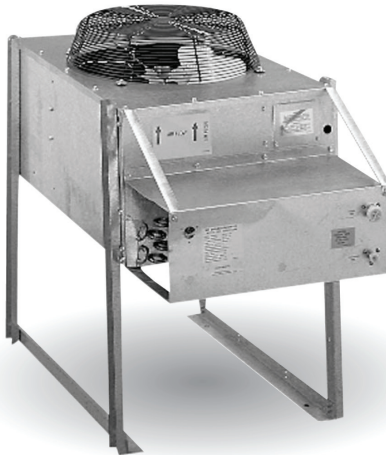


ERC Series

Air Cooled Remote Condensers

ERC402



Features

Operate in wide outdoor temperature range from -20°F to 120°F.

Single or double circuit for single or double unit installations.

Heavy gauge galvanized steel for corrosion resistance.

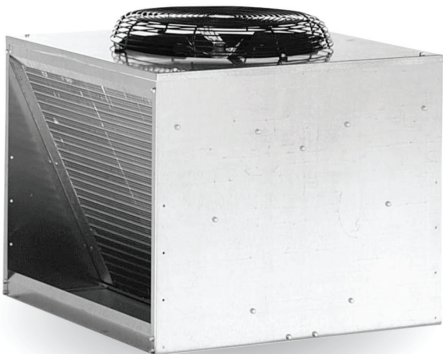
Thermally protected fan motors.

PVC coated steel fan guards.

Direct drive fan blades.

Standard Aero-Quip fittings.

ERC311



Options

Choice of pre-charged, insulated, refrigerant line sets with easy to install quick-connect couplings. Available in 10 ft., 25 ft., 40 ft. and 75 ft. lines

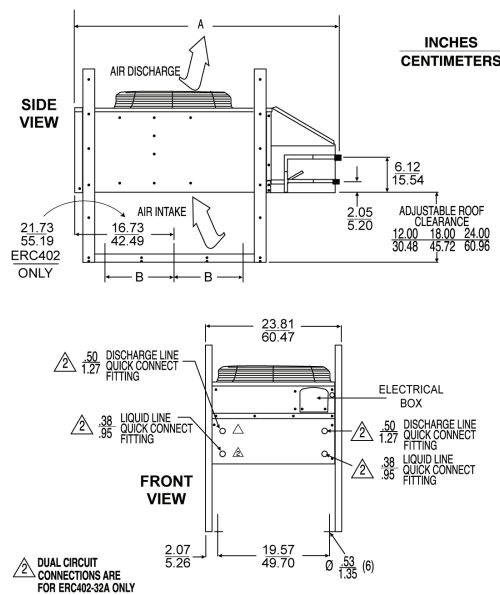


Warranty

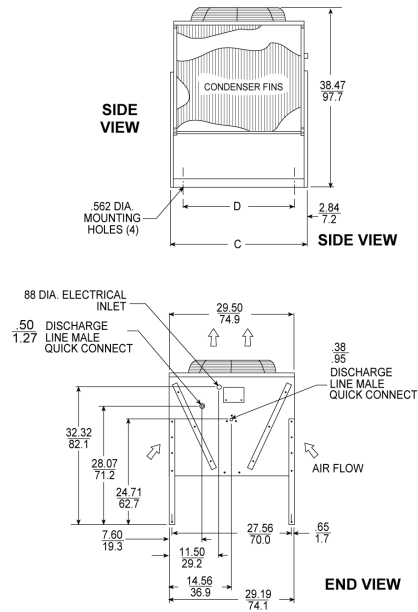
• 3 years parts and labor on all components.

Warranty valid in North, South & Central America.
Contact factory for warranty in other regions.

ERC - Horizontal Coil Series



ERC - Vertical Coil Series



ERC Horizontal Coil Series

| Model Number | A Overall Length | B Mounting Hole Spacing | Voltage | Circuit Wires | Min. Circuit Ampacity | Contains Headmaster? | Shipping Weight lb / kg | Shipping Carton W x D x H |
|--------------|---------------------|-------------------------------|------------------|------------------|--------------------------|-------------------------|-------------------------------|--|
| ERC402-32A | 44.125" | 16.65" | 208-230 / 60 / 1 | 2 | 2.6 | No | 140 / 64 | 29 x 55 x 22 (73.6 x 139.7 x 55.9 cm) |

Note: This unit has a galvanized finish, is 23.8125" wide and has adjustable height legs. Heights are 12", 18" and 24". Total height with legs is 29.25" or 35.25" or 41.25". This unit is designed to be powered by the ice machine it is connected to. The minimum circuit ampacity and maximum fuse size of the ice machine includes the requirements of the remote condenser.

ERC Vertical Coil Series

| Model Number | C Overall Length | D Mounting Hole Spacing | Voltage | Circuit Wires | Min. Circuit Ampacity | Contains Headmaster? | Shipping Weight lb / kg | Shipping Carton W x D x H |
|--------------|---------------------|-------------------------------|------------------|------------------|--------------------------|-------------------------|-------------------------------|---|
| ERC111-1A | 29.125" | 23.54" | 115 / 60 / 1 | 1 | 2.7 | Yes | 95 / 43 | 32 x 31 x 34 (81.3 x 78.7 x 86.4 cm) |
| ERC311-32A | 29.125" | 23.54" | 208-230 / 60 / 1 | 1 | 2.6 | Yes | 130 / 59 | 32 x 34 x 34 (81.3 x 78.7 x 86.4 cm) |
| ERC611-32A | 37.75" | 32.16" | 208-230 / 60 / 1 | 1 | 1.9 | Yes | 140 / 64 | 31 x 33 x 39 (81.3 x 78.7 x 99.1 cm) |

Note: All units have a galvanized finish, are 29.5" wide and 38.5" high with legs. These units are designed to be powered by the ice machine they are connected to. The minimum circuit ampacity and maximum fuse size of the ice machine includes the requirements of the remote condenser. All but the ERC611 have 1/2" discharge and 3/8" liquid line connections. The ERC611 has a 5/8" discharge line connection.

Options: KERCF air filter kit fits ERC111-1A and ERC311-32A

Operating Requirements

| | Minimum | Maximum |
|--------------------|-------------------|-------------------|
| Air Temperatures | 50°F (10°C) | 100°F (38°C) |
| Water Temperatures | 40°F (4.4°C) | 100°F (38°C) |
| Remote Cond. Temps | -20°F (-29°C) | 120°F (49°C) |
| Water Pressures | 20 PSIG (1.4 bar) | 80 PSIG (5.5 bar) |
| Electrical Voltage | -10% | +10% |

Specifications and design are subject to change without notice.