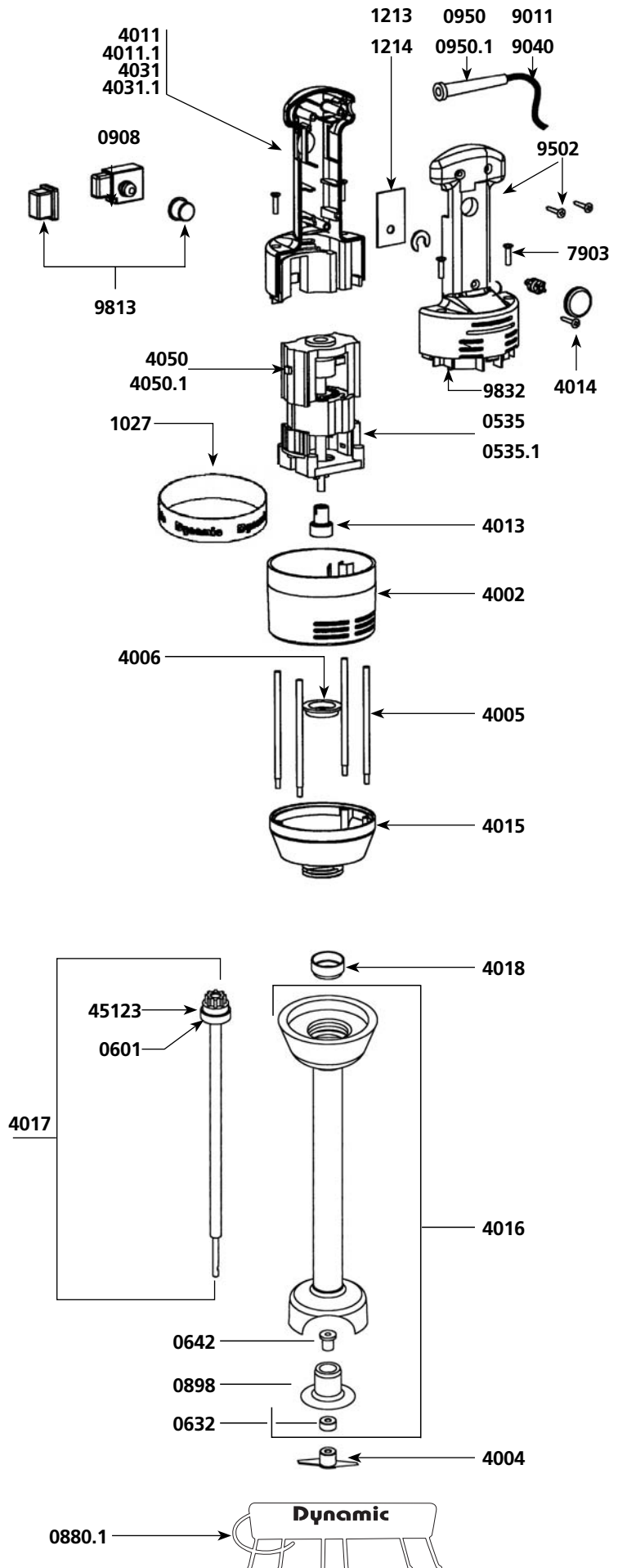


JUNIOR PLUS & JUNIOR COMBI

Power unit

Parts list

	Code	List \$ Price
Stator 230 V	0535	167,36
Stator 115 V	0535.1	167,36
Ball bearing	0601	14,08
Wall bracket	0880.1	72,79
Non-locking switch	0908	29,49
Strain relief 230V	0950	2,46
Strain relief 115V	0950.1	2,46
Dynamic label	1027	12,27
Id label (Junior Plus) 230V	1084	5,28
Id label (Junior Plus) 115V	1085	5,28
Id label (Junior Combi) 230V	1086	5,28
Id label (Junior Combi) 115V	1087	5,28
Speed variator 230V	1213	97,59
Speed variator 115V	1214	84,79
Upper motor housing	4002	24,09
Spacer rods (4)	4005	15,56
Ball bearing sleeve	4006	4,42
Complete handle w/ power cord 230V	4010	106,67
Complete handle w/ power cord 115V	4010.1	106,67
Lower half handle w/ Junior Plus label 230V	4011	28,69
Lower half handle w/ Junior Plus label 115V	4011.1	28,69
Filtering capacitor	4012	17,18
Coupling	4013	13,22
Speed variator knob	4014	13,22
Lower aluminium motor housing	4015	114,51
Complete handle w/ power cord 230V	4030	106,67
Complete handle w/ power cord 115V	4030.1	106,67
Lower half handle w/ Junior Combi label 230V	4031	28,69
Lower half handle w/ Junior Combi label 115V	4031.1	28,69
Motor brushes (2) 230 V	4050	12,76
Motor brushes (2) 115 V	4050.1	12,76
Spacer screws (4)	7903	4,57
Power cord 230 V	9011	21,85
Power cord 115 V	9040	27,34
Power cord (Australian)	9066	54,78
Power cord (English)	9067	49,85
Handle screws (3)	9502	0,61
Switch protector	9813	8,51
Upper half handle Junior Plus & Junior Combi	9832	25,76
Complete motor block (see machine catalog)	AC100	-

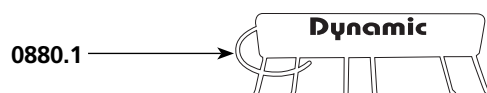


Complete foot assembly

Parts list

	Code	List \$ Price
Waterproof seal	0632	8,55
Bushing	0642	1,89
Bearing only	0898	16,28
Cutter blade	4004	28,92
Foot assembly	4016	183,54
Kit w/shaft and coupling hub	4017	79,30
Ball bearing sleeve	4018	3,98
Coupling hub	45123	22,25
Complete Junior foot (see machine catalog)	AC101	-

IMPORTANT : Each spare part order must include the type and the number of the product which appears on the identification plate.



Whisk tool

Parts list

Code List \$ Price

Ball bearing	0601	14,08
Pins 3 x 10	0638	0,53
Pins 3 x 20	0744	1,98
Open head locking washer (unit)	0766	1,37
Entry gear	0837A	29,37
Lower motor whisk housing	4019	119,57
Equipped upper shaft (complete)	4020	64,90
Plate w/ seals and screws	4021	38,44
Holder assembly screws (4)	4022	4,17
Reduction gear assembly	4025	262,95
Middle gear & shaft	9420	84,79
Equipped output axle w/ 2 gears+pins	9421	80,70
Holder assembly w/ 3 self lubricating rings	9422	42,86
Whisk tool (2)	9424	77,27
Coupling hub	45123	22,25
Upper driving shaft	089947	30,84
Complete Junior Whisk tool (see machine catalog)	AC102	-

