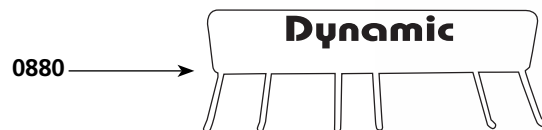
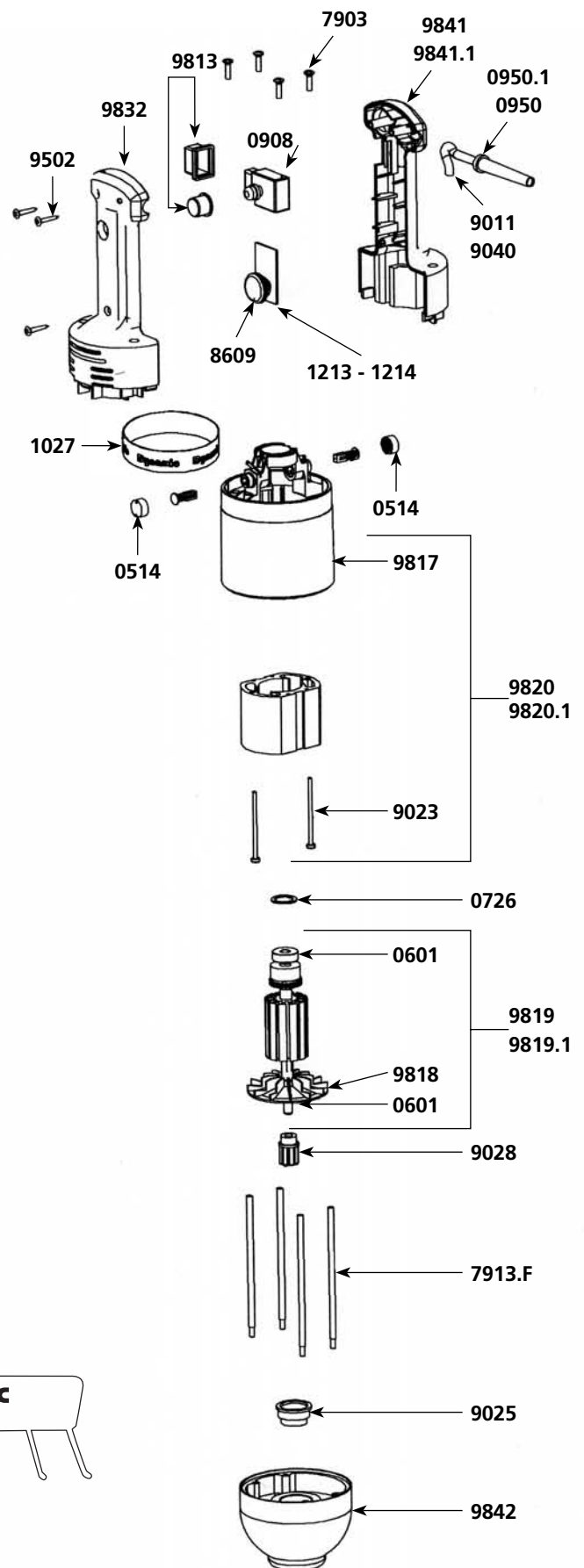


MOTOR BLOCK PMDH / PMF 250

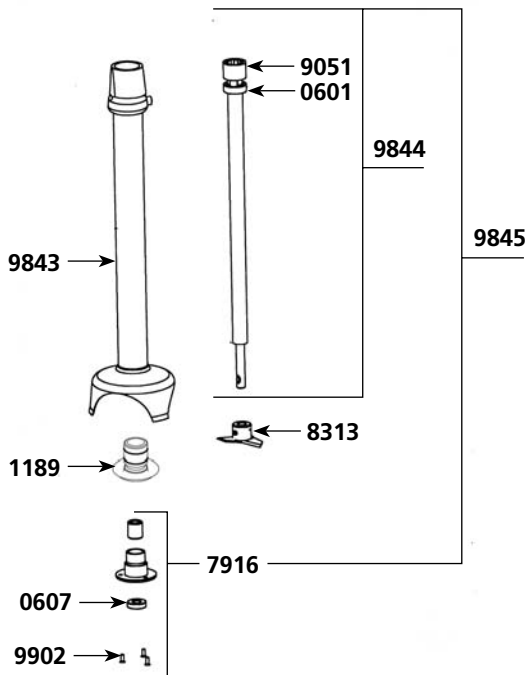
Parts list

Code List \$ Price

Motor brushes (2)	0514	14,08
Ball bearing	0601	14,08
Squeezing washer	0726	1,98
Wall bracket	0880	8,23
Non-locking switch	0908	29,49
Capacitor	0909	12,48
Strain relief 230 V	0950	2,46
Strain relief 115V	0950.1	2,46
Warning label	1017	4,95
Dynamic label	1027	12,27
Label w/ serial number 230 V	1071	5,16
Label w/ serial number 115 V	1072	5,16
Variable speed control board 230 V	1213	97,59
Variable speed control board 115 V	1214	84,79
Spacer screws (4)	7903	4,57
Spacer rods (4)	7913.F	15,87
Variable speed control knob	8609	13,73
Power cord 230 V	9011	21,85
Motor field screws (2)	9023	3,72
Ball bearing sleeve	9025	4,30
Coupler for armature	9028	9,37
Power cord 115 V	9040	27,34
Handle screws (3)	9502	0,61
Switch protector	9813	8,51
Upper motor casing	9817	43,91
Fan	9818	10,13
Rotor w/o coupling 230 V	9819	237,62
Rotor w/o coupling 115 V	9819.1	237,62
Stator 230 V w/carter, carbon brushes holders	9820	237,62
Stator 115 V w/carter, carbon brushes holders	9820.1	237,62
Upper half handle	9832	25,76
Complete handle 230 V	9840	124,62
Complete handle 115 V	9840.1	124,62
Lower half handle w/ label 230 V	9841	28,69
Lower half handle w/ label 115 V	9841.1	28,69
Aluminium carter + ball bearing	9842	132,13
BM 250 Motor block (see machine catalog)	AC005	-



PMF - PMDH 250 foot



Parts list

Code List \$ Price

Ball bearing	0601	14,08
Waterproof seal	0607	18,36
Lower bearing assembly support	1189	21,05
Lower bearing assembly	7916	34,12
Cutter blade (w/screw)	8313	37,28
Coupling casing + pins	9051	14,88
Tube assembly + palier + bearing	9843	124,62
Shaft & coupling sleeve	9844	159,57
Shaft, lower bearing & cutter assembly	9845	143,66
Lower bearing screws (3)	9902	1,24
M 250 Complete Mixer tool (see machine catalog)	AC006	-

PMF 250 whisk tool

Parts list

Code List \$ Price

Ball bearing	0601	14,08
Waterproof seal for whisk	0608	18,89
Pin 3 X 20	0744	2,19
Pin 3 X 14	0745	1,98
Spacer screws (4)	7903	4,57
Holder + plastic ejector + seal	8612	64,20
Plastic ejectors (pair)	8613	27,40
Reduction gear assembly	9034	290,59
Lower casing w/o middle gear	9046	240,93
Central double gear & shaft	9048	102,24
Single gear (2) + pin	9049	83,11
Upper plastic casing	9050	84,79
Coupling casing + pin	9051	14,88
Equipped upper shaft	9055	70,63
Complete upper casing	9057	110,20
Whisks (2)	9846	139,67
F 250 Complete Whisk tool (see machine catalog)	AC007	-

