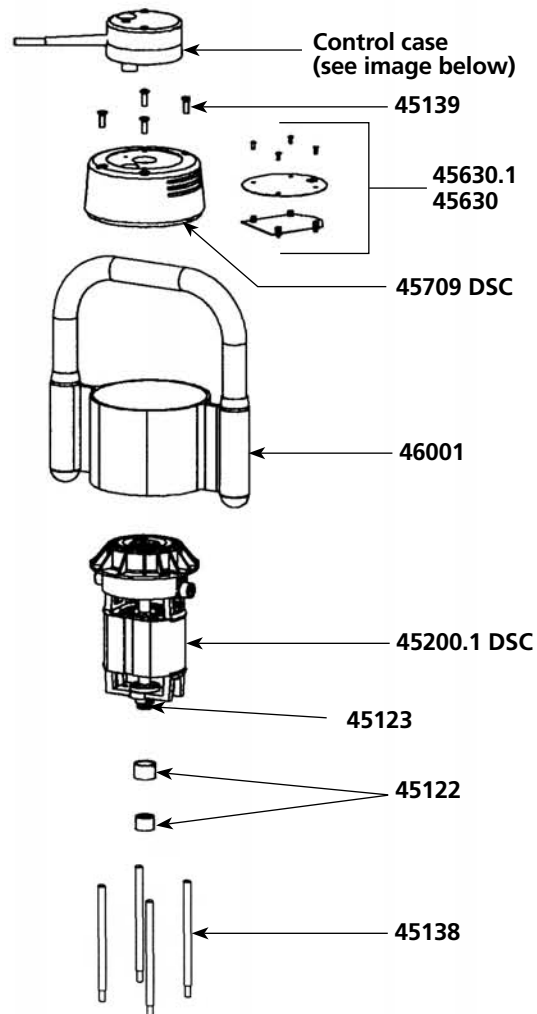


# SMX 600 DSC - 115 V

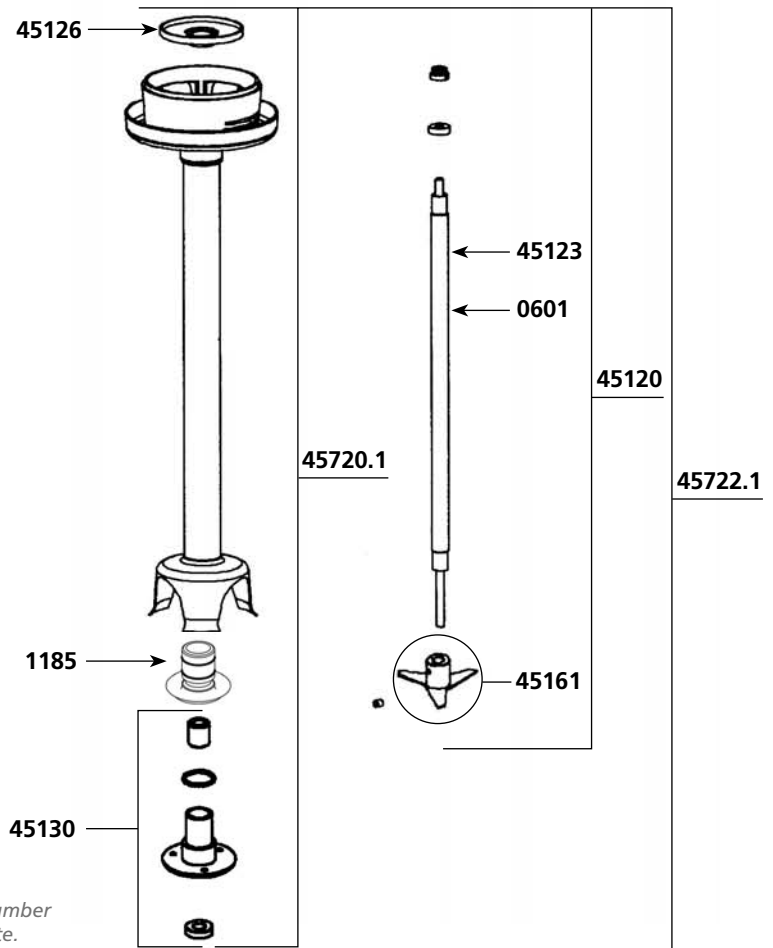
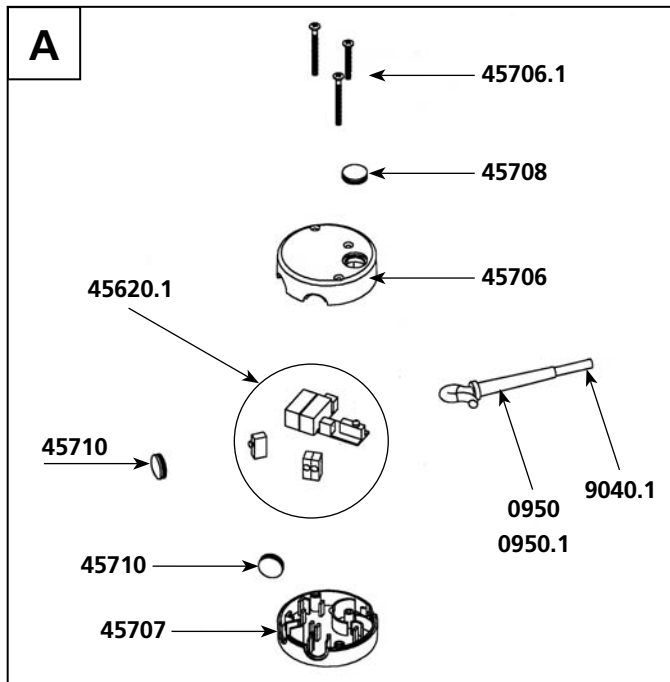
## Parts list

Code List \$ Price

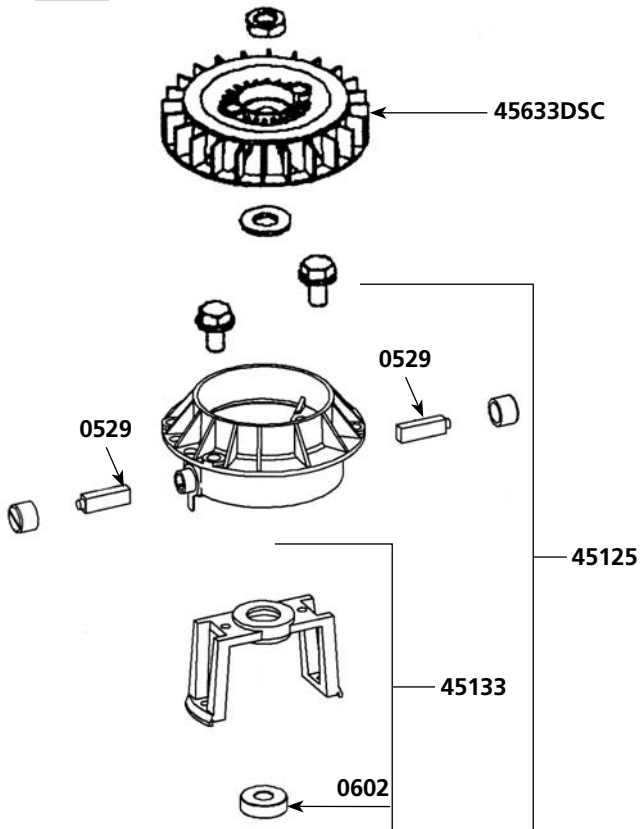
Motor brushes (pair)	0529	15,81
Ball bearing	0601	14,08
Motor ball bearing	0602	16,34
Rubber washer	0760	3,14
Clips	0776	1,20
Washer & bolt for fan	0777	1,20
Wall bracket	0862	20,61
Strain relief 230 V	0950	2,46
Strain relief 115 V	0950.1	2,46
ID label 115 V	1009	13,85
Bearing holder + seal	1185	22,67
Shaft, ball bearing + sprocket	45120	149,97
Coupling sleeves	45122	23,93
Coupler motor + drive sprocket	45123	22,25
Fan housing	45125	138,07
Double isolation plate	45126	15,91
Lower bearing assembly	45130	35,70
Lower motor casing	45132	72,56
Upper motor casing	45133	72,56
Stator 115 V	45135.1	379,39
Rotor 115 V	45136.1	379,39
Motor field screws (4)	45137	2,74



A



**B**

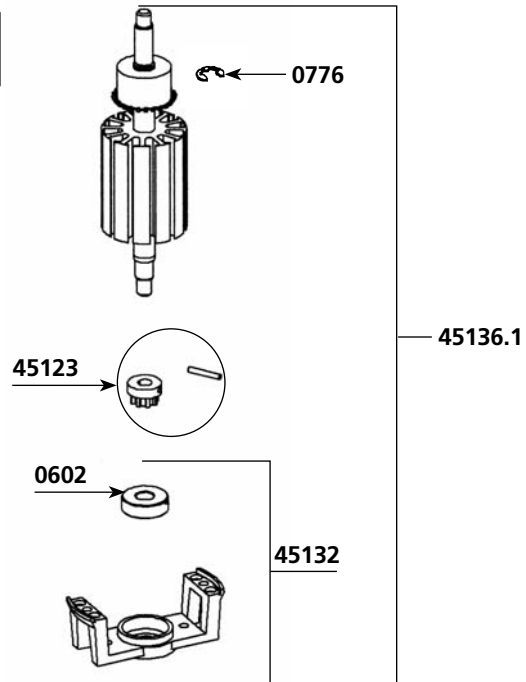


**Parts list**

**Code List \$ Price**

Spacer rods (4)	45138	<b>16,46</b>
Spacer screws (4)	45139	<b>2,86</b>
Cutter blade w/screw	45161	<b>41,09</b>
Motor 115 V (complete)	45200.1DSC	<b>589,61</b>
Squeezing washer (4)	45230	<b>6,08</b>
Sleeve & complete handle & label & cap	45709DSC	<b>219,84</b>
Kit w/ shaft, lower bearing, coppler, cutter	45533	<b>226,76</b>
Handle cap (2)	45610	<b>5,98</b>
Circuit board	45620.1	<b>129,65</b>
Regulation circuit board	45630.1	<b>134,18</b>
Plastic Fan	45633DSC	<b>16,98</b>
Top housing (orange plastic piece)	45706	<b>19,69</b>
Screws control case set	45706.1	<b>2,07</b>
Lower housing (orange plastic piece)	45707	<b>18,09</b>
Lock button rubber cap (unit)	45708	<b>3,22</b>
Sleeve + handle + label + stopper	46001	<b>125,99</b>
Rubber button cap	45710	<b>3,05</b>
Lower housing w/ screws	45711	<b>34,94</b>
Foot assembly	45720.1	<b>384,07</b>
Complete foot assembly	45722.1	<b>576,40</b>
Power cord 115 V	9040.1	<b>35,41</b>
Lower bearing screws (3)	9902	<b>1,24</b>

**C**



**D**

