



IHC-48

*Powerful refrigeration system capable of faster pull down, higher product loads & lower temperatures*

## IHC SERIES

### Ice Cream Hardening And Holding Cabinets

#### MODELS

- IHC-27
- IHC-48

### FEATURES

#### CONSTRUCTION

- Standard electronic controller
  - Allows user to easily monitor defrost functions from the panel interface on the front of the merchandiser
  - Audible and visual alarm
  - Decreases service time and calls
  - Eliminates room thermostat, defrost termination/fan delay control, defrost timer and digital thermometer or other temperature indicator
- Stainless steel exterior
- Anodized aluminum interior
- Heavy-duty 6"-7" adjustable legs
- 4 heavy-duty welded wire gray epoxy-coated cantilever shelves per section
- 2<sup>1</sup>/<sub>2</sub>" foamed-in-place "zero ODP" urethane insulation

#### DOORS

- Two staggered height, energy saving insulated inner doors with magnetic catches per section

- Self-closing doors with 90° hold-open feature
- Door swing:
  - IHC-27 .....hinged left
  - IHC-48..... left door hinged left, right door hinged right
- Sure-sealing magnetic gaskets (replaceable)
- Heavy-duty horizontal door handle
- Anti-condensate door frame heater provided through discharge liquid line
- 2" stainless steel foamed-in-place doors
- Lift-off inner and outer doors

#### REFRIGERATION

- Refrigerant: R290
- Self-contained, top mounted, hermetic refrigeration system (1 condensing unit on IHC-27, two on IHC-48)
- Minimum 4" clearance required between cabinet back and wall
- Temperature range: 0° to -30°F (-18° to -34°C)
- R-factor (insulation efficiency rating): 21.55 on walls, 17.24 on doors

- **Drain plumbing hookup recommended. Condensate pan available if there is no access to drain plumbing. Condensate pan must be field installed and requires a dedicated 15 amp, 120 volt circuit.**

#### WARRANTY

- Standard limited two year parts and labor
- Additional three year coverage on compressor part

### OPTIONS

- Casters
- Extra welded wire gray epoxy-coated cantilever shelves
- Pan rack
- Condensate evaporator drain pan  
*NOTE: Must be field installed and requires a dedicated 15A, 120v circuit.*



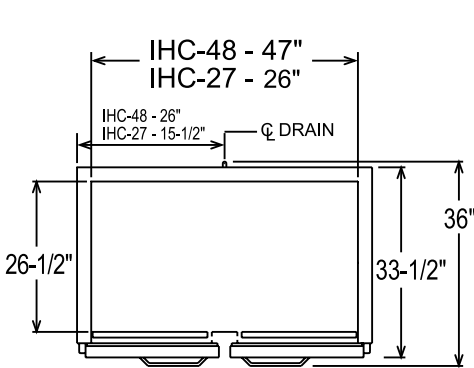
# IHC SERIES

## ICE CREAM HARDENING AND HOLDING CABINETS

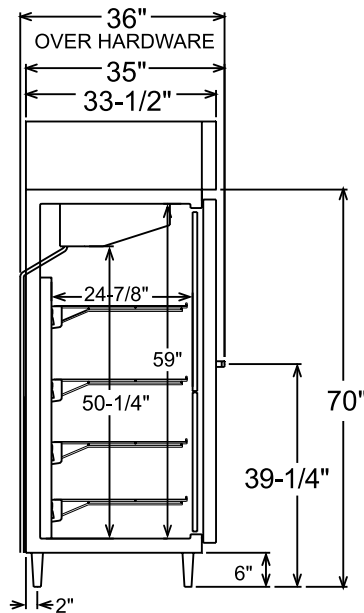
### TECHNICAL SPECIFICATIONS

MODEL	DIMENSIONS (in.)			DIMENSIONS (mm)			VOLTS	AMPS	UNIT H.P.	NO. OF SECTIONS	NO. OF SHELVES	STANDARD SHELF SIZE (in inches)	CAP. 3 GAL. CANS	SHIP CU. FT.	SHIP WT. LB/KG
	L	D	H*	L	D	H*									
IHC-27	31	36	82	787	914	2083	115	5.5	5/6 (1 unit)	1	4	23 <sup>3</sup> / <sub>8</sub> x 24 <sup>5</sup> / <sub>8</sub>	20	76.0	590/268
IHC-48	52	36	82	1321	914	2083	115	16.0	5/6 (2 units)	2	8	22 x 23 <sup>1</sup> / <sub>2</sub>	43	119.0	840/382

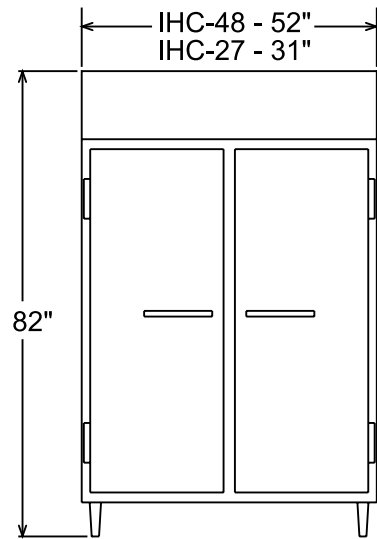
\*Height includes 6-7" adjustable legs.



PLAN VIEW



SIDE VIEW



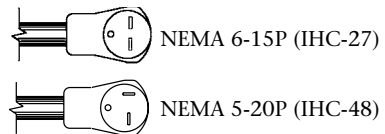
ELEVATION VIEW

### LISTINGS



### HOOKUP

Via plug in, 8 foot long, flexible 3 wire 14/3 cord with molded plug.



### BID SPECIFICATIONS

Item no. IHC-\_\_\_\_\_ Provide \_\_\_\_\_ ( ) Ice Cream Hardening and Holding Cabinet(s), Master-Bilt® model no. IHC-\_\_\_\_\_.

Cabinet will be equipped with an electronically controlled monitoring system. It will also be provided with 6"-7" adjustable legs, four welded wire,

gray epoxy-coated cantilever shelves, 2 1/2" foamed-in-place "zero ODP" urethane insulated walls. Cabinet to have stainless steel exterior and anodized aluminum interior.

Cabinet also to have 2" stainless steel, self-closing, foamed-in-place doors. Interior doors to be provided with cabinet.

The refrigeration system is to be top mounted, self-contained and use R290 refrigerant. The temperature range will be 0° to -30°F (-18° to -34°C).

Cabinet to have standard limited two year parts and labor with additional three year coverage on compressor part.

Cabinet to be UL, C-UL and NSF listed.

**NOTE: Cabinet designed for optimum performance in air-conditioned area at 75°F ambient and 55% relative humidity. All specifications subject to change without notice.**



908 Highway 15 North • New Albany, MS 38652  
PHONE: 800-647-1284 or 662-534-9061 • FAX: 800-232-3966 or 662-534-6049 • www.master-bilt.com

