



IM-F SERIES

Outdoor And Indoor Ice Merchandisers

OUTDOOR MODELS

- IM-38F
- IM-60F

INDOOR MODEL

- IM-45GF

FEATURES

CONSTRUCTION

- 26 gauge pre-painted steel exterior
- 26 gauge galvanized steel interior
- Anti-sag support channels
- Air circulation channels on all four walls
- Floor racks for uniform air circulation
- Top mounted sign
- 2" thick walls and 3" thick top & bottom foamed-in-place "zero ODP" polyurethane insulation
- Bold product messages on sides and front
- Padlock storage provision on outdoor cabinets
- Interior lighting on indoor cabinets
- Solid plastic feet
- Electronic control system:
 - Digital readout
 - Eliminates mechanical thermostat, defrost timer and defrost terminator switch

DOORS

- Outdoor cabinets only:
 - Insulated with PVC magnetic positive seal gasket
 - Self-closing
- Indoor cabinet only:
 - Triple pane glass with PVC magnetic positive seal gasket
 - Self-closing

REFRIGERATION

- Refrigerant: R-404A
- Self-contained, top mount refrigeration system
- Temperature range: 10° to 20°F (-12° to -7°C)
- Automatic electric defrost

WARRANTY

- Standard limited one year parts and labor
- Additional four year coverage on compressor part

OPTIONS

- Kickplate
- Door opening ice breaker bar
- Electric condensate evaporator pan
- 4" casters with perimeter frame
- Thermostatic expansion valve
- 24" fluorescent light (indoor model only)
- 24" LED light (indoor model only)
- Shelves (indoor model only)



IM-F SERIES

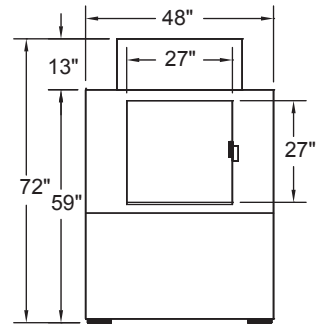
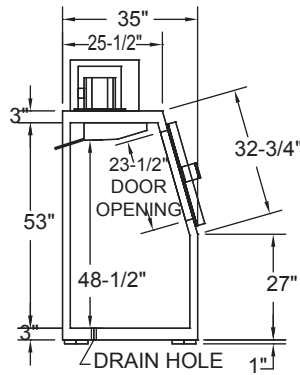
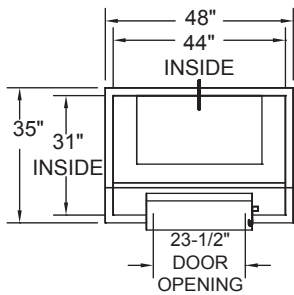
INDOOR AND OUTDOOR ICE MERCHANDISERS

TECHNICAL SPECIFICATIONS

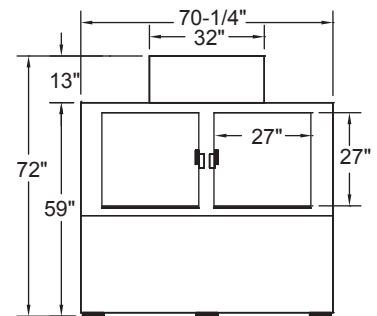
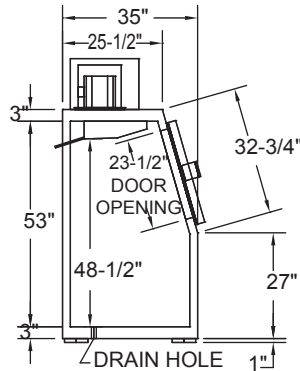
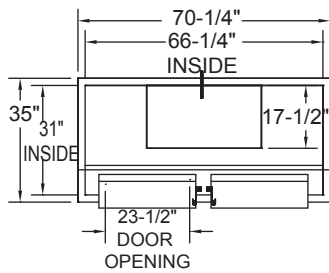
MODEL	DIMENSIONS (in.)			DIMENSIONS (mm)			VOLTS	AMPS	UNIT H.P.	CAPACITY 7 LB. BAGS	SHIP WT. LB/KG
	L	D	H	L	D	H					
IM-38F	48	35	72	1219	889	1829	115	5.8	1/4	130	385/175
IM-60F	70 ¹ / ₄	35	72	1784	889	1829	115	8.3	1/3	220	500/227
IM-45GF*	48	30	79	1219	762	2007	115	6.4	1/4	132	405/184

*Single glass door model for indoor use only.

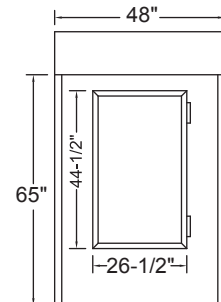
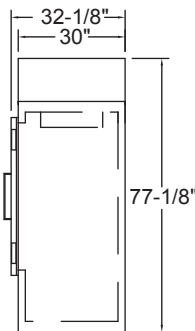
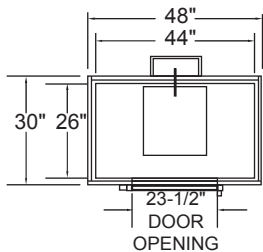
IM-38F



IM-60F



IM-45GF INDOOR MODEL



PLAN VIEW

SIDE VIEW

ELEVATION VIEW



NOTE: All specifications subject to change without notice.



908 Highway 15 North • New Albany, MS 38652
 PHONE: 800-647-1284 or 662-534-9061 • FAX: 800-232-3966 or 662-534-6049 • www.master-bilt.com

