



MBGRP48-SL



MBGRP-SL SERIES

Bottom Mounted
 Slide Glass Door
 Refrigerator Merchandisers
 With Lighted Sign

MODELS

- MBGRP48-SL
- MBGRP74-SL

FEATURES

CONSTRUCTION

- Standard interior LED lighting
- Electronic digital thermostat
- 24 gauge painted textured galvanized steel interior and exterior
- Standard exterior finishes: Black or white
- Standard interior finish: White with stainless steel floor
- Top backlit graphic panel (standard blank sign applied without graphics)
- 1³/₄" thick state-of-the-art, foamed-in-place "zero ODP" polyurethane insulation provides high R-value
- Adjustable legs for leveling
- Four adjustable heavy-duty epoxy-coated shelves per door adjustable on 1/2" pilasters
- Standard price tag molding for shelves
- Merchandiser profile matches other Fusion Plus refrigerator and freezer models

DOORS

- Auto-close, double pane, safety glass doors
- Contemporary style black door frame

REFRIGERATION

- Self-contained bottom mount refrigeration system designed for optimum energy efficiency and low noise
- Top mounted, low profile interior evaporator housing
- Energy-free condensate removal
- Refrigerant: R-134a
- Temperature range: 34° to 41°F (1° to 5°C)

WARRANTY

- **Standard limited three year parts and labor**
- **Additional two year coverage on compressor part**

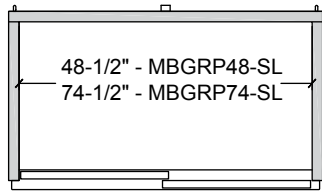
OPTIONS

- Casters
- Additional shelving

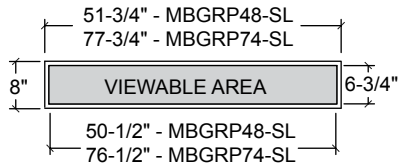
TECHNICAL SPECIFICATIONS

MODEL	DIMENSIONS (in.)			DIMENSIONS (mm)			VOLTS	AMPS	UNIT H.P.	NO. OF DOORS	NO. OF SHELVES	SHELF SIZE (in.)	WEIGHT CAP. PER SHELF (LB/KG)	CAP. CU. FT.	SHIP WT. (LB/KG)
	L	D*	H	L	D*	H									
MBGRP48-SL	52	31	79	1321	787	2007	115	6.9	1/3	2	8	23 ¹ / ₂ L x 21 ¹ / ₂ D	92/42	45.7	530/241
MBGRP74-SL	78	31	79	1981	787	2007	115	7.7	1/2	3	12	23 ¹ / ₂ L x 21 ¹ / ₂ D (ends), 25 ¹ / ₂ L x 21 ¹ / ₂ D (center)	92/42 (ends), 105/48 (center)	70.2	715/325

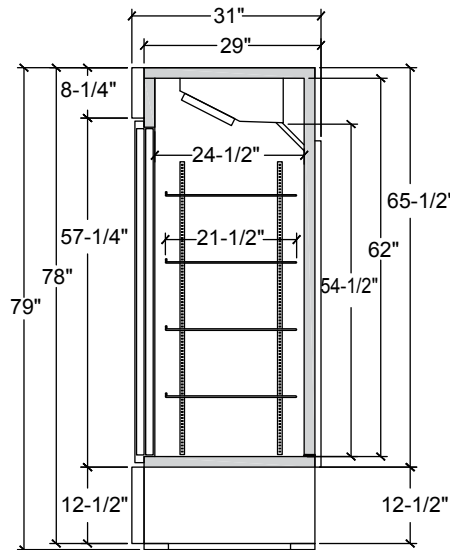
*Includes rear drainline cover.



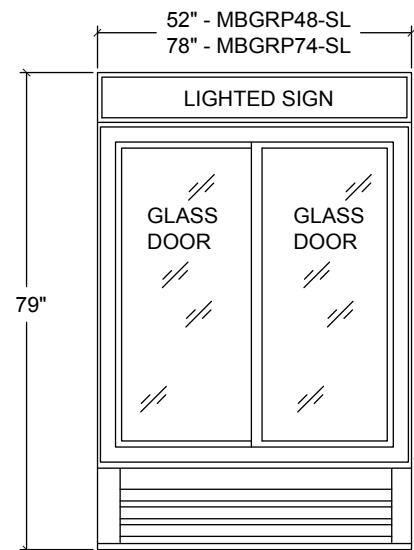
PLAN VIEW



GRAPHIC PANEL DIMENSIONS



SIDE VIEW



ELEVATION VIEW

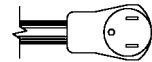
LISTINGS



- Listed under NSF-7 for the storage and/or display of packaged food
- Meets Canadian energy efficiency regulations

HOOKUP

All models via plug in, 10 foot long, flexible three wire 14/3 cord with molded plug.



NEMA 5-15P

BID SPECIFICATIONS

Item no. MBGRP____-SL. Provide _____ Bottom Mounted Slide Glass Door Refrigerator Merchandiser(s) With Lighted Sign, Master-Bilt® model no. MBGRP____-SL.

Merchandiser will be constructed of 24 gauge painted textured galvanized steel interior and exterior. Standard equipment will include interior LED lighting, top backlit graphic panel and four epoxy-coated shelves

per door adjustable on 1/2" pilasters.

Doors will be auto-close, double pane, heated safety glass doors with heated frames.

Refrigeration system will be self-contained and designed for optimum energy efficiency and low noise. Also standard will be an energy-free condensate removal system.

The refrigerant will be R-134a and the temperature range will be 34° to 41°F (1° to 5°C)

Merchandiser to have standard limited three year parts and labor warranty with additional two year coverage on compressor part.

Merchandiser to be UL and C-UL listed & UL EPH classified. Merchandiser will also meet Canadian energy efficiency regulations.

NOTE: Cabinet designed for optimum performance in air-conditioned area at 75°F ambient and 55% relative humidity. All specifications subject to change without notice.