



CLASSIC STEAMRO, JR. HOT DOG STEAMER Model 35SSC

Features/Benefits:

- ★ Steam hot dogs to perfection with the classic Steamro Jr. hot dog steamer.
- ★ Features top loading design for easy access to your hot dogs, buns and more!
- ★ Lid design opens to the side for easy and safe operation.
- ★ Side by side design provides more control of heat and humidity to satisfy all your steaming needs.
- ★ Bun compartment features a humidity control system and a bun rack to keep buns warm and fresh.
- ★ Powerful element for fast heat up and consistent temperature and humidity control.
- ★ Adjustable thermostat ensures quick start up and fast recovery for peak operating times.
- ★ Large capacity six quart water pan for all day steaming.
- ★ Full view tempered glass on both the operator's and customer's side for excellent merchandising.
- ★ Front drain valve for easy cleaning.
- ★ Hot dog juice tray keeps your water pan clean (optional accessory).
- ★ Attractive scratch resistant graphics on both operator and customer sides build impulse sales.

Applications:

Designed for snack bars, stadiums, ball parks, arenas, convention centers, fast food chains or other foodservice operations; Star's Classic Steamro, Jr. Hot Dog and Bun Steamer is ideal for a variety of foodservice operations.

Quality Construction:

Constructed of stainless steel body, tempered glass and two stainless steel lift off lids. Equipped with powerful immersion type element. Shipped with a six foot lead-in cord and NEMA 5-15 grounded plug (CEE7-7 for 230V) for easy "out of box" installation.

Warranty:

Classic Steamro Jr. hot dog steamer is covered by Star's one year parts and labor warranty.



Model 35SSC
Customer Side



Model 35SSC
Operator Side



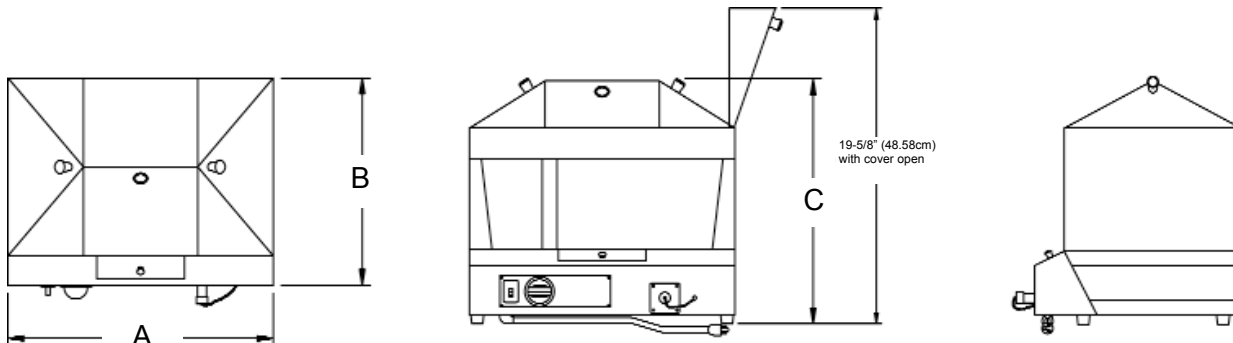
Classic Steamro, Jr. Hot Dog Steamer



Star Manufacturing International, Inc.

Classic Steamro, Jr. Hot Dog Steamer

CLASSIC STEAMRO, JR. HOT DOG STEAMER Model 35SSC



Capacity

Model No.	Hot Dogs Per Load (Standard Size)	Buns Per Load	Water Pan
35SSC	130	30-40	6 qts.

*Capacities will vary according to types and brands of hot dogs, bratwurst, etc.

Specifications

Model No.	Dimensions			Voltage	Wattage	AMPS	NEMA Plug #	Approximate Weight	
	(A) Width Inches (cm)	(B) Depth Inches (cm)	(C) Height Inches (cm)					Installed (kg)	Shipping (kg)
35SSC	18	15	15-5/8	120	1000	8.3	5-15P	22 lbs.	26-1/2 lbs.
	(45.7)	(38.1)	(39.7)	230	919	4	CEE7-7	(55.9)	(67.3)

Accessories

Model #	Description
35T	Juice Tray

Typical Specifications

Model 35SSC side-by-side hot dog steamer is constructed of stainless steel with two individual removable stainless steel lids on both sides of unit for easy and safe access to hot dogs and buns. Unit has a six quart capacity stainless steel water pan and supplied with a convenient front drain valve. The unit is equipped with a 1000 watt tubular immersion type element, adjustable thermostat, on-off switch and 6ft. lead-in cord with grounded plug. Unit is UL, NSF, ISO and CE approved. Printed in the USA.

Due to periodic changes in designs, methods, procedures, policies and regulations, the specifications contained in this sheet are subject to change without notice. While Star Manufacturing exercises good faith efforts to provide information that is accurate, we are not responsible for errors or omissions in information provided or conclusions reached as a result of using the specifications. By using the information provided, the user assumes all risks in connection with such use.

Star Manufacturing International Inc. - 10 Sunnen Drive - P.O. Box 430129 - St. Louis, MO 63143-3800
Phone: (800) 264-7827 - FAX: (800) 264-6666 - www.star-mfg.com