



Job _____ Item No. _____

Star-Max® Gas Stock Pot Range

□601SPRF



DESCRIPTION

Star-Max® stock pot range is designed for years of maintenance free operation and reliable cooking performance. Use the stock pot range to cook, heat or sauté your menu items to perfection. High performance 110,000 BTUs (90,000 LP) two-piece ring-type cast iron burner provide maximum cooking performance

SPECIFICATIONS

Star-Max® stock pot range is constructed of stainless steel front, a stainless steel bull nose and aluminized steel drip pan for long lasting durability. Units are shipped from the factory for operation on natural gas. Propane gas conversion can be accomplished in the field by changing orifices (supplied with units) and regulator setting. Gas stock pot range has heavy duty one-piece cast iron top grate, two-piece ring type heavy-duty 110,000 BTU (90,000 LP) burner, 2 standing pilots, 1/4 turn on-off manual control valves and convertible pressure regulator, and 6" adjustable legs. Unit operates on natural or propane gas. Stock Pot Range is cULus and UL EPH certified

WARRANTY

These units come with a two [2] year warranty for parts and labor.

FEATURES

- High performance 110,000 BTUs (90,000 LP) two-piece ring-type cast iron burner provide maximum cooking performance
- Heavy-duty metal knobs look great and are designed to last
- Heavy-duty one-piece cast iron grate handles a variety of pots and stands up to constant use
- Standing pilot for easy ignition
- Manual on/off control valve has 1/4 turn for easy temperature control
- Shipped Natural Gas ready with LP conversion kit included
- Cool-to-the-touch stainless steel bull nose front provides knob protection and comfortable work zone
- Removable crumb tray for easy cleaning
- Heavy-duty 6" legs with a 1-1/2" adjustment to fit any size operation

CERTIFICATIONS



STAR MANUFACTURING INTERNATIONAL INC.

10 Sunnen Drive • Saint Louis, Missouri 63143
Telephone 800 264 7827 • Fax 314 781 5445
www.star-mfg.com

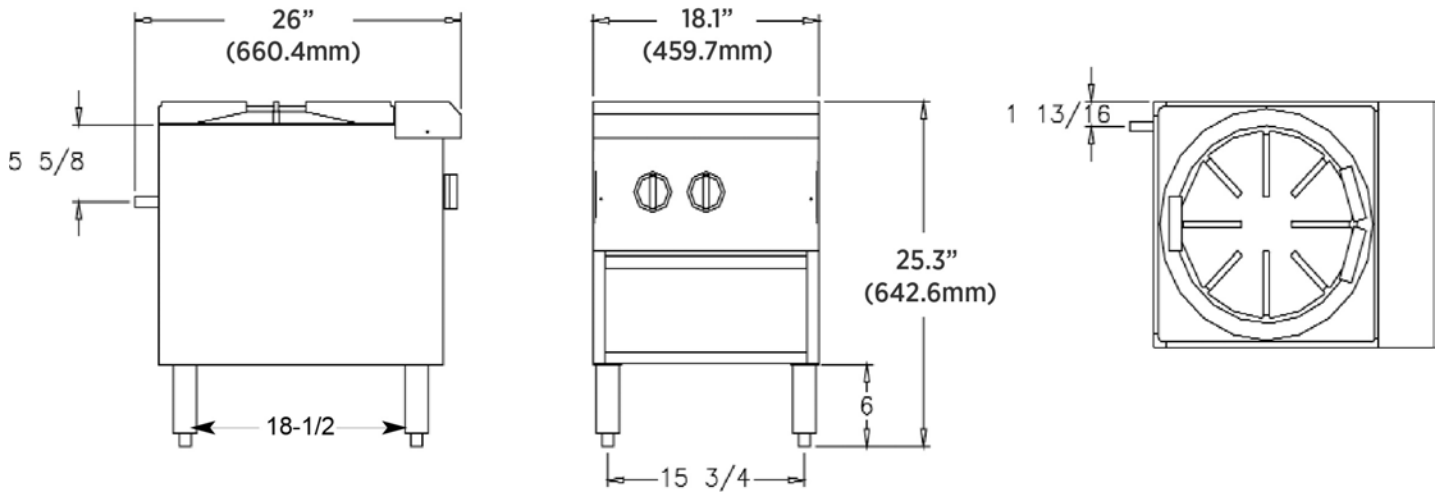


Printed in the U.S.A. • 2M-ZZxxxx • Rev - • 3.2017
Specifications are subject to change without notice
and are not intended for installation purposes.



Star-Max® Gas Stock Pot Range

□601SPRF



CLEARANCES

These units can be installed on non-combustible countertops using the provided six [6] inch (152.4 mm) legs or on a combustible floor using a minimum 27-inch (636 mm) tall stand. The back and both sides must be at least three [3] inches (76 mm) from any combustible surface.

MODEL	HEIGHT ¹ in. (mm)	WIDTH in. (mm)	DEPTH in. (mm)	BTU ² (LP)	TYPE CONNECTIONS	APPROX. SHIP WEIGHT	APPROX. WEIGHT INSTALLED
601SPRF	25.3 (642.6)	18.1 (459.7)	26 (660.4)	110,000 (90,000)	3/4" (1.9 cm) N.P.T. Male	140 lb. (63.6 kg)	123 lb (55.9 kg)

¹Adjustable up to 1.5 in (38.1mm) ²All units ship for natural gas service. Propane conversion kits included

Due to periodic changes in designs, methods, procedures, policies and regulations, the specifications contained in this sheet are subject to change without notice. While Star Manufacturing exercises good faith efforts to provide information that is accurate, we are not responsible for errors or omissions in information provided or conclusions reached as a result of using the specifications. By using the information provided, the user assumes all risks in connection with such use.



STAR MANUFACTURING INTERNATIONAL INC.

10 Sunnen Drive • Saint Louis, Missouri 63143

Telephone 800 264 7827 • Fax 314 781 5445

www.star-mfg.com

Printed in the U.S.A. • 2M-Z2xxxx • Rev - • 3.2017
Specifications are subject to change without notice
and are not intended for installation purposes.