

New **VENT-MAX™ TWO-SIDED GRILL VENTILATION SYSTEMS**
Model CV1L & CV1R

Features/Benefits:

- ★ Vent-Max™ Ventilation System provides flexibility in foodservice equipment layout.
- ★ Designed for Star Grill Express and Pro-max 10" two-sided grills.
- ★ Vent removes smoke, grease-laden air, moisture and odors, improving the environment for kitchen staff and patrons.
- ★ Allows enough room to fully raise tops of Star Grill Express and Pro-Max 10" two sided grills.
- ★ Cleansed air recirculates through multi-directional louver in base.
- ★ Easy cleaning, no tools required to replace filters.
- ★ No installation. Minimal assembly required.
- ★ Exterior dimension: 26"W x 29 3/4"D x 31 1/4".
- ★ Standard 120V Power.
- ★ *Pro-Max GR14 and CG14 models require 4" front base extension accessory.*
- ★ *Pro-Max GR28 and CG28 models require 4" front base extension and two 2" side extension accessories.*



Model CV1L

Applications:

Vent-Max™ Ventilation System is a countertop ventilation system for small appliances located outside the range of a kitchen ventilation hood. Vents go *anywhere* with access to standard 120V power. Special air capture hoods designed to handle odor, grease and smoke produced by different appliances.

Quality Construction:

Stainless Steel body. Angled baffle grease filter, cleanable and reusable. Electrostatic material particulate filter to remove smaller particles in the air- disclosable. Removable grease collection container. No installation. Minimum assembly required. Unit must be placed on a level surface and is furnished with adjustable feet.

Warranty:

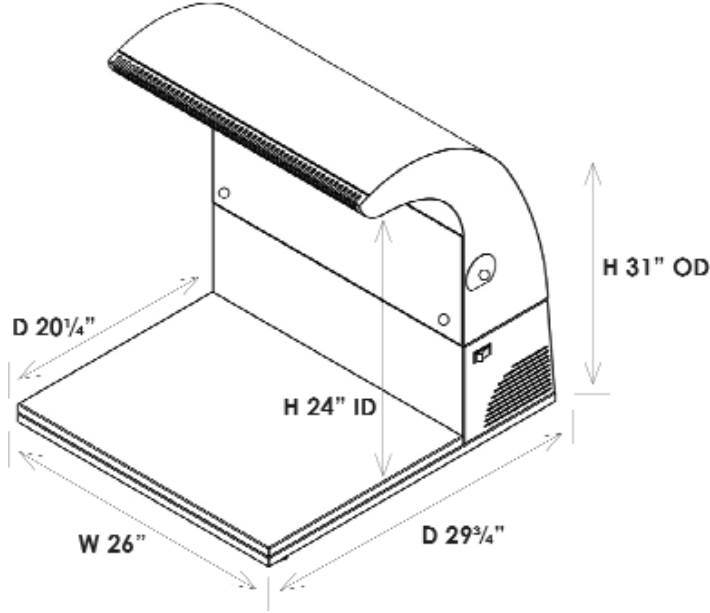
Vent-Max™ Ventilation System is covered by Star's one year parts and labor warranty. Excludes filters.





New VENT-MAX™ TWO-SIDED GRILL VENTILATION SYSTEMS

Models CV1L & CV1R



Specifications

MODEL NO.	WIDTH (CM)	DEPTH (CM)	HEIGHT (CM)	VOLTAGE	AMPS	WATTS	PLUG TYPE	Approximate Weight SHIPPING (LBS)
CV1L/CV1R	26" (66.1)	29-3/4" (74.5)	31" (78.7)	120V	5.5	350	NEMA 5-15P	180
Base	26" (66.1)	20-1/4" (51.4)	-					

NOTE: Unit must be placed on level surface.
Clearances: 2" at right and left sides; 1" at rear – allow 8" for removal of grease cup on right.
Height of base with feet: 4 1/4"

ACCESSORIES

- CVA-SIDE - 2" side extensions for use with CG28 and GR28 Pro-Max two-sided grills.
- CVA-FRONT - 4" front extension for use with CG14, GR14, CG28 and GR28 Pro-Max two-sided grills.
- CV-GF Grease Filter
- CV-PF Particulate Filter
- CV-CF Carbon Filter

Due to periodic changes in designs, methods, procedures, policies and regulations, the specifications contained in this sheet are subject to change without notice. While Star Manufacturing exercises good faith efforts to provide information that is accurate, we are not responsible for errors or omissions in information provided or conclusions reached as a result of using the specifications. By using the information provided, the user assumes all risks in connection with such use.

Star Manufacturing - 10 Sunnen Drive - P.O. Box 430129 - St. Louis, MO 63143-3800
Phone: (314) 678-6303 - FAX: (314) 781-5445 - www.star-mfg.com