



HOT FOOD MERCHANDISERS

Models HFM1-2, HFM2-5, HFM1-3 & HFM2-7

Features/Benefits:

- ★ Star's Hot Food Merchandisers display your menu items while keeping them fresh and warm until served.
- ★ Single and double shelf models accommodate any volume foodservice operation and available in 35" and 45" widths.
- ★ Infinite controls hold your menu items at proper serving temperature.
- ★ Tempered glass doors on operator's side slide open and close to easily replenish/change menu items.
- ★ Stainless steel construction and tempered glass for years of maintenance free operation.

Applications:

From sandwiches to pies, Star's Hot Food Merchandisers will display your menu items while keeping them fresh and warm until ready to serve.

Quality Construction:

Hot food merchandisers are constructed of stainless steel with 1/4" thick tempered glass panels and sliding doors. Incoloy sheath type elements located in top, base and shelf of unit are infinite control adjustable. A 60 watt light located above each shelf are controlled by on/off switch. A 6' lead in cord and NEMA plug are standard.

Warranty:

Hot food merchandisers are covered by Star's one year parts and labor warranty.



Model HFM 1-2

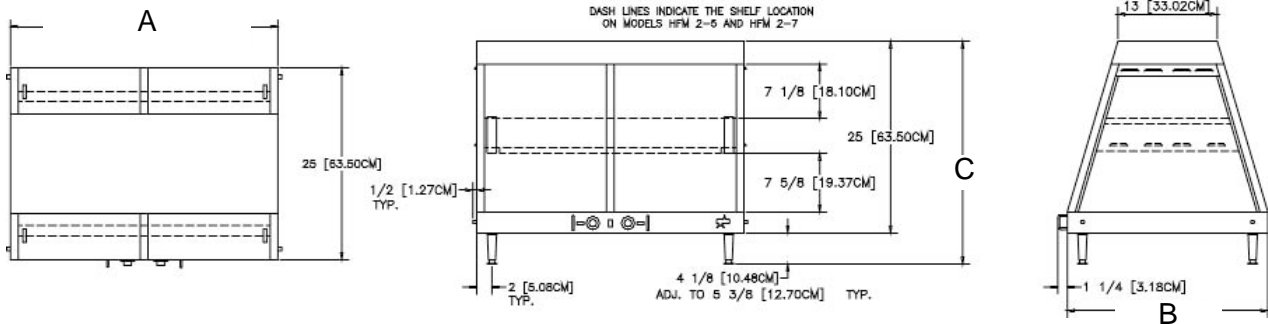


Model HFM 2-5





HOT FOOD MERCHANDISERS Models HFM1-2, HFM2-5, HFM1-3 & HFM2-7



Model Specifications

Model No.	Dimensions			Shelf Size(s)	Pan Capacity	Approximate Weight	
	(A) Width Inches (cm)	(B) Depth Inches (cm)	(C) Height Inches (cm)			Installed lbs. (kg)	Shipping lbs. (kg)
HFM1-2 Single Shelf	35 (88.9)	25 (63.5)	29-1/8 (73.9)	22-1/2" x 32 1/2" (57.2 cm x 82.6 cm)	2 12" x 20" (30.5 cm x 50.8 cm)	100 (45.4 kg)	129 (58.5)
HFM2-5 Double Shelf	35 (88.9)	25 (63.5)	29-1/8 (73.9)	22-1/2" x 32-1/2" (57.2 cm x 82.6 cm) 16-1/2" x 32-1/2" (41.9 cm x 82.6 cm)	2 12" x 20" (30.5 cm x 50.8 cm) 3 12" x 10" (30.5 cm x 25.4 cm)	110 (49.9 kg)	149 (67.6)
HFM1-3 Single Shelf	45 (114.3)	25 (63.5)	29-1/8 (73.9)	22-1/2" x 42-1/2" (57.2 cm x 107.9 cm)	3 12" x 20" (30.5 cm x 50.8 cm)	135 (61.2)	157 (71.2)
HFM2-7 Double Shelf	45 (114.3)	25 (63.5)	29-1/8 (73.9)	22-1/2" x 42-1/2" (57.2 cm x 107.9 cm) 16-12" x 42-1/2" (41.9 cm x 107.9 cm)	3 12" x 20" (30.5 cm x 50.8 cm) 4 12" x 10" (30.5 cm x 25.4 cm)	145 (65.8)	181 (82.1)

Electrical Data

Model No.	Voltage	Wattage	Nominal Amps	Plug NEMA
HFM 1-2	120	1,105	9.2	5-15P
	208	1,036	5	6-15P
	240	1,105	4.6	6-15P
HFM 2-5	120	1,400	11.7	5-15P
	208	1,310	6.3	6-15P
	240	1,400	5.8	6-15P
HFM 1-3	120	1,246	10.4	5-15P
	208	920	4.4	6-15P
	240	1,226	5.1	6-15P
HFM 2-7	120	1,605	13.4	5-15P
	208	1,175	5.6	6-15P
	240	1,563	6.5	6-15P

Typical Specifications

Hot food merchandisers are constructed of stainless steel and 1/4" (0.6 cm) tempered glass. Units are heated by incoloy sheath type elements located in the top of the unit and in the base of each shelf and controlled by adjustable infinite controls. Medium base incandescent lamps rated at 60 watts (120 volts) located above each shelf and controlled by an on-off switch. Sliding 1/4" (0.6 cm) thick tempered glass doors are mounted on the operator side of the unit. Units equipped with adjustable 4' legs. Units to have 6 ft. (182.9 cm) lead-in cord with plug NEMA 5-15P. Units are approved by Underwriters Laboratories and listed by National Sanitation Foundation. Printed in the U.S.A.

Due to periodic changes in designs, methods, procedures, policies and regulations, the specifications contained in this sheet are subject to change without notice. While Star Manufacturing exercises good faith efforts to provide information that is accurate, we are not responsible for errors or omissions in information provided or conclusions reached as a result of using the specifications. By using the information provided, the user assumes all risks in connection with such use.