



IQCSE2 & IQCSE3 SERIES IMPINGEMENT/RADIANT CONVEYOR TOASTERS WITH ELECTRONIC CONTROLS Models IQCSE2-1200B & IQCSE3-1600B

QCS Features/Benefits:

- ★ High intensity impingement airflow and infrared elements reduces toast time up to 20% by quickly and evenly heating food products.
- ★ Six programmable menu buttons to customize toasting speeds for each product.
- ★ Holman's forced convection system keeps the toaster cool to the touch and extends the life of critical components. The forced convection increases productivity by circulating pre-heated air into toasting chamber.
- ★ High intensity quartz or metal elements and impingement air provide infrared heat for toasting.
- ★ Space saving design - our forced convection system allows the unit to be placed against a wall. Other toasters have louvers requiring additional counter space.
- ★ High performance - produces up to 1600 bagel halves per hour.
- ★ Easy to use control panel takes the guesswork out of speed control settings.
- ★ Toasts bagels and English muffins in seconds!
- ★ Fully programable electronic control provides four menu selections with separate conveyor speed and heating element settings.
- ★ Two menu buttons provide timing settings.
- ★ Programmable Power Saver reduces energy consumption by up to 90%.
- ★ Extended conveyor belt for easy loading and large warming area for higher production.
- ★ Safe load up area with full width front burn guard and cool-to-the-touch exterior.
- ★ "Smart" crumb tray keeps the bread crumbs from falling under the toaster.
- ★ Heated holding area to keep toast at the perfect temperature.
- ★ Hi-limit switch prevents toaster from overheating protecting critical component parts.
- ★ 24 hours 7 days a week technical support by Star technicians.



**IQCS2-1600B
PATENT PENDING**



Applications:

Bagels - toast perfectly every time with Holman high quality bagel toasters. Choose from our most popular ICS3-1600B for toasting bagels all day.

Quality Construction:

No matter how you slice it, Holman delivers high quality, reliable toasters. Stainless steel construction for long lasting durability. Heavy-duty motor, drive chain and conveyor system for superior reliability. Conveyor belt tension system for smooth and quiet operation. High performance quartz infrared heaters for superior toasting performance and reliability. Fully programmable electronic controls. Units are easy to disassemble with one-piece cover for service. Toasters are furnished with 1" adjustable legs and 4' cord.

Warranty:

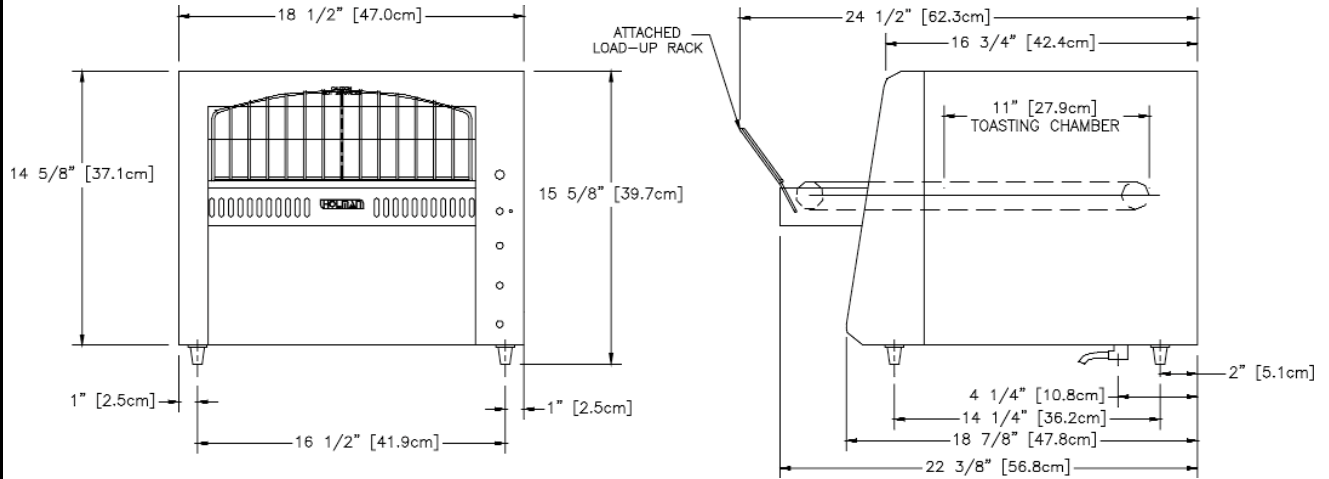
Holman's conveyor toasters are covered by a one-year parts and labor warranty.

Star Manufacturing - 10 Sunnen Drive - P.O. Box 430129 - St. Louis, MO 63143-3800
Phone: (314) 678-6303 - FAX: (314) 781-3636 - www.star-mfg.com

H219/1024



**IQCSE2 & IQCSE3 SERIES
IMPINGEMENT/RADIANT CONVEYOR TOASTERS
WITH ELECTRONIC CONTROLS
Models IQCSE2-1200B & IQCSE3-1600B**



Performance Data

Model No.	Production Capacity	Product Opening
IQCSE2-1200B	Up to 1,200 bagel halves per hour	1-3/4"
IQCSE3-1600B	Up to 1,600 bagel halves per hour	1-3/4"

Specifications

Model No.	Dimensions			Shipping Weight lbs. (kg)
	Width Inches (cm)	Depth Inches (cm)	Height Inches (cm)	
IQCSE2-1200B	14.6" (37.1)	27.2" (69.1)	16.4" (41.7)	- (-)
IQCSE3-1600B	18.6" (47.2)	27.2" (69.1)	16.4" (41.7)	64 (29.1)

Electrical Data

Model No.	Volts	HZ 1 Phase	Amps	Watts	Heating Elements ¹		Plug
					Above Belt	Below Belt	
IQCSE2-1200B	208	60	13.5	2800	4*	0	6-20P
	240	60	11.7	2800	4*	0	6-20
	230	50	12.2	2800	4*	0	CEE7-7
IQCSE3-1600B	208	60	17.3	3600	4*	0	6-30P
	240	60	15.0	3600	4*	0	6-30P
	230	50	15.6	3600	4*	0	CEE7-7

¹Metal element toasters have 6 elements

Typical Specifications

High performance Bagel Fast conveyor toasters are constructed of corrosion resistant stainless steel. Supplied with heavy-duty motor, drive chain and fast heat up quartz infrared heaters or metal elements. A conveyor belt tension system is supplied for a smooth, quiet operation. Units are supplied with fully electronic speed and temperature control and high limit switch. Extended conveyor belt, crumb tray, heated holding area and full width burn guards standard. Unit has a one-piece cover for easy access with 1" adjustable legs and a 4' cord. Patent number D459,140. Printed in the U.S.A.

Due to periodic changes in designs, methods, procedures, policies and regulations, the specifications contained in this sheet are subject to change without notice. While Star Manufacturing exercises good faith efforts to provide information that is accurate, we are not responsible for errors or omissions in information provided or conclusions reached as a result of using the specifications. By using the information provided, the user assumes all risks in connection with such use.

Star Manufacturing - 10 Sunnen Drive - P.O. Box 430129 - St. Louis, MO 63143-3800

Phone: (314) 678-6303 - FAX: (314) 781-3636 - www.star-mfg.com