



Job _____ Item No. _____

Star® Mini JetStar Popcorn Popper

□J4R



J4R

DESCRIPTION

The Mini JetStar 4oz. popcorn popper is the life of the party. The Mini JetStar can be placed in small kiosks, coffee shops, small business lobbies, break areas, rental facilities and other small foodservice operations. Our 4 oz. popper is perfect for your home theatre, office, recreation room, kitchen or wherever you might want to pop and dispense popcorn. You decide!

SPECIFICATIONS

Mini JetStar 4oz Popper is outfitted with a 1000 watt, 4 oz. capacity, aluminum popping kettle with stainless steel exterior shell. A one-piece clear polycarbonate wrap body construction has a 3/16" thick polycarbonate door with full length hinge to stand up to commercial use. 50 watt flood light and 50 watt heated corn pan supplied. Popper is complete with a 6' lead in cord and NEMA 5-15P.

WARRANTY

These units come with a one [1] year warranty for parts and labor.

FEATURES

- Pops 115 one ounce servings per hour of Star's quality Chief's Choice brand popcorn (Contact factory for details)
- Fits almost anywhere requiring only 16" of counter space
- 4 oz. aluminum kettle with stainless steel exterior shell
- Swing up/down kettle design allows easy dispensing of your popped corn into the cabinet and is easy to clean
- Heated stainless steel corn pan
- A magnetic catch holds the one-piece kettle lid up for easy and safe loading of Chief's Choice popcorn
- Clear one-piece polycarbonate wrap construction for easy cleaning and visibility
- Clear one-piece polycarbonate door with aluminum hinge and magnetic catch stands up to constant use
- Stainless steel drop down panel for easy access and removal of old maids (unpopped kernels)
- Bottom control panel has two ON/OFF switches. The left switch is for kettle heat and the right switch is for the 50 watt display lamp and heated corn pan
- Attractive colorful graphics to enhance impulse sales and emphasize the antique styling of the unit
- 120V - plugs in anywhere

OPTIONS & ACCESSORIES

- Chief's Choice Popcorn

CERTIFICATIONS



STAR MANUFACTURING INTERNATIONAL INC.

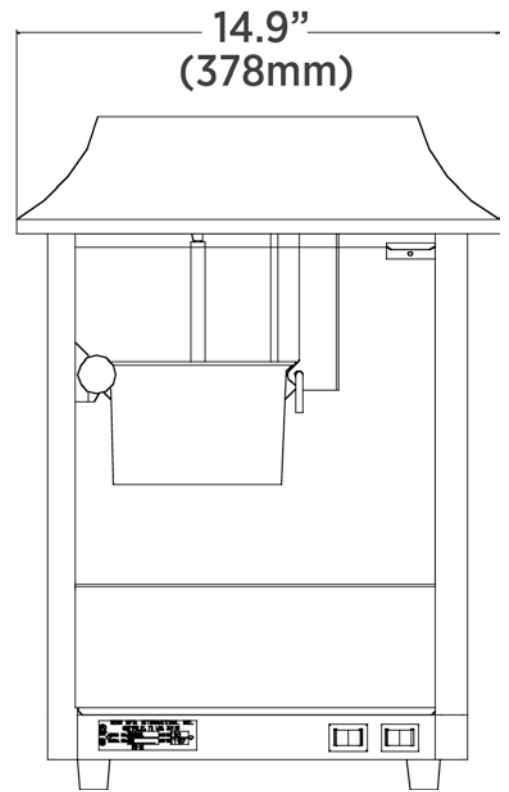
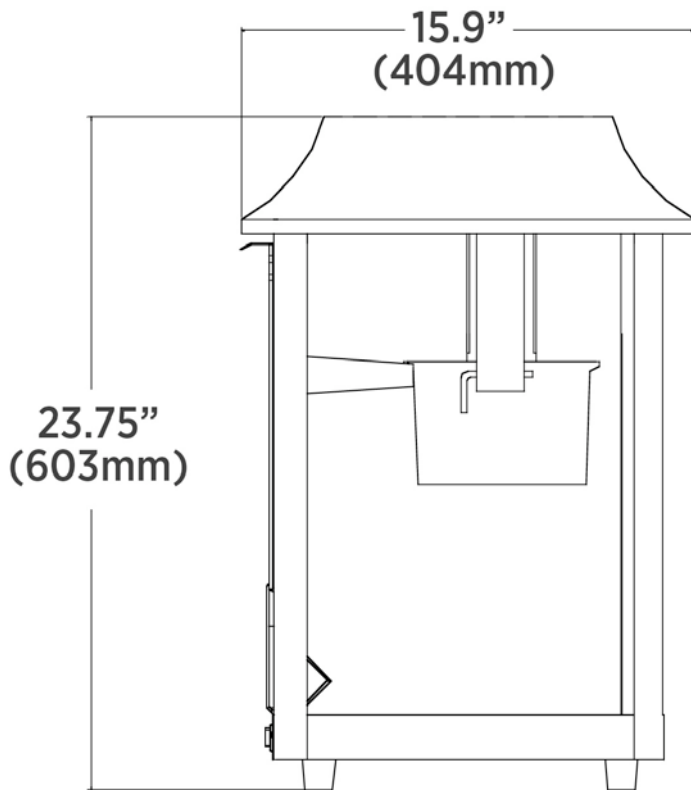
10 Sunnen Drive • Saint Louis, Missouri 63143
Telephone 800 264 7827 • Fax 314 781 5445
www.star-mfg.com

Printed in the U.S.A. • 2M-ZZxxxx • Rev - • 5.2017
Specifications are subject to change without notice
and are not intended for installation purposes.



Star® Mini JetStar Popcorn Popper

□J4R



MODEL	SERVINGS PER HOUR	HEIGHT in. (mm)	WIDTH in. (mm)	DEPTH in. (mm)	VOLTS	WATTS	NEMA PLUG	APPROX. SHIP WEIGHT	APPROX. INSTALL WEIGHT
J4R	115 - 1 oz	23.75 (603)	15.9 (404)	14.9 (378)	120 230V	1,130	5-15P CEE7/7	36 lb. (16.2 kg)	25 lb. (11.3 kg)



5-15P



CEE7/7

Due to periodic changes in designs, methods, procedures, policies and regulations, the specifications contained in this sheet are subject to change without notice. While Star Manufacturing exercises good faith efforts to provide information that is accurate, we are not responsible for errors or omissions in information provided or conclusions reached as a result of using the specifications. By using the information provided, the user assumes all risks in connection with such use.



STAR MANUFACTURING INTERNATIONAL INC.

10 Sunnen Drive • Saint Louis, Missouri 63143

Telephone 800 264 7827 • Fax 314 781 5445

www.star-mfg.com

Printed in the U.S.A. • 2M-Z2xxxx • Rev - • 5.2017
Please refer to the owner's manual for information regarding installation or use.