



ADA Compliant

*This Space for Architect/Engineer Approval*

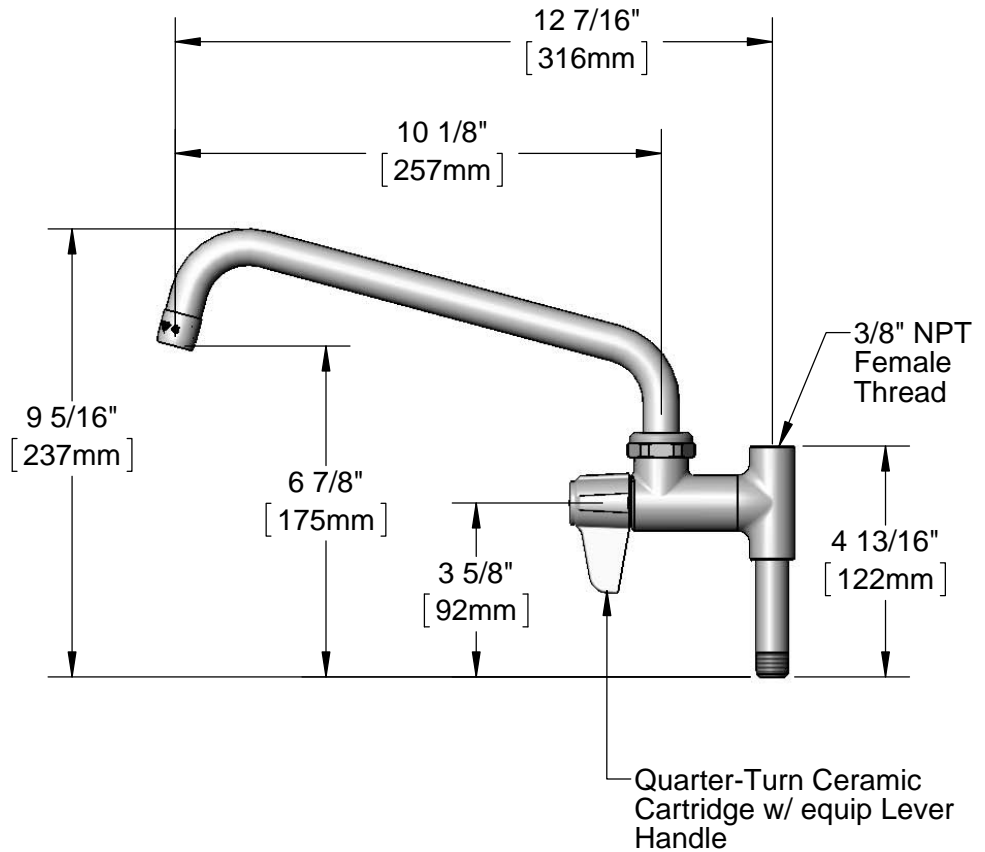
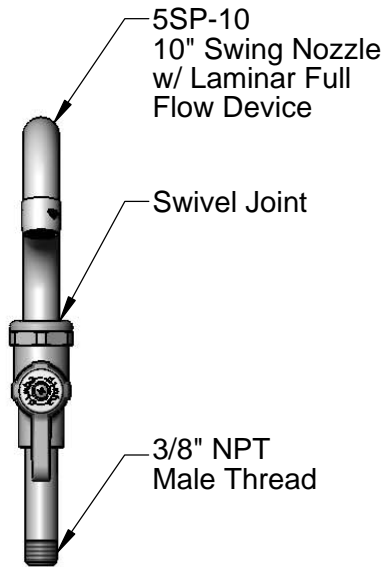
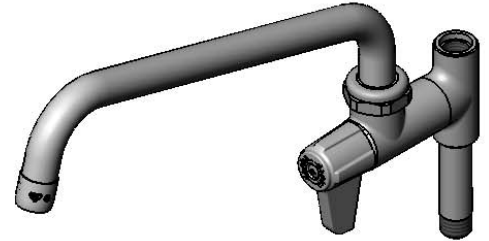
Job Name \_\_\_\_\_ Date \_\_\_\_\_

Model Specified \_\_\_\_\_ Quantity \_\_\_\_\_

Customer/Wholesaler \_\_\_\_\_

Contractor \_\_\_\_\_

Architect/Engineer \_\_\_\_\_



Model Number

**5AFL10**

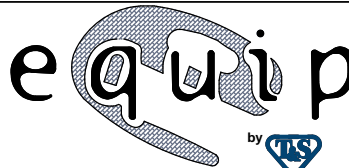
Product Specifications:

equip Add-On Faucet, Quarter-Turn Ceramic Cartridge,  
10" Swing Nozzle & Laminar Full Flow Device

Product Compliance:

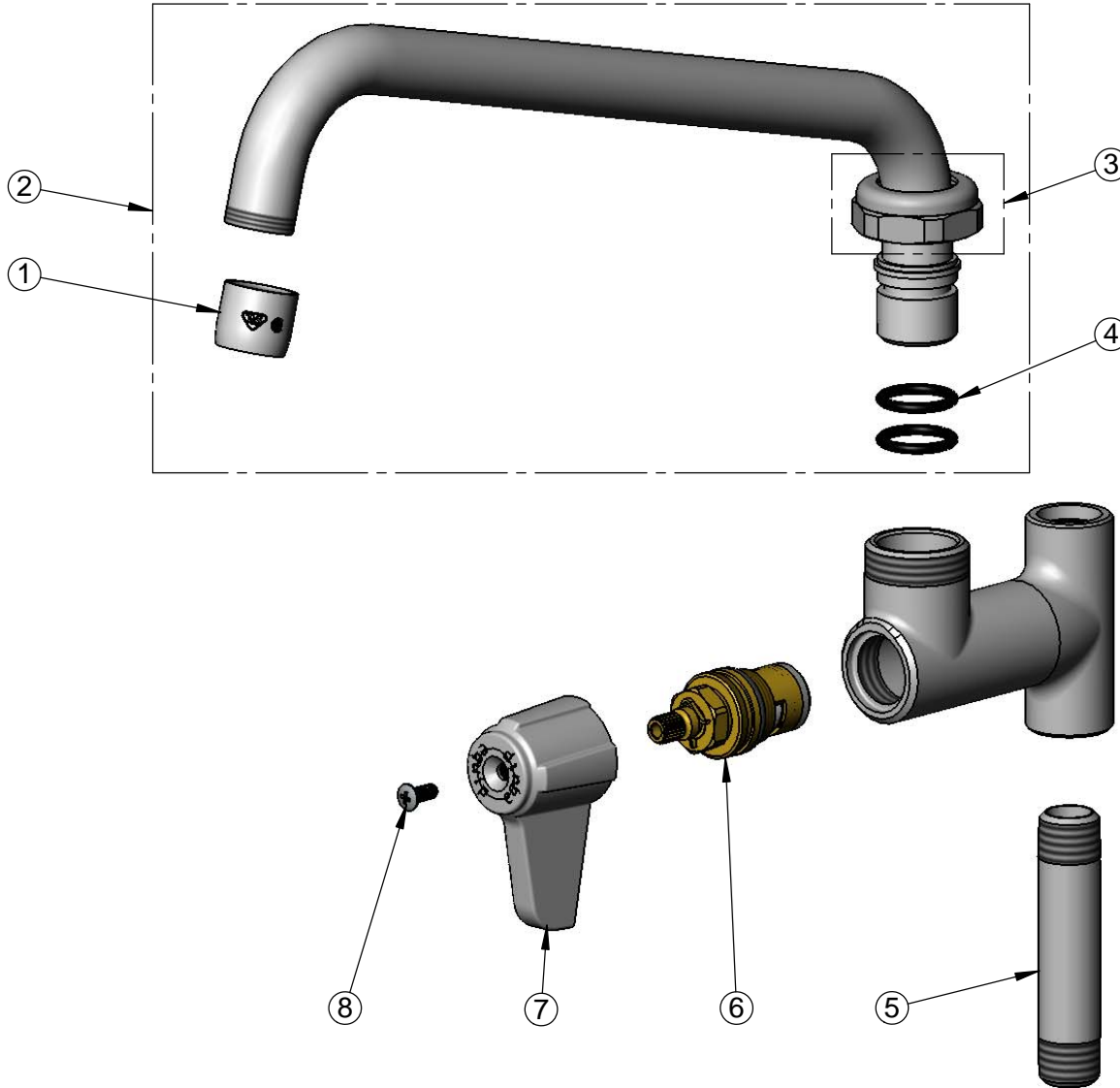
ASME A112.18.1 / CSA B125.1  
NSF 61 - Section 9  
NSF 372 (Low Lead Content)  
ANSI A117.1 (ADA)

equip  
Foodservice  
Accessories



2 Saddleback Cove, P.O. Box 1088  
Travelers Rest, South Carolina 29690  
Phone: 800.891.4808 Fax: 800.868.0084  
equip.tsbrass.com

| ITEM NO. | SALES NO. | DESCRIPTION                                |
|----------|-----------|--|
| 1        | 014250-45 | Laminar Full Flow Device, 3/4-27 UN Female |
| 2        | 5SP-10    | 10" Swing Nozzle                           |
| 3        | 013839-25 | equip Swivel Nut                           |
| 4        | 013848-45 | equip Swivel Piece O-Ring                  |
| 5        | 000358-40 | 3/8" NPT x 3" Nipple                       |
| 6        | 013787-45 | equip Quarter-Turn Ceramic Cartridge, RTC  |
| 7        | 5-HDL-L   | equip Lever Handle                         |
| 8        | 013849-45 | Lever Handle Screw                         |



Model Number

**5AFL10**

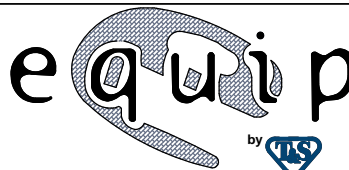
Product Specifications:

equip Add-On Faucet, Quarter-Turn Ceramic Cartridge,  
10" Swing Nozzle & Laminar Full Flow Device

Product Compliance:

ASME A112.18.1 / CSA B125.1  
NSF 61 - Section 9  
NSF 372 (Low Lead Content)  
ANSI A117.1 (ADA)

equip  
Foodservice  
Accessories



2 Saddleback Cove, P.O. Box 1088  
Travelers Rest, South Carolina 29690  
Phone: 800.891.4808 Fax: 800.868.0084  
equip.tsbrass.com