

*This Space for Architect/Engineer Approval*

Job Name \_\_\_\_\_ Date \_\_\_\_\_

Model Specified \_\_\_\_\_ Quantity \_\_\_\_\_

Customer/Wholesaler \_\_\_\_\_

Contractor \_\_\_\_\_

Architect/Engineer \_\_\_\_\_



**ADA Compliant**

Ø 2 1/16"  
[52mm]

Polished Chrome  
Plated Solid Brass  
Cast Spout w/ 2.2  
GPM [8.3 LPM] Vandal  
Resistant Aerator & Key

24" [610mm]  
Sensor Cable

1/4" NPSM Female x 1/2" NPSM  
Female x 18" [457mm] Flexible  
Stainless Steel Hose

Removable Strainer

Mounting Surface

4 9/16"  
[116mm]

3 11/16"  
[93mm]

4 11/16"  
[119mm]

1 3/8"  
[35mm]  
Maximum  
Thickness

3 5/8" x 4 3/16" x 2"  
[92mm x 106mm x 51mm]  
Deep Control Module Box  
(Black) w/ Water Resistant  
Connections. AC or DC  
Operated w/ (4) AA Batteries

100-240 VAC Adapter  
71" [1800mm] Power  
Cord. (Remove Rubber  
Plug in Module to Connect)

(2) 3/8" Compression x 1/2" NPSM  
18" [457mm] Flexible Stainless Steel  
Supply Hoses

Mechanical Mixing Valve  
w/ Check Valves

Rough-In Requirement:  
Ø 1 1/4" [32mm] Mounting Hole

Model Number

**5EF-1D-DS**

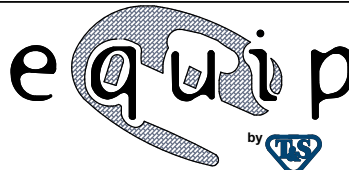
Product Specifications:

Electronic Faucet: Single Hole Deck Mount Cast Spout  
Faucet, AC-DC Control Module, Temperature Control Mixing  
Valve, Check Valves & (2) 18" Flexible Supply Hoses

Product Compliance:

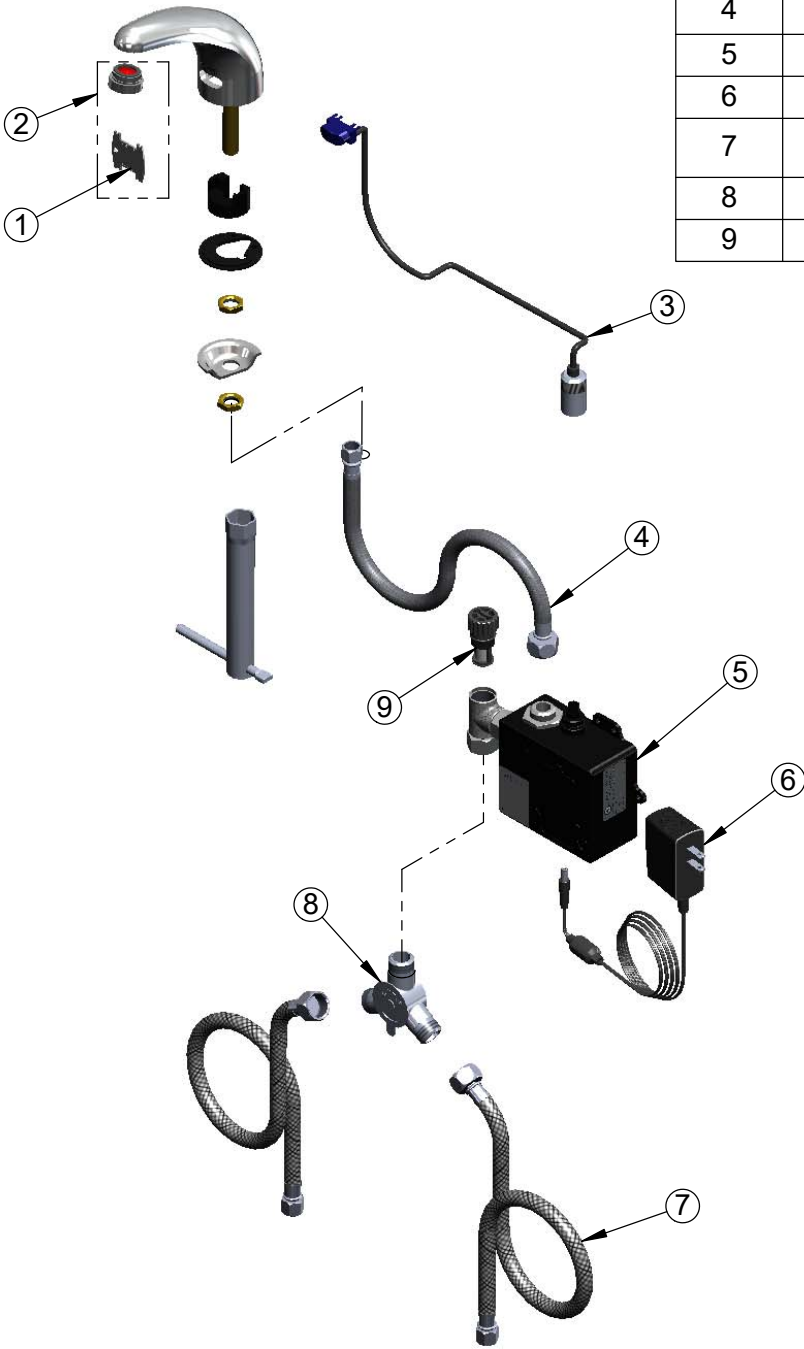
ASME A112.18.1 / CSA B125.1  
NSF 61 - Section 9  
NSF 372 (Low Lead Content)  
ANSI A117.1 (ADA)  
UL 1951

equip  
Foodservice  
Accessories



2 Saddleback Cove, P.O. Box 1088  
Travelers Rest, South Carolina 29690  
Phone: 800.891.4808 Fax: 800.868.0084  
equip.tsbrass.com

ITEM NO.	SALES NO.	DESCRIPTION
1	015425-45	Vandal Resistant Key
2	B-0199-09	VR 2.2 GPM Aerator, 15/16-27 Male w/ Key
3	5EF-0003	24" Sensor Cable
4	016297-45	Inlet Hose, Faucet, 1/2" NPSM-F x 1/4" NPSM-F
5	5EF-0001	equip Sensor Faucet - Control Module
6	5EF-0002	equip AC Transformer, 100-240 VAC
7	5EF-0005	Supply Hose, 9/16-24UN Female x 1/2" NPSM
8	5EF-0006	Mechanical Mixing Valve
9	EC-FILTER	Replacement Filter



Model Number

**5EF-1D-DS**

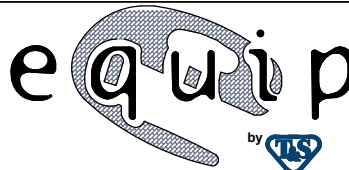
Product Specifications:

Electronic Faucet: Single Hole Deck Mount Cast Spout Faucet, AC-DC Control Module, Temperature Control Mixing Valve, Check Valves & (2) 18" Flexible Supply Hoses

Product Compliance:

ASME A112.18.1 / CSA B125.1  
NSF 61 - Section 9  
NSF 372 (Low Lead Content)  
ANSI A117.1 (ADA)  
UL 1951

equip  
Foodservice  
Accessories



2 Saddleback Cove, P.O. Box 1088  
Travelers Rest, South Carolina 29690  
Phone: 800.891.4808 Fax: 800.868.0084  
equip.tsbrass.com