

This Space for Architect/Engineer Approval

Job Name _____ Date _____

Model Specified _____ Quantity _____

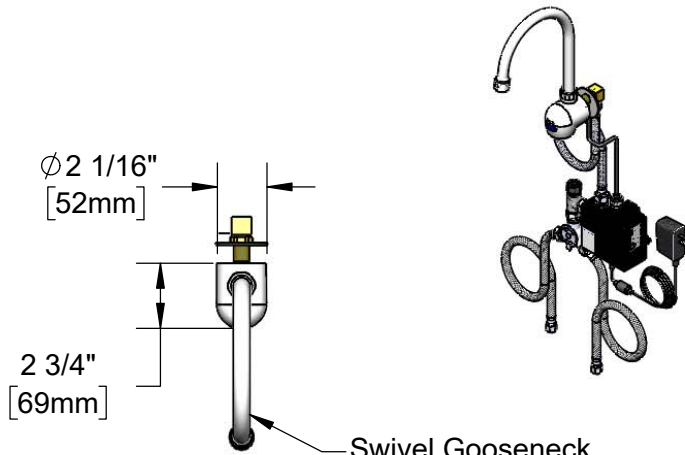
Customer/Wholesaler _____

Contractor _____

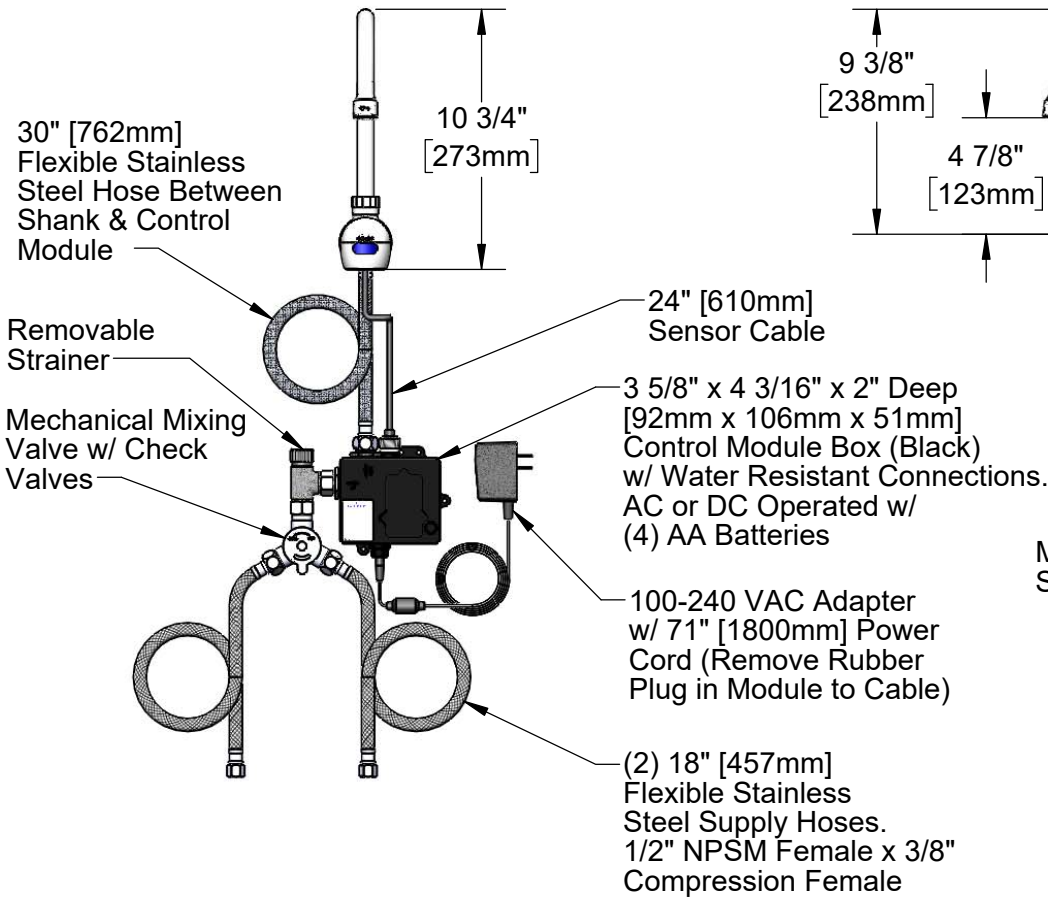
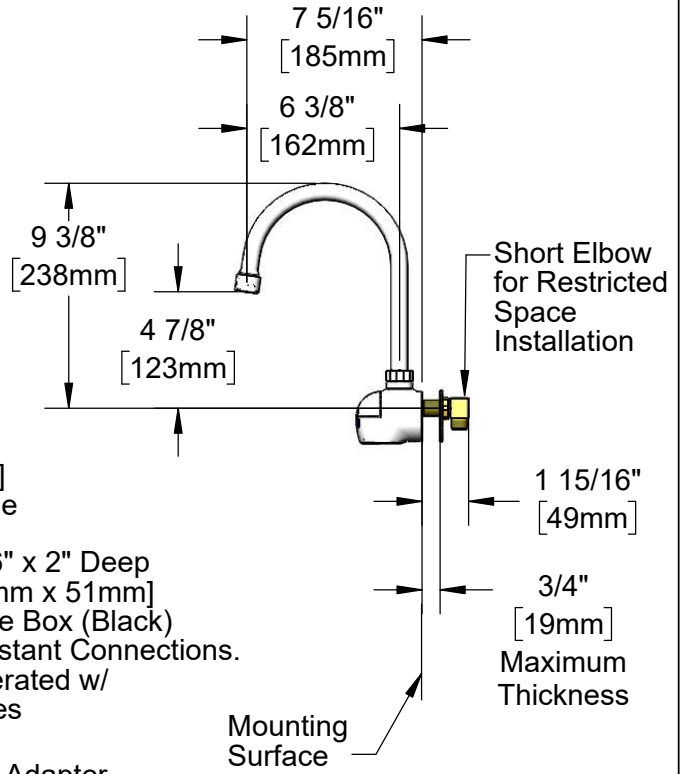
Architect/Engineer _____



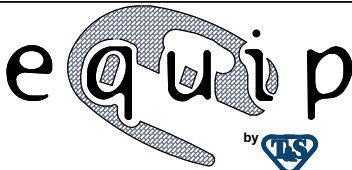
ADA Compliant



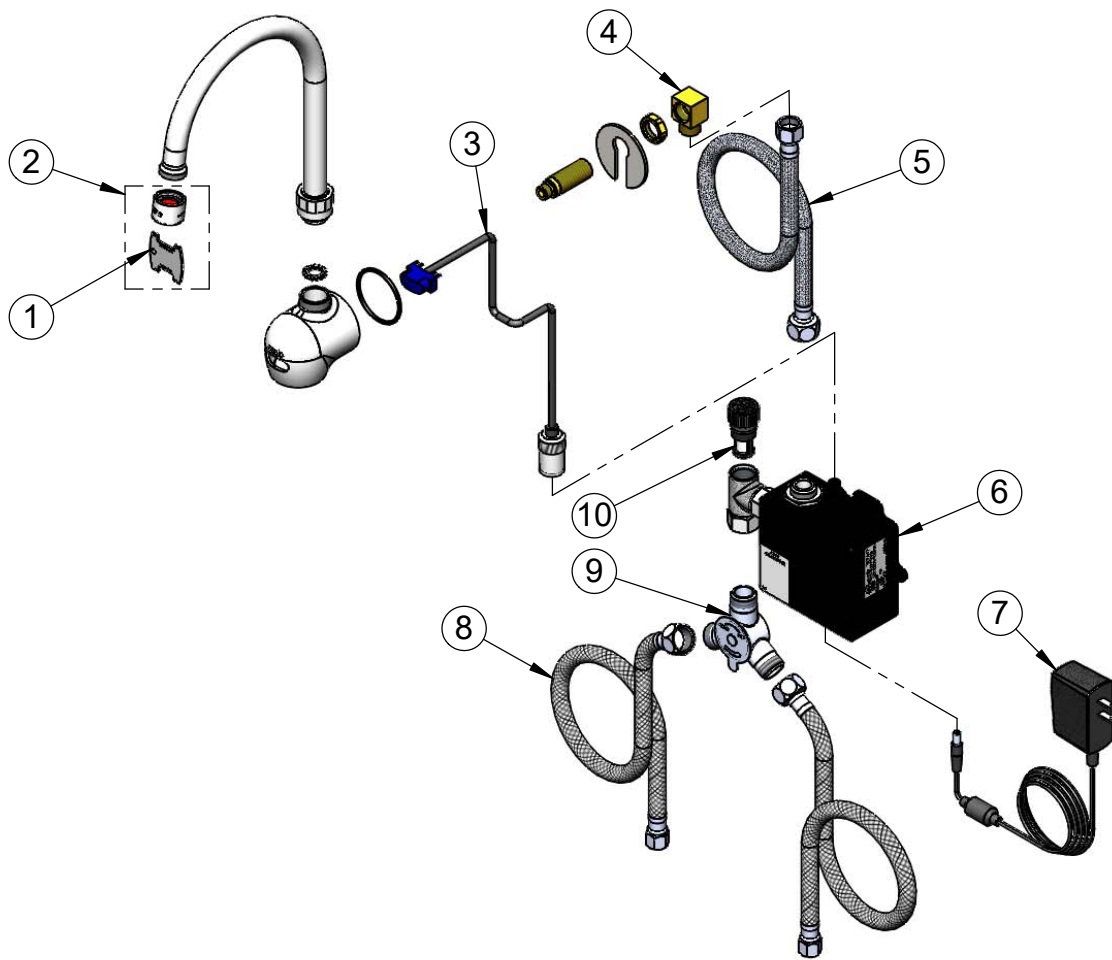
Swivel Gooseneck
w/ 2.2 GPM [8.3 LPM]
Vandal Resistant Aerator



Rough-In Requirement:
Ø 1 1/8" [29mm] Mounting Hole

<p>Model Number</p> <p>5EF-1D-WG</p>	<p>Product Specifications:</p> <p>Electronic Faucet: Wall Mount Swivel Gooseneck, 2.2 GPM VR Aerator, AC-DC Control Module, Temperature Control Mixing Valve, Check Valves & (2) 18" Flexible Supply Hoses</p>
<p>Product Compliance:</p> <p>ASME A112.18.1 / CSA B125.1 NSF 61 - Section 9 NSF 372 (Low Lead Content) ANSI A117.1 (ADA) UL 1951</p>	<p>equip Foodservice Accessories</p>  <p>2 Saddleback Cove, P.O. Box 1088 Travelers Rest, South Carolina 29690 Phone: 800.891.4808 Fax: 800.868.0084 equip.tsbrass.com</p>

ITEM NO.	SALES NO.	DESCRIPTION
1	015425-45	Vandal Resistant Key
2	B-0199-06	VR 2.2 GPM Aerator, 55/64-27 UN Female w/ Key
3	5EF-0003	24" Sensor Cable
4	015345-20	3/8-18 NPSM Low Profile Elbow
5	016325-45	Flex Connector, 3/8 NPSM x 1/2 NPSM
6	5EF-0001	equip Sensor Faucet - Control Module
7	5EF-0002	equip AC Transformer, 100-240 VAC
8	5EF-0005	Supply Hose, 3/8" Compression x 1/2" NPSM
9	5EF-0006	Mechanical Mixing Valve
10	5EF-FILTER	Replacement Filter



Model Number

5EF-1D-WG

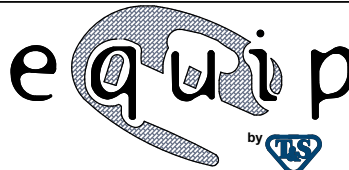
Product Specifications:

Electronic Faucet: Wall Mount Swivel Gooseneck, 2.2 GPM VR Aerator, AC-DC Control Module, Temperature Control Mixing Valve, Check Valves & (2) 18" Flexible Supply Hoses

Product Compliance:

ASME A112.18.1 / CSA B125.1
NSF 61 - Section 9
NSF 372 (Low Lead Content)
ANSI A117.1 (ADA)
UL 1951

equip
Foodservice
Accessories



2 Saddleback Cove, P.O. Box 1088
Travelers Rest, South Carolina 29690
Phone: 800.891.4808 Fax: 800.868.0084
equip.tsbrass.com