



ADA Compliant

This Space for Architect/Engineer Approval

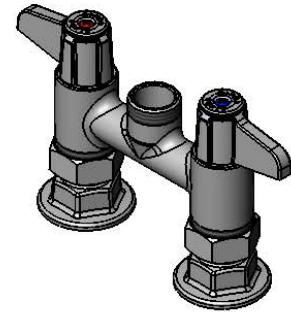
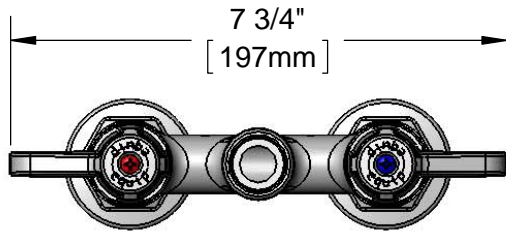
Job Name _____ Date _____

Model Specified _____ Quantity _____

Customer/Wholesaler _____

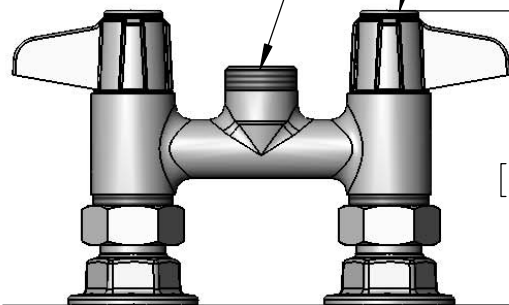
Contractor _____

Architect/Engineer _____



Swivel Outlet Accepts equip Swing Nozzles. Rigid Conversion Requires 014200-45 Lock Washer (Sold Separately)

Quarter-Turn Ceramic Cartridges & equip Lever Handles w/ Color Coded Screws



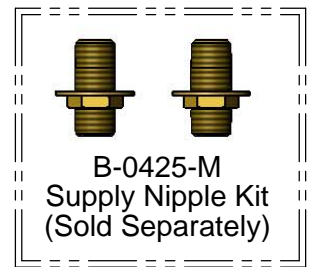
4 5/8" [117mm]

Mounting Surface



4" [102mm]
Adjustable from 3 3/4" to 4 1/4" [95mm to 108mm]

Ø 2" [51mm] Flanges w/ 1/2" NPT Female Inlets



B-0425-M
Supply Nipple Kit
(Sold Separately)

Model Number

5F-4DLX00

Product Specifications:

4" Deck Mount Mixing Faucet, Less Nozzle, Quarter-Turn Ceramic Cartridges, equip Lever Handles, & 1/2" NPT Female Inlets

Product Compliance:

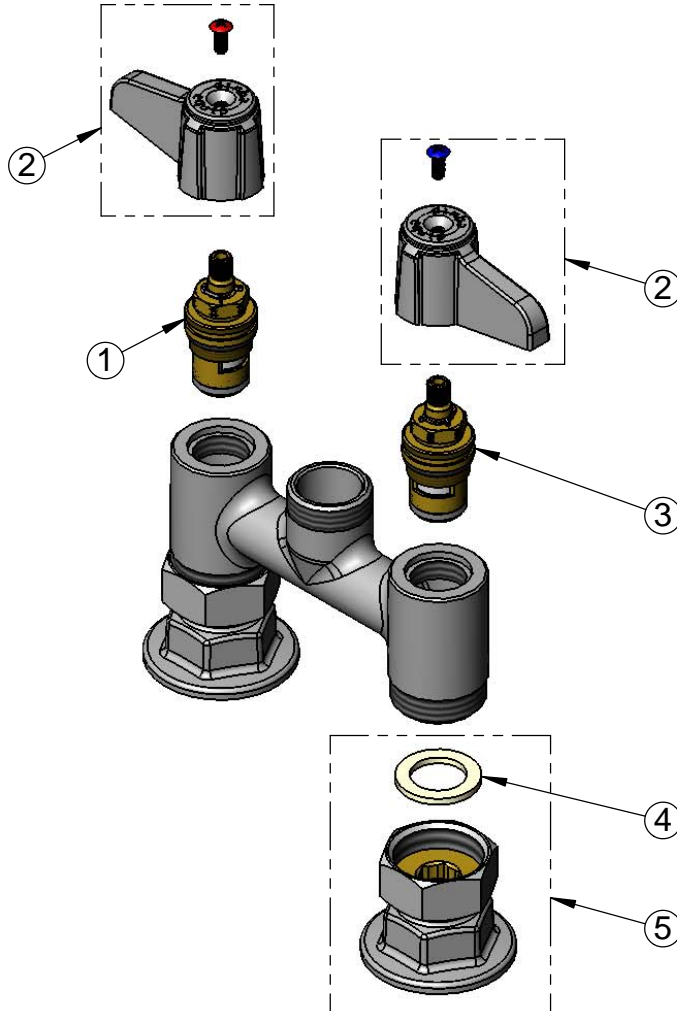
ASME A112.18.1 / CSA B125.1
NSF 61 - Section 9
NSF 372 (Low Lead Content)
ANSI A117.1 (ADA)

equip
Foodservice
Accessories



2 Saddleback Cove, P.O. Box 1088
Travelers Rest, South Carolina 29690
Phone: 800.891.4808 Fax: 800.868.0084
equip.tsbrass.com

ITEM NO.	SALES NO.	DESCRIPTION
1	013787-45	equip Ceramic Cartridge, RTC
2	5-HDL-L	equip Lever Handle w/ Color Coded Screws
3	013788-45	equip Ceramic Cartridge, LTC
4	001019-45	Coupling Nut Washer
5	00AA	1/2" NPT Inlet Flange



Model Number

5F-4DLX00

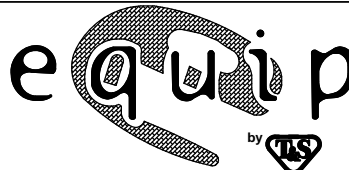
Product Specifications:

4" Deck Mount Mixing Faucet, Less Nozzle, Quarter-Turn Ceramic Cartridges, equip Lever Handles, & 1/2" NPT Female Inlets

Product Compliance:

ASME A112.18.1 / CSA B125.1
NSF 61 - Section 9
NSF 372 (Low Lead Content)
ANSI A117.1 (ADA)

equip
Foodservice
Accessories



2 Saddleback Cove, P.O. Box 1088
Travelers Rest, South Carolina 29690
Phone: 800.891.4808 Fax: 800.868.0084
equip.tsbrass.com