



ADA Compliant

This Space for Architect/Engineer Approval

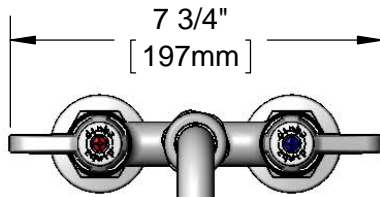
Job Name _____ Date _____

Model Specified _____ Quantity _____

Customer/Wholesaler _____

Contractor _____

Architect/Engineer _____



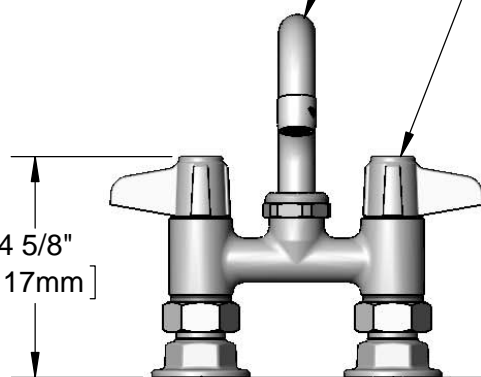
7 3/4"

[197mm]



5SP-08
8" equip Swing Nozzle
w/ Laminar Full Flow Device.
Rigid Conversion Requires
014200-45 Lock Washer
(Sold Separately)

Ceramic Cartridges &
equip Lever Handles
w/ Color Coded Screws



4 5/8"

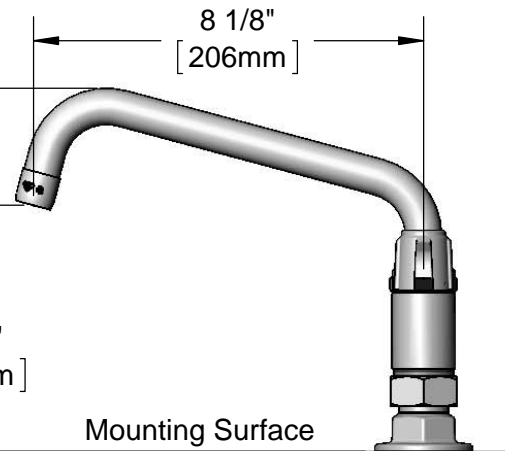
[117mm]

7 9/16"

[192mm]

5 1/8"

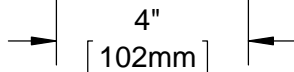
[130mm]



8 1/8"

[206mm]

Mounting Surface



4"

[102mm]

Adjustable from
3 3/4" to 4 1/4"
[95mm to 108mm]

Ø 2" [51mm]
Flanges w/
1/2" NPT
Female Inlets



B-0425-M
Supply Nipple Kit
(Sold Separately)

Model Number

5F-4DLX08

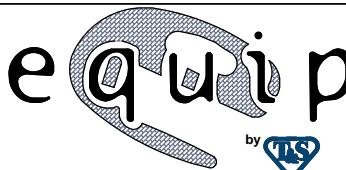
Product Specifications:

4" Deck Mount Mixing Faucet w/ Ceramic Cartridges, equip Lever Handles, 8" equip Swing Nozzle & 1/2" NPT Female Inlets

Product Compliance:

ASME A112.18.1 / CSA B125.1
NSF 61 - Section 9
NSF 372 (Low Lead Content)
ANSI A117.1 (ADA)

equip
Foodservice
Accessories



2 Saddleback Cove, P.O. Box 1088
Travelers Rest, South Carolina 29690
Phone: 800.891.4808 Fax: 800.868.0084
equip.tsbrass.com

Drawn: DMH

Checked: KJG

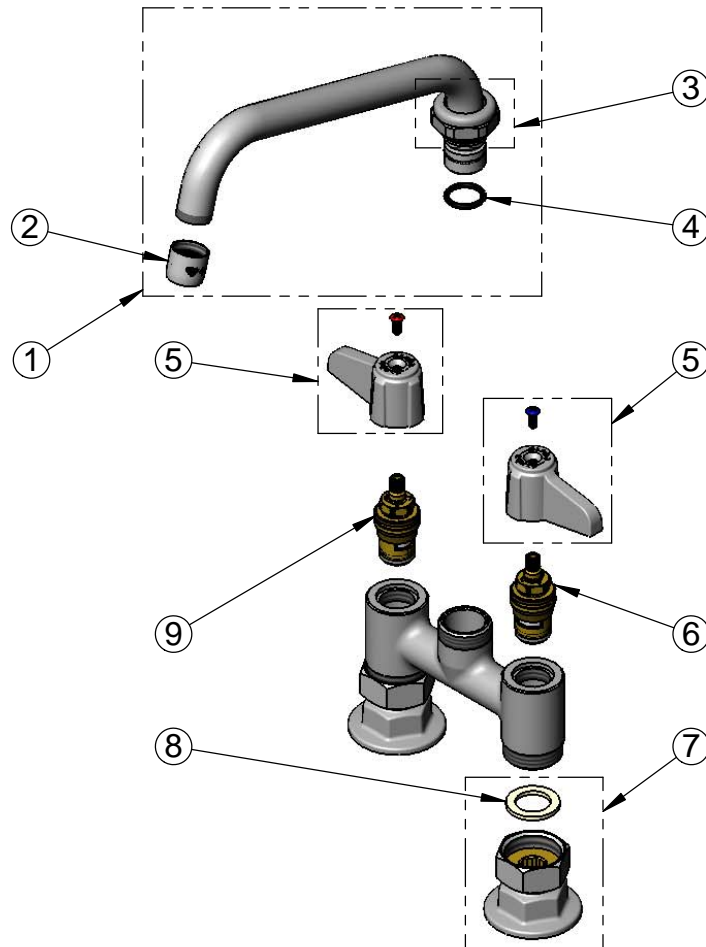
Approved: JHB

Date: 08/26/16

Scale: 1:4

Sheet: 1 of 2

ITEM NO.	SALES NO.	DESCRIPTION
1	5SP-08	8" equip Swing Nozzle
2	014250-45	Laminar Full Flow Device
3	013839-25	equip Swivel Nut
4	013848-45	equip Swivel Piece O-ring
5	5-HDL-L	equip Lever Handle w/ Color Coded Screws
6	013788-45	equip Ceramic Cartridge, LTC
7	00AA	1/2" NPT Female Eccentric Flange
8	001019-45	Coupling Nut Washer
9	013787-45	equip Ceramic Cartridge, RTC



Model Number

5F-4DLX08

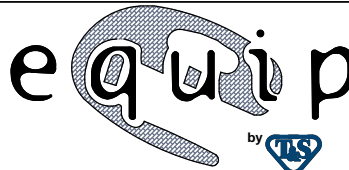
Product Specifications:

4" Deck Mount Mixing Faucet w/ Ceramic Cartridges, equip Lever Handles, 8" equip Swing Nozzle & 1/2" NPT Female Inlets

Product Compliance:

ASME A112.18.1 / CSA B125.1
NSF 61 - Section 9
NSF 372 (Low Lead Content)
ANSI A117.1 (ADA)

equip
Foodservice
Accessories



2 Saddleback Cove, P.O. Box 1088
Travelers Rest, South Carolina 29690
Phone: 800.891.4808 Fax: 800.868.0084
equip.tsbrass.com