

This Space for Architect/Engineer Approval

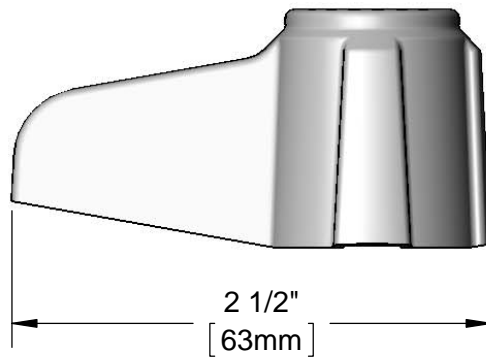
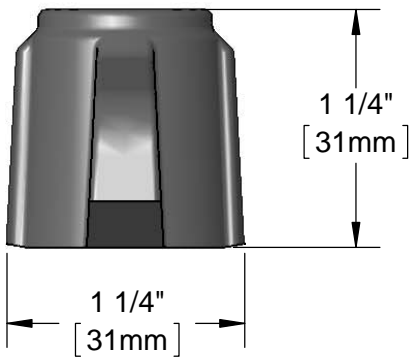
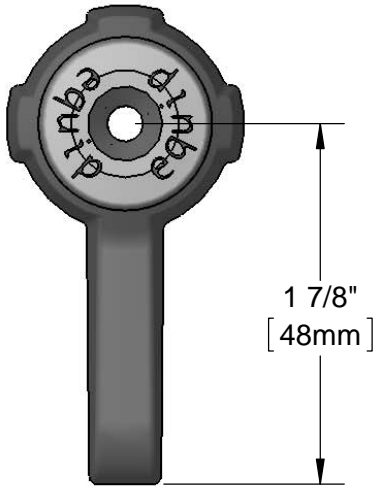
Job Name _____ Date _____

Model Specified _____ Quantity _____

Customer/Wholesaler _____

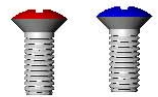
Contractor _____

Architect/Engineer _____



5-HDL-L INCLUDES:

- 1 "equip" Lever Handle
- 1 Stainless Steel Screw, Color Coded (Red) w/ Self-Locking Patch
- 1 Stainless Steel Screw, Color Coded (Blue) w/ Self-Locking Patch



<p>Model Number</p> <p style="text-align: center;">5-HDL-L</p>	<p>Product Specifications:</p> <p style="text-align: center;">"equip" Lever Handle Kit w/ (2) Color Coded Screws (1-Red & 1-Blue)</p>
<p>Product Compliance:</p>	<div style="display: flex; justify-content: space-between; align-items: center;"> <div data-bbox="602 1906 740 1980"> <p>equip Foodservice Accessories</p> </div> <div data-bbox="745 1856 1089 2034"> </div> <div data-bbox="1097 1894 1565 1997"> <p>2 Saddleback Cove, P.O. Box 1088 Travelers Rest, South Carolina 29690 Phone: 800.891.4808 Fax: 800.868.0084 equip.tsbrass.com</p> </div> </div>