

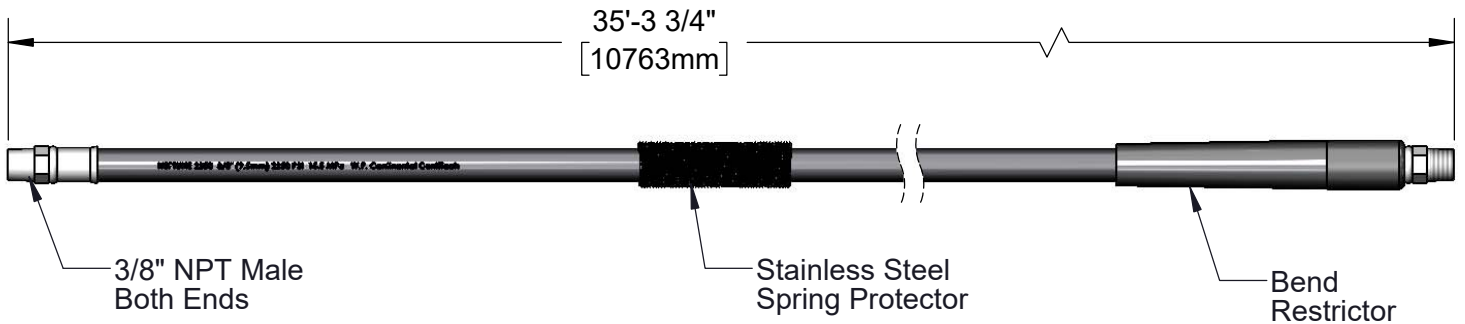
This Space for Architect/Engineer Approval


Job Name _____ Date _____
Model Specified _____ Quantity _____
Customer/Wholesaler _____
Contractor _____
Architect/Engineer _____



NOTES:

1. HOSE CONSTRUCTION:
 - A. LENGTH = 35 FT.
 - B. MAX PRESSURE = 225 PSI
 - C. MAX TEMP = 180 °F.
 - D. 3/8" I.D. ONE WIRE TUBING.
 - E. SAE 100R1AT RATING.



<p>Model Number</p> <p>5HR-2HSE-35</p>	<p>Product Specifications:</p> <p>35 Ft. Black Hose Assembly, Medium Pressure(225 psi) 3/8" NPT Male Both Ends, Bend Restrictor and Spring Protector</p>				
<p>Product Compliance:</p> <p>NSF 61 Exmpt (Non-Potable)</p>	<p>equip Foodservice Accessories</p>  <p>2 Saddleback Cove, P.O. Box 1088 Travelers Rest, South Carolina 29690 Phone: 800.891.4808 Fax: 800.868.0084 equip.tsbrass.com</p>				
<p>Drawn: MRC</p>	<p>Checked: JRM</p>	<p>Approved: JHB</p>	<p>Date: 06/25/18</p>	<p>Scale: 1:4</p>	<p>Sheet: 1 of 1</p>