

This Space for Architect/Engineer Approval

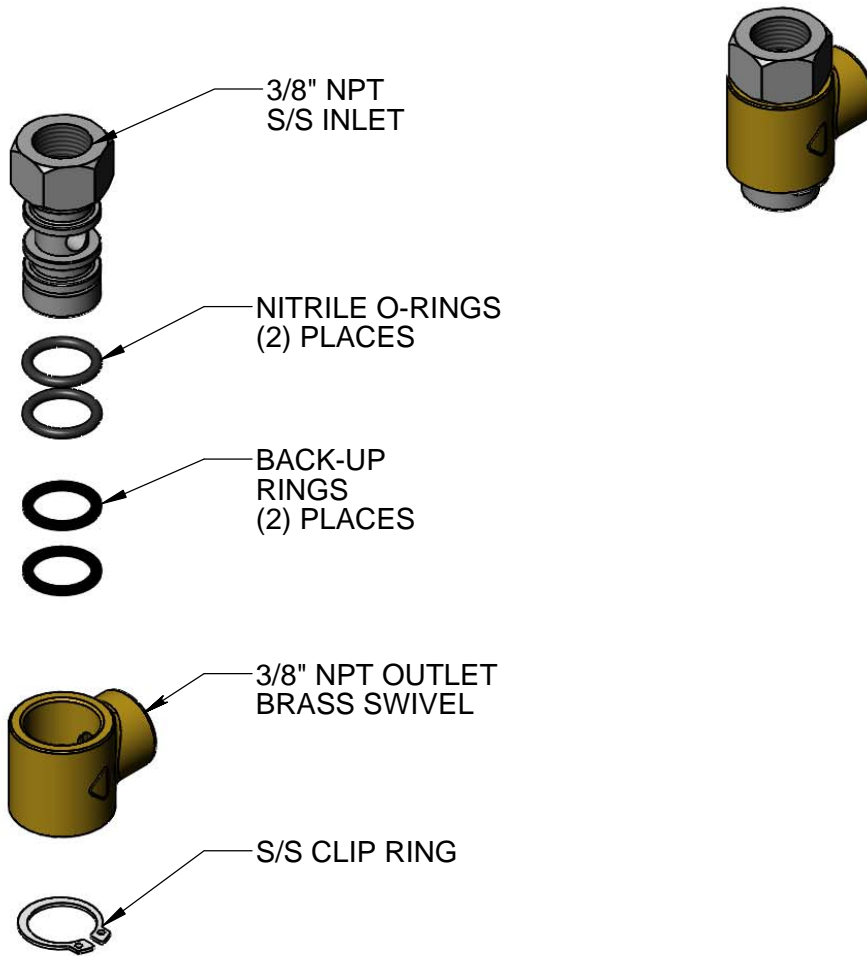
Job Name _____ Date _____

Model Specified _____ Quantity _____

Customer/Wholesaler _____

Contractor _____

Architect/Engineer _____



Model Number

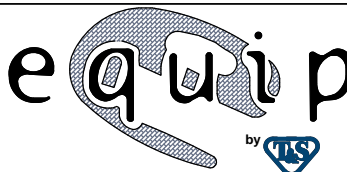
5HR-2SA

Product Specifications:

3/8" NPT SWIVEL ASSEMBLY

Product Compliance:

equip
Foodservice
Accessories



2 Saddleback Cove, P.O. Box 1088
Travelers Rest, South Carolina 29690
Phone: 800.891.4808 Fax: 800.868.0084
equip.tsbrass.com

Drawn: JBC

Checked: JRM

Approved: JHB

Date: 05/07/16

Scale: 1:2

Sheet: 1 of 1