

*This Space for Architect/Engineer Approval*

Job Name \_\_\_\_\_ Date \_\_\_\_\_

Model Specified \_\_\_\_\_ Quantity \_\_\_\_\_

Customer/Wholesaler \_\_\_\_\_

Contractor \_\_\_\_\_

Architect/Engineer \_\_\_\_\_

2 3/8"  
[60mm]

5SP-12  
equip 12" Swing  
Nozzle w/ Laminar  
Flow Device

equip 44" Flexible  
Stainless Steel Hose  
w/ Spring & Spray  
Valve

Items Not Shown  
For Clarity

3/8" NPT x 18" Riser

Finger Hook

12 1/8"  
[308mm]

13 13/16"  
[350mm]

11 3/8"  
[288mm]

Quarter-Turn Ceramic  
Cartridge & equip Lever  
Handle w/ Color Coded  
Screw

Rough-In Requirement:  
Ø 1" [25mm] Mounting Hole

Model Number

**5PR-1S12**

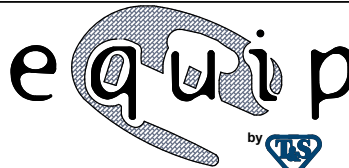
Product Compliance:

ASME A112.18.1 / CSA B125.1  
NSF 61 - Section 9  
NSF 372 (Low Lead Content)  
2019 DOE PRSV - Class II

Product Specifications:

PRU: Single Hole Deck Mount Faucet, Quarter-Turn Ceramic Cartridge, equip 12" Swing Nozzle, equip 44" Flexible Stainless Steel Hose, 1.15 GPM equip Spray Valve, 6" Wall Bracket & 1/2" NPSM Male Inlet

equip  
Foodservice  
Accessories



2 Saddleback Cove, P.O. Box 1088  
Travelers Rest, South Carolina 29690  
Phone: 800.891.4808 Fax: 800.868.0084  
equip.tsbrass.com

013716-40  
6" Wall  
Bracket

5SV  
1.15 GPM  
equip Spray  
Valve

2 5/16"  
[59mm]

16 1/2"  
[419mm]

Mounting Surface

1 5/8"  
[42mm]  
Maximum  
Thickness

5AFL12  
Add-On Faucet w/  
Quarter-Turn  
Ceramic Cartridge,  
equip Lever Handle  
& equip 12" Swing  
Nozzle

39 1/16"  
[992mm]

2 1/2"  
[63mm]

Ø 2 1/4" [57mm]  
Flange w/ 1/2" NPSM  
Male Inlet

Drawn: AMG

Checked: JRM

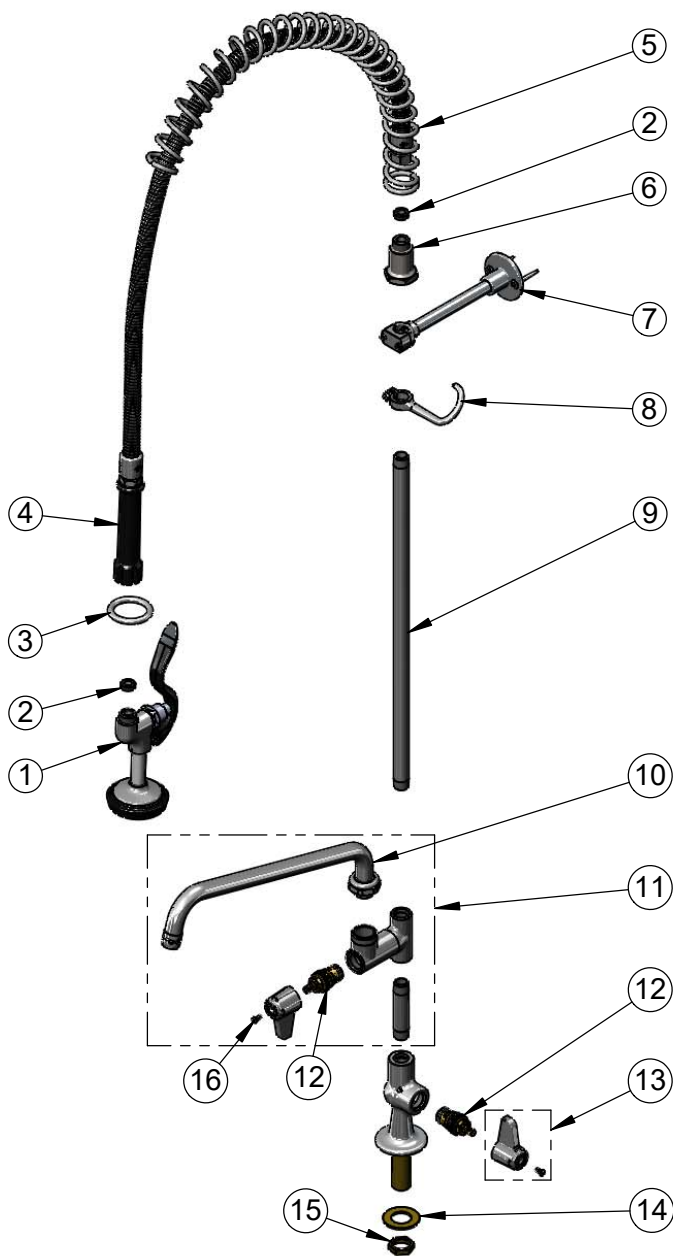
Approved: JHB

Date: 10/15/18

Scale: 1:8

Sheet: 1 of 2

ITEM NO.	SALES NO.	DESCRIPTION
1	5SV	1.15 GPM equip Spray Valve
2	010476-45	#27 Washer
3	000907-45	Spray Valve Hold Down Ring
4	5HSE44	equip 44" Flexible Stainless Steel Hose
5	014068-45	Overhead Spring
6	000821-40	Spring Body
7	013716-40	6" Wall Bracket
8	004R	Finger Hook
9	000369-40	3/8" NPT x 18" Riser
10	5SP-12	equip 12" Swing Nozzle
11	5AFL12	Add-On Faucet w/ equip 12" Swing Nozzle
12	013787-45	equip Quarter-Turn Ceramic Cartridge, RTC
13	5-HDL-L	equip Lever Handle w/ Color Coded Screws
14	000999-45	Brass Lock Washer
15	002954-45	Shank Lock Nut
16	013849-45	Screw, 4mm Metric (10)



Model Number

**5PR-1S12**

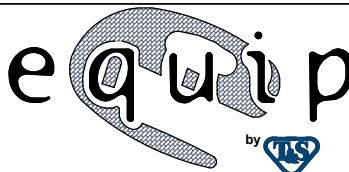
Product Specifications:

PRU: Single Hole Deck Mount Faucet, Quarter-Turn Ceramic Cartridge, equip 12" Swing Nozzle, equip 44" Flexible Stainless Steel Hose, 1.15 GPM equip Spray Valve, 6" Wall Bracket & 1/2" NPSM Male Inlet

Product Compliance:

ASME A112.18.1 / CSA B125.1  
NSF 61 - Section 9  
NSF 372 (Low Lead Content)  
2019 DOE PRSV - Class II

equip  
Foodservice  
Accessories



2 Saddleback Cove, P.O. Box 1088  
Travelers Rest, South Carolina 29690  
Phone: 800.891.4808 Fax: 800.868.0084  
equip.tsbrass.com