

This Space for Architect/Engineer Approval

Job Name _____ Date _____

Model Specified _____ Quantity _____

Customer/Wholesaler _____

Contractor _____

Architect/Engineer _____

Rough-In Requirement:
 Ø 1 1/2" [Ø 38mm] Mounting Hole

Model Number <h2 style="text-align: center; margin: 0;">5PR-2S00</h2>	Product Specifications: Pre-Rinse Unit: Single Hole Deck Mount Mixing Faucet, Ceramic Cartridges, Lever Handles, 44" Flexible Stainless Steel Hose, 1.15 GPM Spray Valve, 1/2" BSPP In-Line Check Valves, 6" Wall Bracket & (2) 18" Flexible Supply Hoses
--	---

Product Compliance:

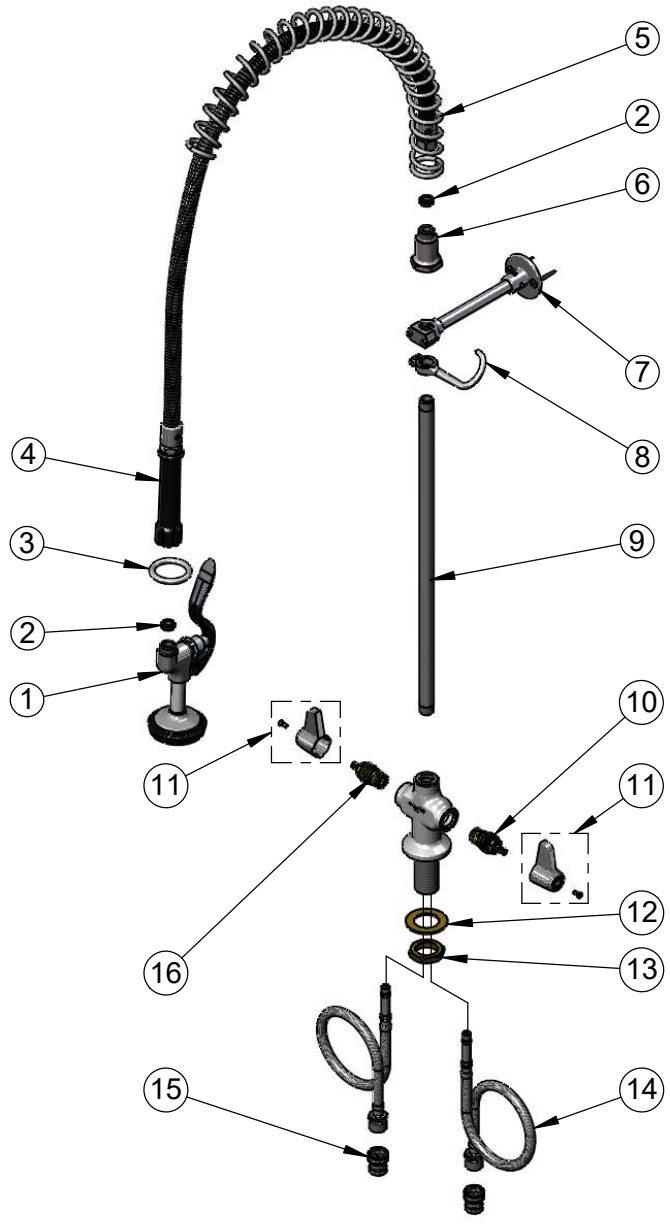
ASME A112.18.1 / CSA B125.1
 NSF 61 - Section 9
 NSF 372 (Low Lead Content)
 2019 DOE PRSV - Class II

equip
Foodservice
Accessories

by

2 Saddleback Cove, P.O. Box 1088
 Travelers Rest, South Carolina 29690
 Phone: 800.891.4808 Fax: 800.868.0084
 equip.tsbrass.com

ITEM NO.	SALES NO.	DESCRIPTION
1	5SV	equip 1.15 GPM Spray Valve
2	010476-45	#27 Washer
3	000907-45	Spray Valve Hold Down Ring
4	5HSE44	equip 44" Flexible Stainless Steel Hose
5	014068-45	Overhead Spring
6	000821-40	Spring Body
7	013716-40	6" Wall Bracket
8	004R	Finger Hook
9	000369-40	3/8" NPT x 18" Riser
10	013788-45	equip Ceramic Cartridge, LTC
11	5-HDL-L	equip Lever Handle w/ Color Coded Screws
12	002290-45	Lock Washer
13	000965-45	Lock Nut
14	012534-45	18" Flexible Supply Hose (2)
15	010321-45	1/2" BSPP In-Line Check Valve
16	013787-45	equip Ceramic Cartridge, RTC



Model Number
5PR-2S00

Product Compliance:
ASME A112.18.1 / CSA B125.1
NSF 61 - Section 9
NSF 372 (Low Lead Content)
2019 DOE PRSV - Class II

Product Specifications:
Pre-Rinse Unit: Single Hole Deck Mount Mixing Faucet, Ceramic Cartridges, Lever Handles, 44" Flexible Stainless Steel Hose, 1.15 GPM Spray Valve, 1/2" BSPP In-Line Check Valves, 6" Wall Bracket & (2) 18" Flexible Supply Hoses

equip Foodservice Accessories



2 Saddleback Cove, P.O. Box 1088
Travelers Rest, South Carolina 29690
Phone: 800.891.4808 Fax: 800.868.0084
equip.tsbrass.com