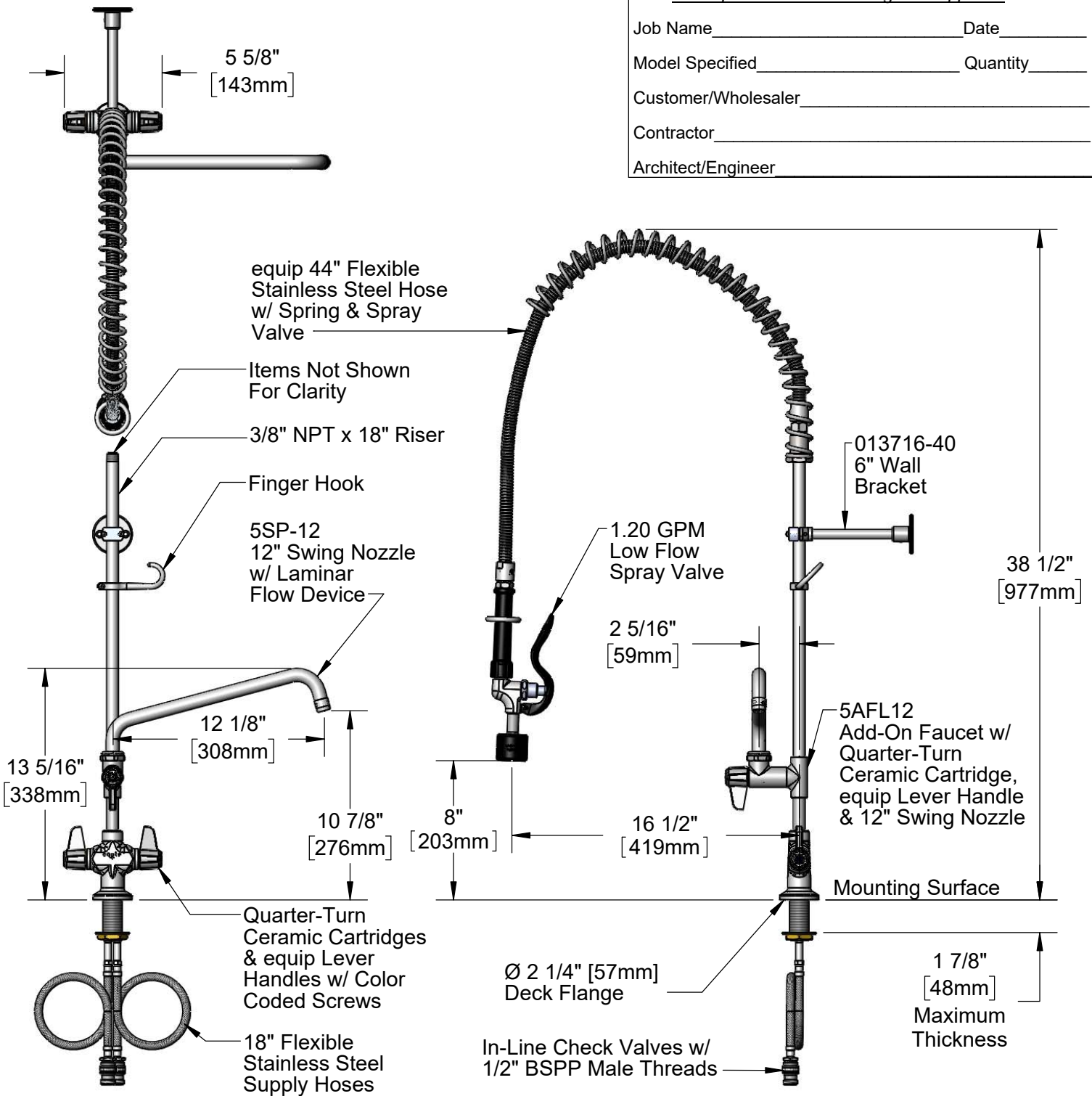


*This Space for Architect/Engineer Approval*

Job Name \_\_\_\_\_ Date \_\_\_\_\_  
 Model Specified \_\_\_\_\_ Quantity \_\_\_\_\_  
 Customer/Wholesaler \_\_\_\_\_  
 Contractor \_\_\_\_\_  
 Architect/Engineer \_\_\_\_\_



Rough-In Requirement:  
 Ø 1 1/2" [Ø 38mm] Mounting Hole

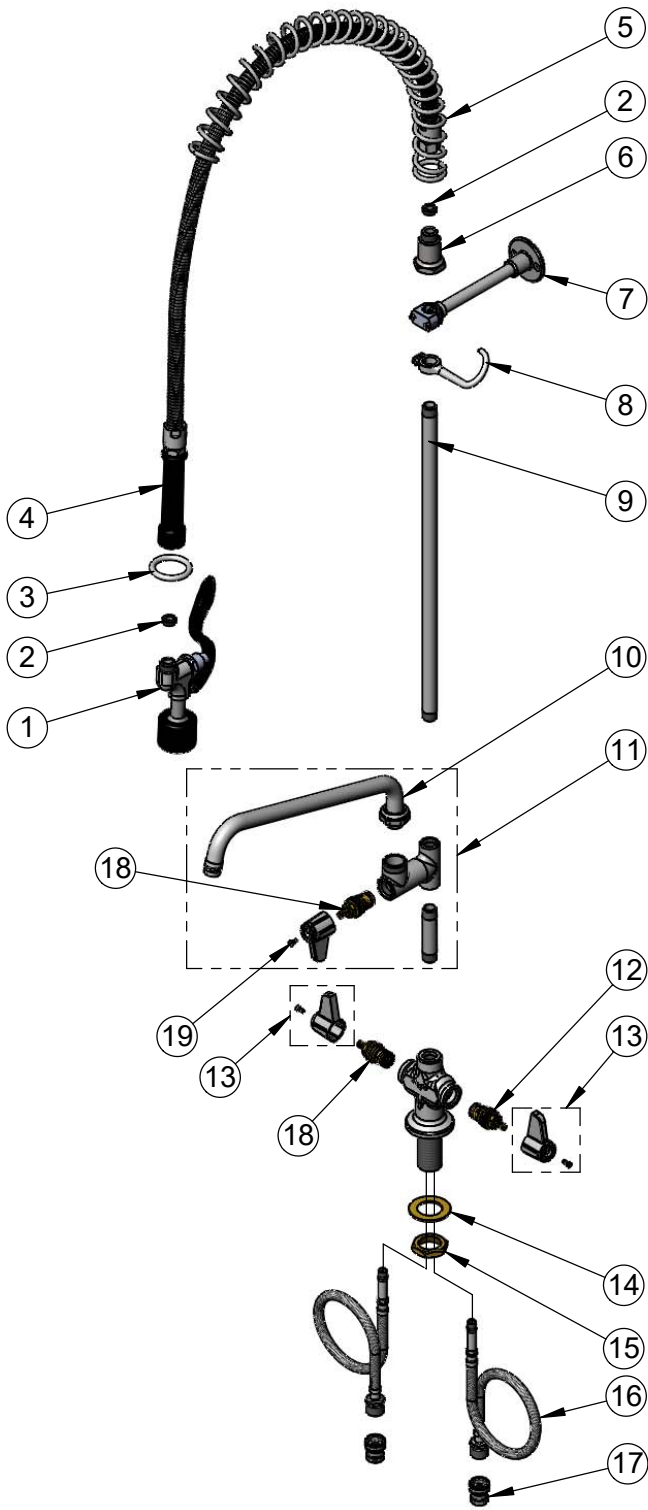
Model Number <h2 style="text-align: center;">5PR-2S12-C</h2>	Product Specifications: Pre-Rinse Unit: Single Hole Deck Mount Mixing Faucet, Quarter-Turn Ceramic Cartridges, Add-On Faucet w/ 12" Swing Nozzle, 6" Wall Bracket, 1.20 GPM Low Flow Spray Valve, 1/2" BSPP In-Line Check Valves & 18" Flexible Stainless Steel Supply Hoses
---	---

Product Compliance:

ASME A112.18.1 / CSA B125.1  
 NSF 61 - Section 9  
 NSF 372 (Low Lead Content)  
 2019 DOE PRSV - Class II

equip  
Foodservice  
Accessories

2 Saddleback Cove, P.O. Box 1088  
 Travelers Rest, South Carolina 29690  
 Phone: 800.891.4808 Fax: 800.868.0084  
 equip.tsbrass.com



ITEM NO.	SALES NO.	DESCRIPTION
1	5SV-C	1.20 GPM equip Low Flow Spray Valve
2	010476-45	#27 Washer
3	000907-45	Spray Valve Hold Down Ring
4	5HSE44	equip 44" Flexible Stainless Steel Hose w/ Black Handle & Washer
5	014068-45	Overhead Spring
6	000821-40	Spring Body
7	013716-40	6" Wall Bracket
8	004R	Finger Hook
9	000369-40	3/8" NPT x 18" Riser
10	5SP-12	equip 12" Swing Nozzle
11	5AFL12	Add-On Faucet w/ 12" Swing Nozzle
12	013788-45	equip Quarter-Turn Ceramic Cartridge, LTC
13	5-HDL-L	equip Lever Handle w/ Color Coded Screws
14	002290-45	Lock Washer
15	000965-45	Lock Nut
16	012534-45	18" Flexible Supply Hose (2)
17	010321-45	1/2" BSPP In-Line Check Valve
18	013787-45	equip Quarter-Turn Ceramic Cartridge, RTC
19	013849-45	Handle Screw (10)

Model Number

**5PR-2S12-C**

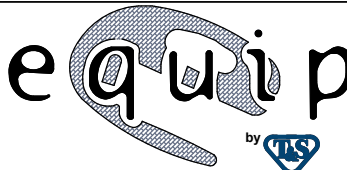
Product Specifications:

Pre-Rinse Unit: Single Hole Deck Mount Mixing Faucet, Quarter-Turn Ceramic Cartridges, Add-On Faucet w/ 12" Swing Nozzle, 6" Wall Bracket, 1.20 GPM Low Flow Spray Valve, 1/2" BSPP In-Line Check Valves & 18" Flexible Stainless Steel Supply Hoses

Product Compliance:

ASME A112.18.1 / CSA B125.1  
 NSF 61 - Section 9  
 NSF 372 (Low Lead Content)  
 2019 DOE PRSV - Class II

equip  
 Foodservice  
 Accessories



2 Saddleback Cove, P.O. Box 1088  
 Travelers Rest, South Carolina 29690  
 Phone: 800.891.4808 Fax: 800.868.0084  
 equip.tsbrass.com