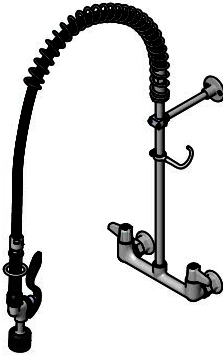
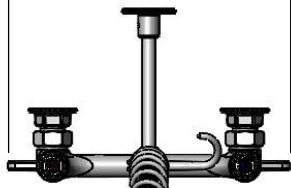


This Space for Architect/Engineer Approval

Job Name _____ Date _____
 Model Specified _____ Quantity _____
 Customer/Wholesaler _____
 Contractor _____
 Architect/Engineer _____

11 3/4"
[299mm]



44" Flexible
Stainless Steel
Hose w/ Spring
& Spray Valve

31 7/16"
[798mm]

Items not Shown
for Clarity

3/8" NPT x 18" Riser

Finger Hook

Ceramic Cartridges
& equip Lever Handles
w/ Color Coded Screws

013716-40
6" Wall
Bracket

5SV-C
1.20 GPM
Spray Valve

Mounting
Surface

13/16"
[21mm]

16 1/2"
[419mm]

8"
[203mm]

Adjustable From
7 3/4" to 8 1/4"
[197mm to 210mm]

Ø 2" [51mm]
Flanges w/
Inline Check
Valves & 1/2" NPT
Female Inlets



B-0230-K
1/2" NPT
Short EI Installation Kit
(Sold Separately)

Model Number

5PR-8W00-C

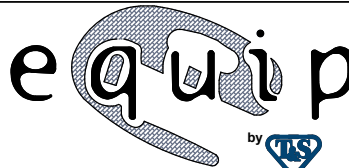
Product Specifications:

Pre-Rinse Unit: 8" Wall Mount Mixing Faucet, Quarter-Turn Ceramic Cartridges, 6" Wall Bracket, 1.20 GPM Spray Valve, In-Line Check Valves, 44" Flex Hose & 1/2" NPT Female Inlets

Product Compliance:

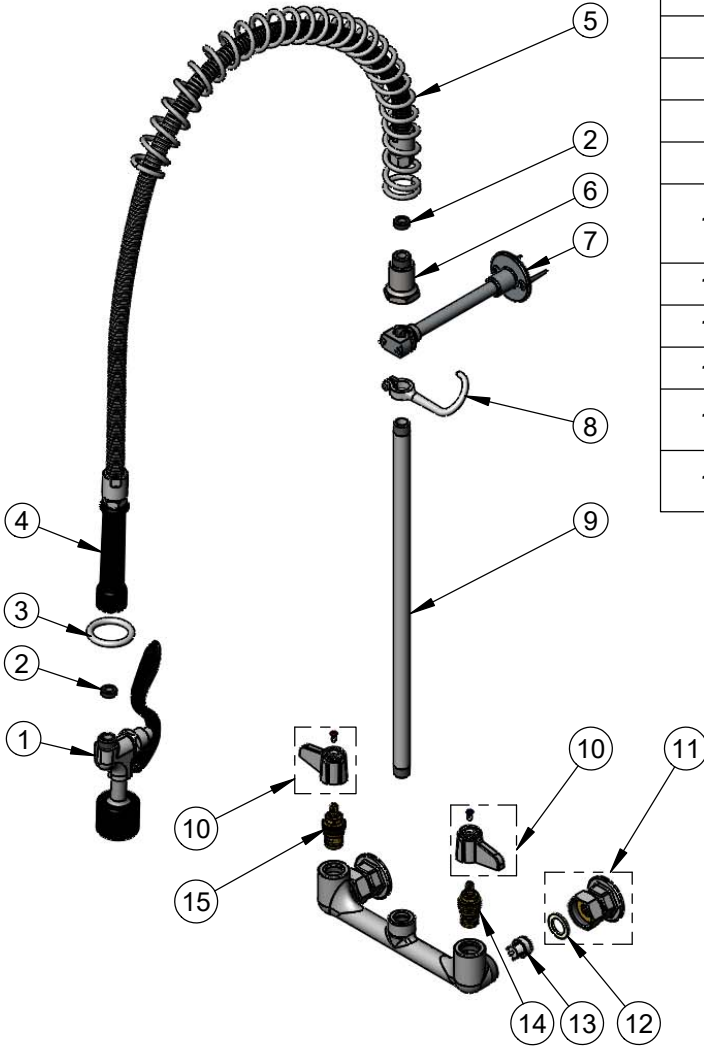
ASME A112.18.1 / CSA B125.1
NSF 61 - Section 9
NSF 372 (Low Lead Content)
2019 DOE PRSV - Class II

equip
Foodservice
Accessories



2 Saddleback Cove, P.O. Box 1088
Travelers Rest, South Carolina 29690
Phone: 800.891.4808 Fax: 800.868.0084
equip.tsbrass.com

ITEM NO.	SALES NO.	DESCRIPTION
1	5SV-C	equip 1.20 GPM Low Flow Spray Valve
2	010476-45	#27 Washer
3	000907-45	Spray Valve Hold Down Ring
4	5HSE44	44" Flexible Stainless Steel Hose
5	014068-45	Overhead Spring
6	000821-40	Spring Body
7	013716-40	6" Wall Bracket
8	004R	Finger Hook
9	000369-40	3/8" NPT x 18" Riser
10	5-HDL-L	equip Lever Handle w/ Color Coded Screws
11	00AA	1/2" NPT Female Inlet Flange
12	001019-45	Coupling Nut Washer
13	013840-45	20mm Check Valve (2)
14	013788-45	equip Quarter-Turn Ceramic Cartridge, LTC
15	013787-45	equip Quarter-Turn Ceramic Cartridge, RTC



Model Number

5PR-8W00-C

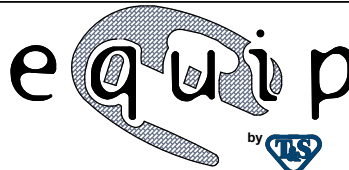
Product Specifications:

Pre-Rinse Unit: 8" Wall Mount Mixing Faucet, Quarter-Turn Ceramic Cartridges, 6" Wall Bracket, 1.20 GPM Spray Valve, In-Line Check Valves, 44" Flex Hose & 1/2" NPT Female Inlets

Product Compliance:

ASME A112.18.1 / CSA B125.1
NSF 61 - Section 9
NSF 372 (Low Lead Content)
2019 DOE PRSV - Class II

equip
Foodservice
Accessories



2 Saddleback Cove, P.O. Box 1088
Travelers Rest, South Carolina 29690
Phone: 800.891.4808 Fax: 800.868.0084
equip.tsbrass.com