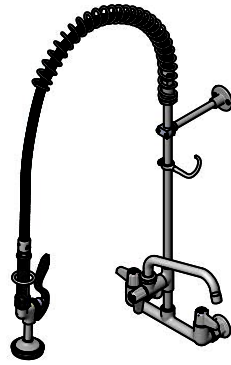
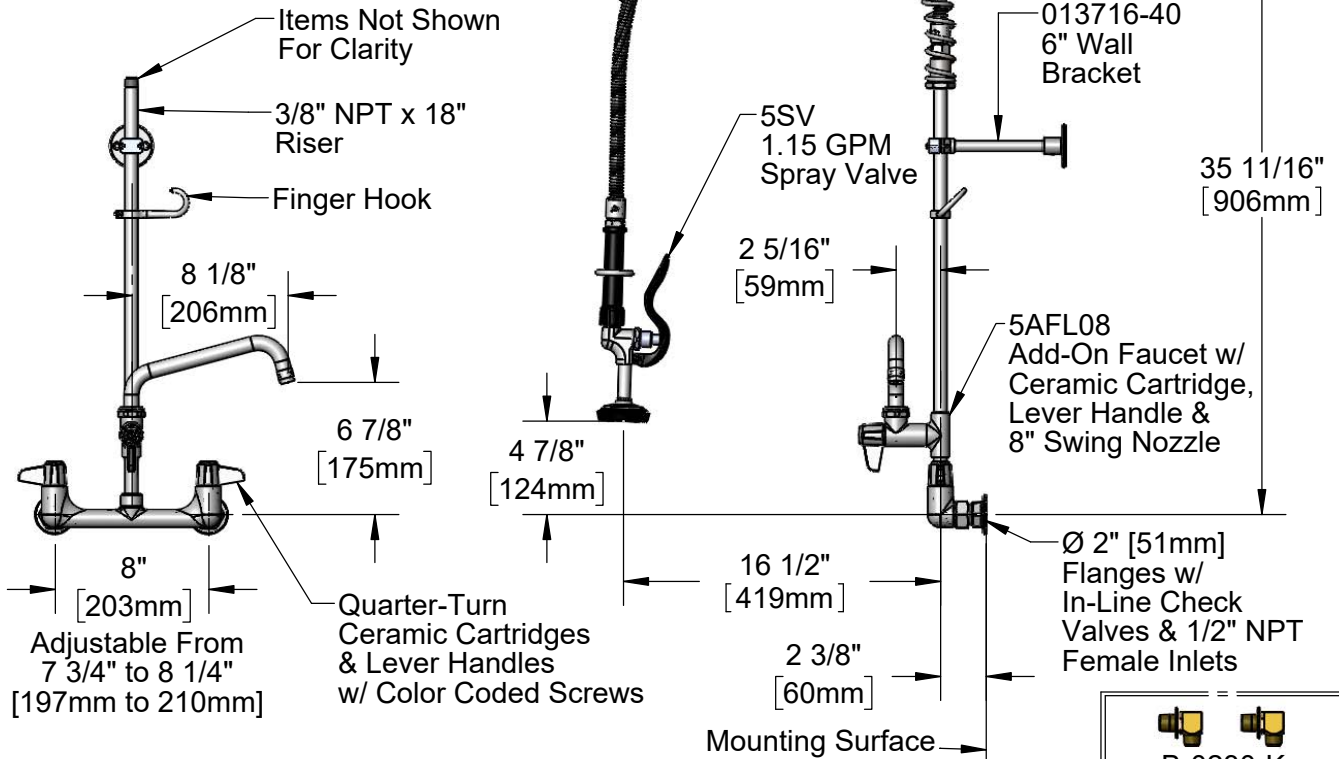


5SP-08
8" Swing Nozzle
w/ Laminar
Flow Device



44" Flexible
Stainless Steel
Hose w/ Spring
& Spray Valve



Adjustable From
7 3/4" to 8 1/4"
[197mm to 210mm]

Quarter-Turn
Ceramic Cartridges
& Lever Handles
w/ Color Coded Screws

Mounting Surface



This Space for Architect/Engineer Approval

Job Name _____ Date _____

Model Specified _____ Quantity _____

Customer/Wholesaler _____

Contractor _____

Architect/Engineer _____

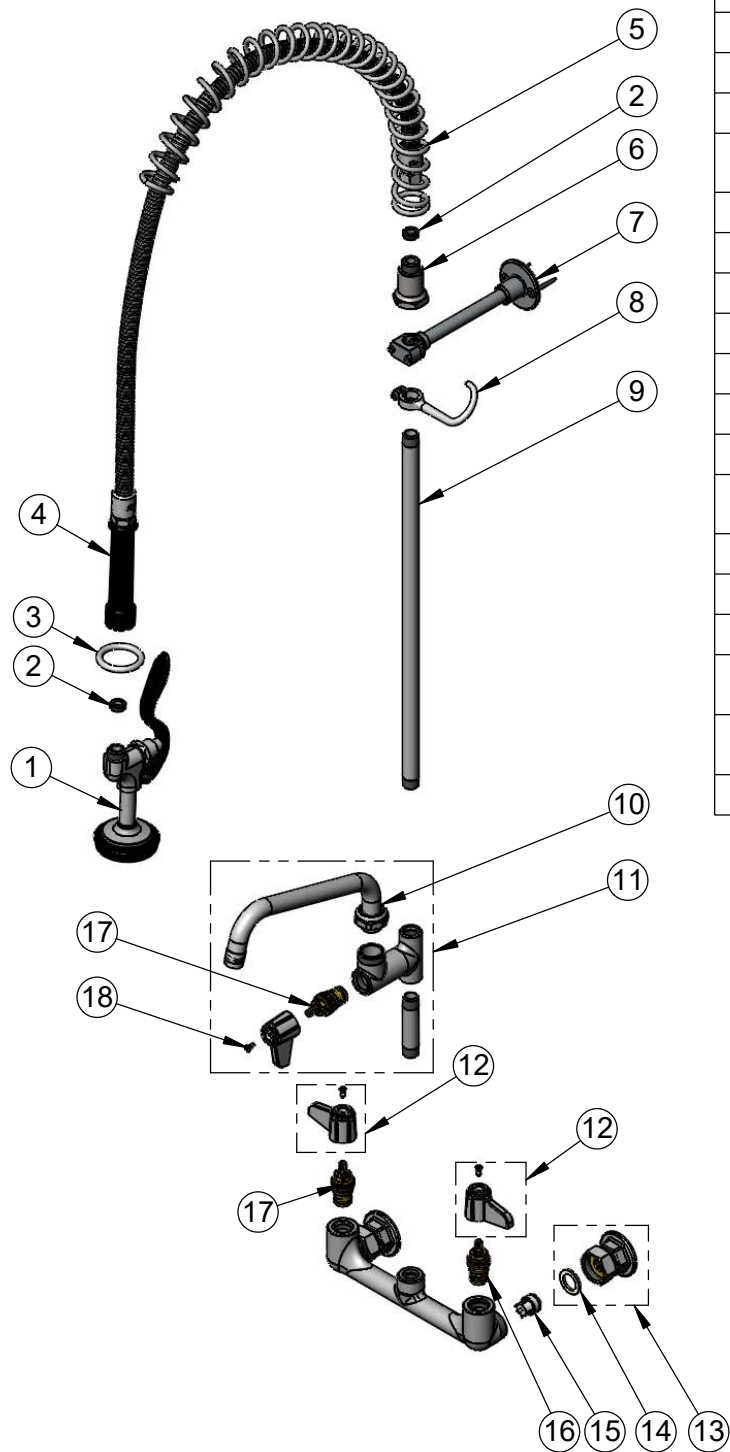
Model Number
5PR-8W08

Product Specifications:
Pre-Rinse Unit: 8" Wall Mount Mixing Faucet, Quarter-Turn Ceramic Cartridges, Lever Handles, Add-On Faucet w/ 8" Swing Nozzle, 44" Flexible Stainless Steel Hose, 1.15 GPM Spray Valve, 6" Wall Bracket, In-Line Check Valves & 1/2" NPT Female Inlets

Product Compliance:
ASME A112.18.1 / CSA B125.1
NSF 61 - Section 9
NSF 372 (Low Lead Content)
2019 DOE PRSV - Class II

equip
Foodservice
Accessories

2 Saddleback Cove, P.O. Box 1088
Travelers Rest, South Carolina 29690
Phone: 800.891.4808 Fax: 800.868.0084
equip.tsbrass.com



ITEM NO.	SALES NO.	DESCRIPTION
1	5SV	equip 1.15 GPM Spray Valve
2	010476-45	#27 Washer
3	000907-45	Spray Valve Hold Down Ring
4	5HSE44	equip 44" Flexible Stainless Steel Hose
5	014068-45	Overhead Spring
6	000821-40	Spring Body
7	013716-40	6" Wall Bracket
8	004R	Finger Hook
9	000369-40	3/8" NPT x 18" Riser
10	5SP-08	equip 8" Swing Nozzle
11	5AFL08	Add-On Faucet w/ 8" Swing Nozzle
12	5-HDL-L	equip Lever Handle w/ Color Coded Screws
13	00AA	1/2" NPT Female Eccentric Flange
14	001019-45	Coupling Nut Washer
15	013840-45	20mm Check Valve (2)
16	013788-45	equip Quarter-Turn Ceramic Cartridge, LTC
17	013787-45	equip Quarter-Turn Ceramic Cartridge, RTC
18	013849-45	Handle Screw (10)

Model Number

5PR-8W08

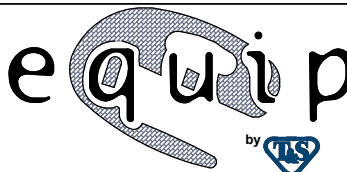
Product Specifications:

Pre-Rinse Unit: 8" Wall Mount Mixing Faucet, Quarter-Turn Ceramic Cartridges, Lever Handles, Add-On Faucet w/ 8" Swing Nozzle, 44" Flexible Stainless Steel Hose, 1.15 GPM Spray Valve, 6" Wall Bracket, In-Line Check Valves & 1/2" NPT Female Inlets

Product Compliance:

ASME A112.18.1 / CSA B125.1
 NSF 61 - Section 9
 NSF 372 (Low Lead Content)
 2019 DOE PRSV - Class II

equip
 Foodservice
 Accessories



2 Saddleback Cove, P.O. Box 1088
 Travelers Rest, South Carolina 29690
 Phone: 800.891.4808 Fax: 800.868.0084
 equip.tsbrass.com