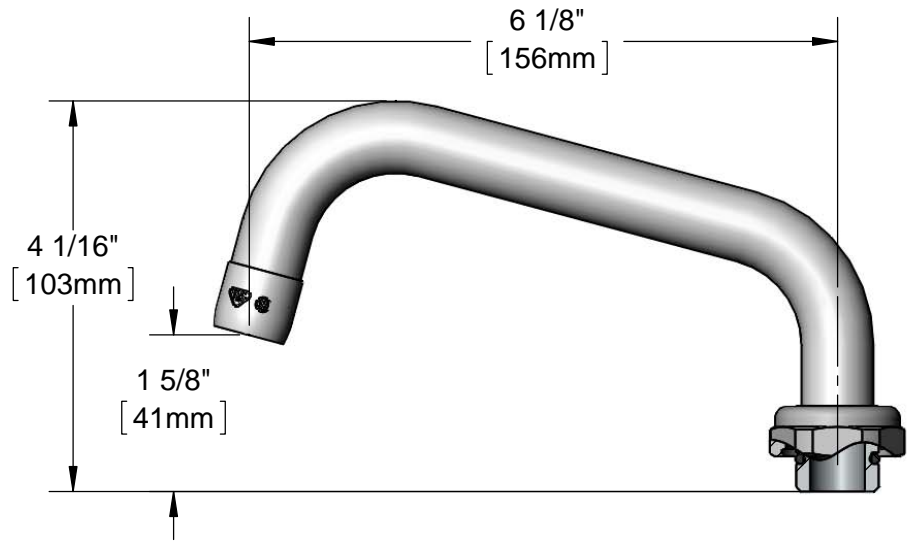


Laminar Flow Outlet Device



This Space for Architect/Engineer Approval

Job Name _____ Date _____

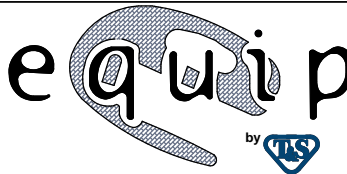
Model Specified _____ Quantity _____

Customer/Wholesaler _____

Contractor _____

Architect/Engineer _____

Note:
 Conversion to Rigid Requires 014200-45 Lock Washer
 (Available Separately)

Model Number <h2 style="text-align: center;">5SP-06</h2>	Product Specifications: <h3 style="text-align: center;">6" Swing Nozzle w/ Laminar Flow Outlet Device</h3>				
Product Compliance: ASME A112.18.1 / CSA B125.1 NSF 61 - Section 9 NSF 372 (Low Lead Content)	<div style="display: flex; justify-content: space-between; align-items: center;"> <div data-bbox="602 1906 740 1980"> <p>equip Foodservice Accessories</p> </div> <div data-bbox="745 1858 1089 2030">  </div> <div data-bbox="1097 1894 1570 1997"> <p>2 Saddleback Cove, P.O. Box 1088 Travelers Rest, South Carolina 29690 Phone: 800.891.4808 Fax: 800.868.0084 equip.tsbrass.com</p> </div> </div>				
Drawn: JBC	Checked: JRM	Approved: JHB	Date: 11/21/16	Scale: 1:2	Sheet: 1 of 1