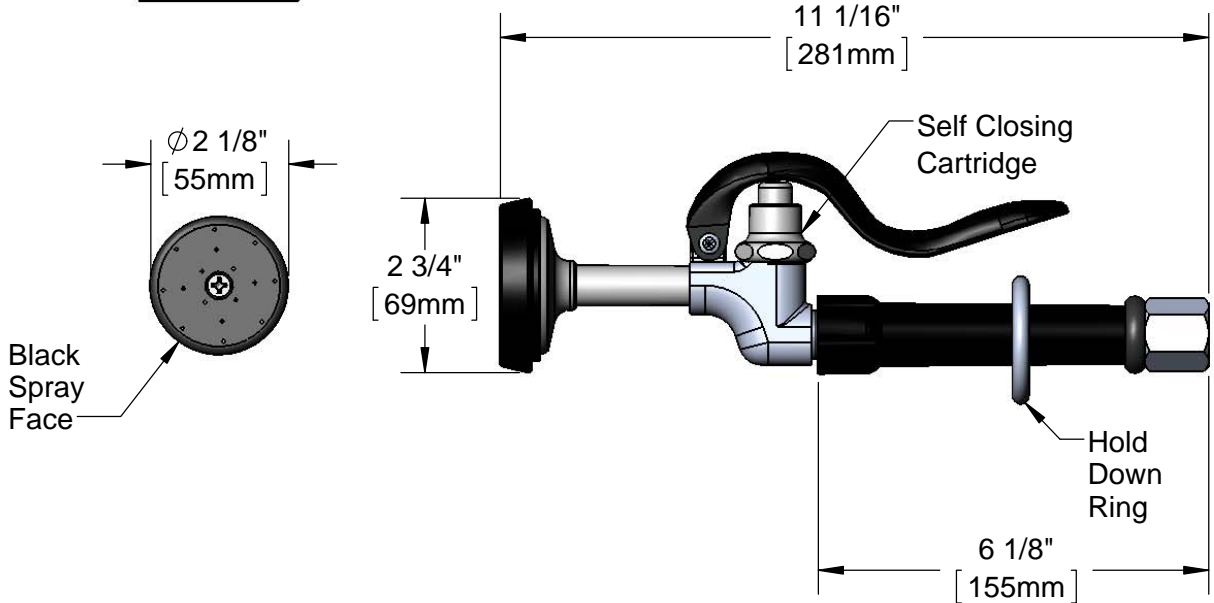
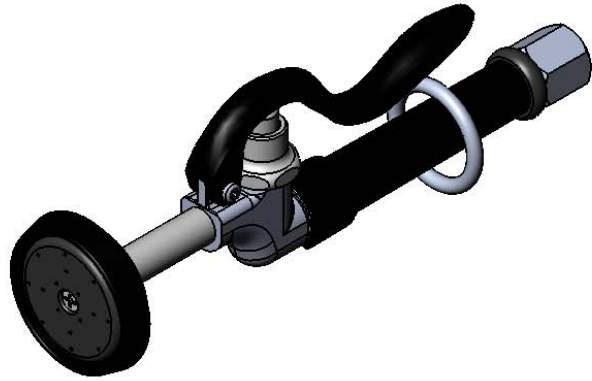
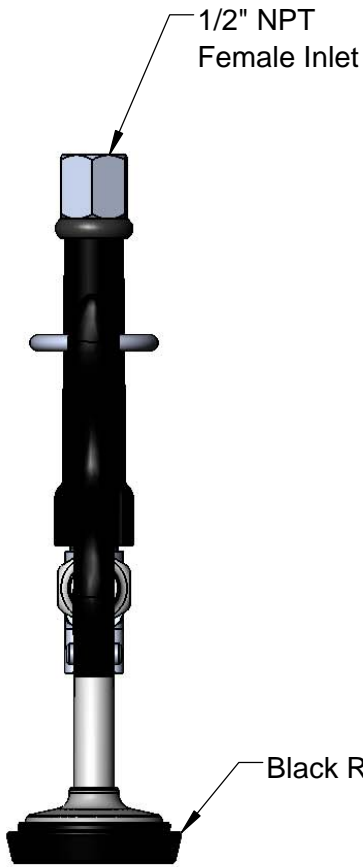


*This Space for Architect/Engineer Approval*

Job Name \_\_\_\_\_ Date \_\_\_\_\_  
 Model Specified \_\_\_\_\_ Quantity \_\_\_\_\_  
 Customer/Wholesaler \_\_\_\_\_  
 Contractor \_\_\_\_\_  
 Architect/Engineer \_\_\_\_\_



Model Number  
**5SV-WH**

Product Specifications:  
 equip High Flow Black Spray Valve

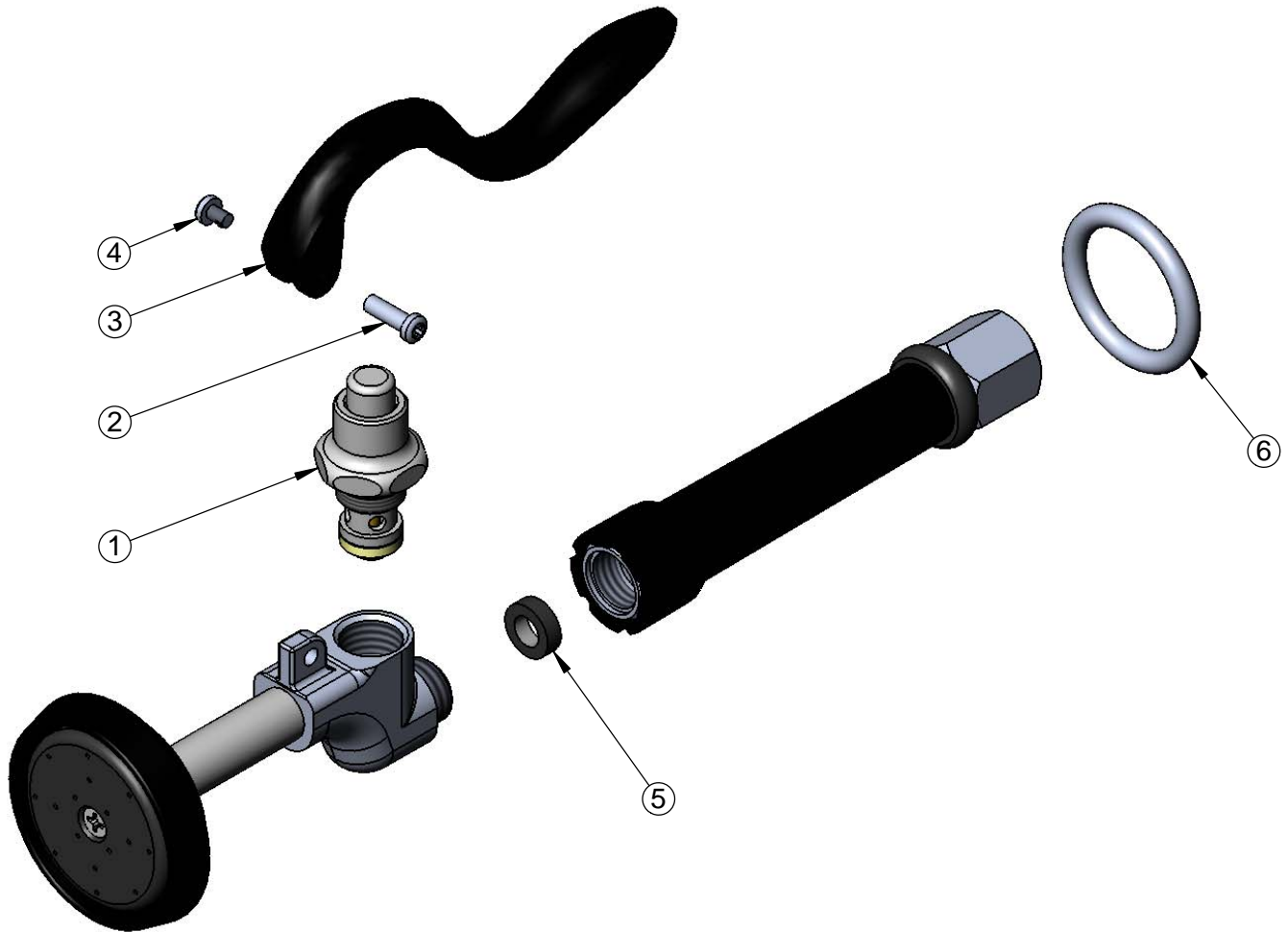
Product Compliance:  
 ASME A112.18.1 / CSA B125.1  
 NSF 61 - Section 9  
 NSF 372 (Low Lead Content)  
 EPA Act 2005 Non-Compliant (PRSV)  
 Product Not Designed/Intended for  
 Commercial Warewashing in North America

equip Foodservice Accessories



2 Saddleback Cove, P.O. Box 1088  
 Travelers Rest, South Carolina 29690  
 Phone: 800.891.4808 Fax: 800.868.0084  
 equip.tsbrass.com

ITEM NO.	SALES NO.	DESCRIPTION
1	002856-40	B-107 Bonnet
2	003198-45	Spray Valve Handle Nut
3	001120-45	Spray Valve Handle
4	003199-45	Spray Valve Handle Screw
5	010476-45	#27 Washer
6	000907-45	Spray Valve Hold Down Ring



Model Number

**5SV-WH**

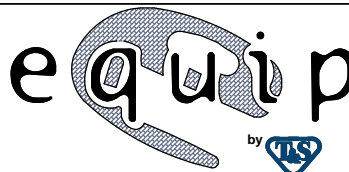
Product Specifications:

equip High Flow Black Spray Valve

Product Compliance:

ASME A112.18.1 / CSA B125.1  
 NSF 61 - Section 9  
 NSF 372 (Low Lead Content)  
 EPA Act 2005 Non-Compliant (PRSV)  
 Product Not Designed/Intended for  
 Commercial Warewashing in North America

equip  
 Foodservice  
 Accessories



2 Saddleback Cove, P.O. Box 1088  
 Travelers Rest, South Carolina 29690  
 Phone: 800.891.4808 Fax: 800.868.0084  
 equip.tsbrass.com