



T&S BRASS AND BRONZE WORKS, INC.
 2 Saddleback Cove / P.O. Box 1088
 Travelers Rest, SC 29690

Model No.
B-0044-V9

Item No.

Travelers Rest, SC: 800-476-4103 • Simi Valley, CA: 800-423-0150 • Fax: 864-834-3518 • www.tsbrass.com

This Space for Architect/Engineer Approval

Job Name _____ Date _____

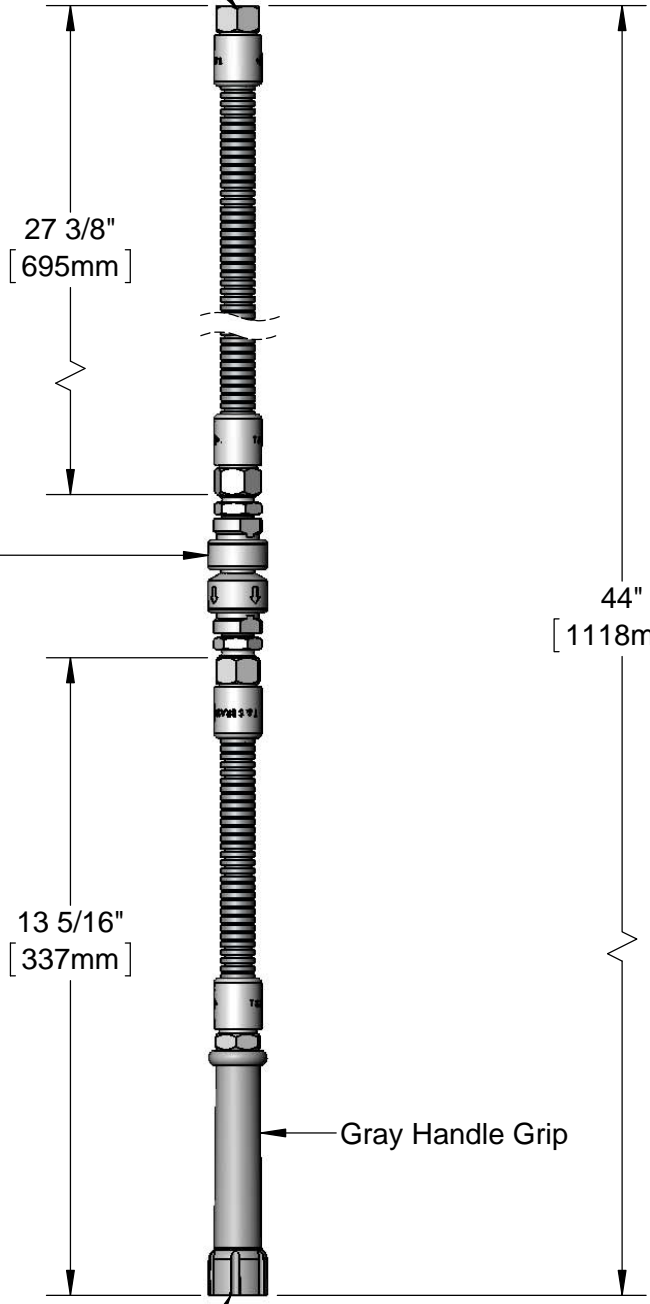
Model Specified _____ Quantity _____

Customer/Wholesaler _____


Contractor _____

Architect/Engineer _____

3/4-14 UN
 Female Inlet



B-0970-FE
 Continuous
 Pressure
 Atmospheric
 Vacuum Breaker


 (2) 010476-45
 Washers
 (Included)

3/4-14 UN
 Female Outlet

Gray Handle Grip

Product Specifications:
 44" Flexible Stainless Steel Hose w/ Inner Polyurethane Hose,
 B-0970-FE Continuous Pressure Vacuum Breaker & Gray Handle

Product Compliance:
 ASME A112.18.1 / CSA B125.1
 NSF 61 - Section 9
 NSF 372 (Low Lead Content)
 CSA B64.8