



**T&S BRASS AND BRONZE WORKS, INC.**  
 2 Saddleback Cove / P.O. Box 1088  
 Travelers Rest, SC 29690

Model No.

**B-0100-C-SWV**

Item No.

Travelers Rest, SC: 800-476-4103 • Simi Valley, CA: 800-423-0150 • Fax: 864-834-3518 • www.tsbrass.com

This Space for Architect/Engineer Approval

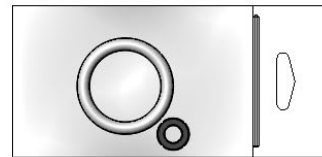
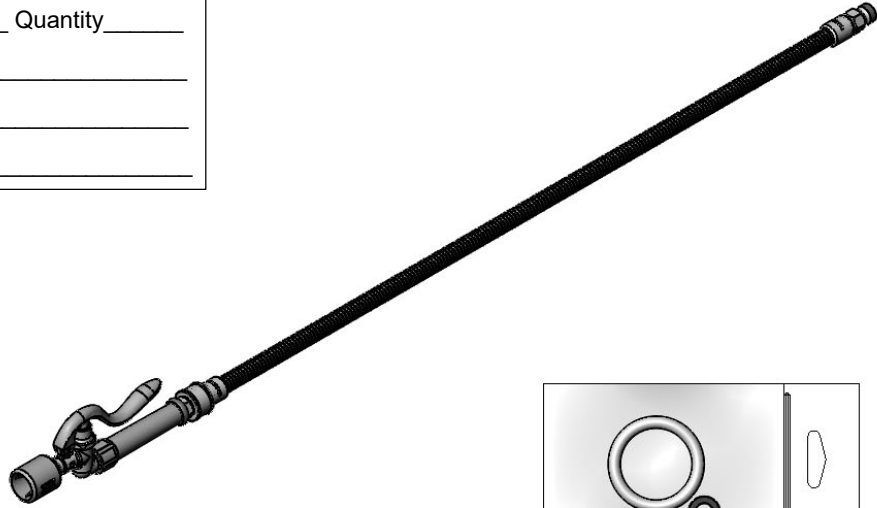
Job Name \_\_\_\_\_ Date \_\_\_\_\_

Model Specified \_\_\_\_\_ Quantity \_\_\_\_\_

Customer/Wholesaler \_\_\_\_\_

Contractor \_\_\_\_\_

Architect/Engineer \_\_\_\_\_



Hold Down Ring w/  
Hose Washer  
(Included)

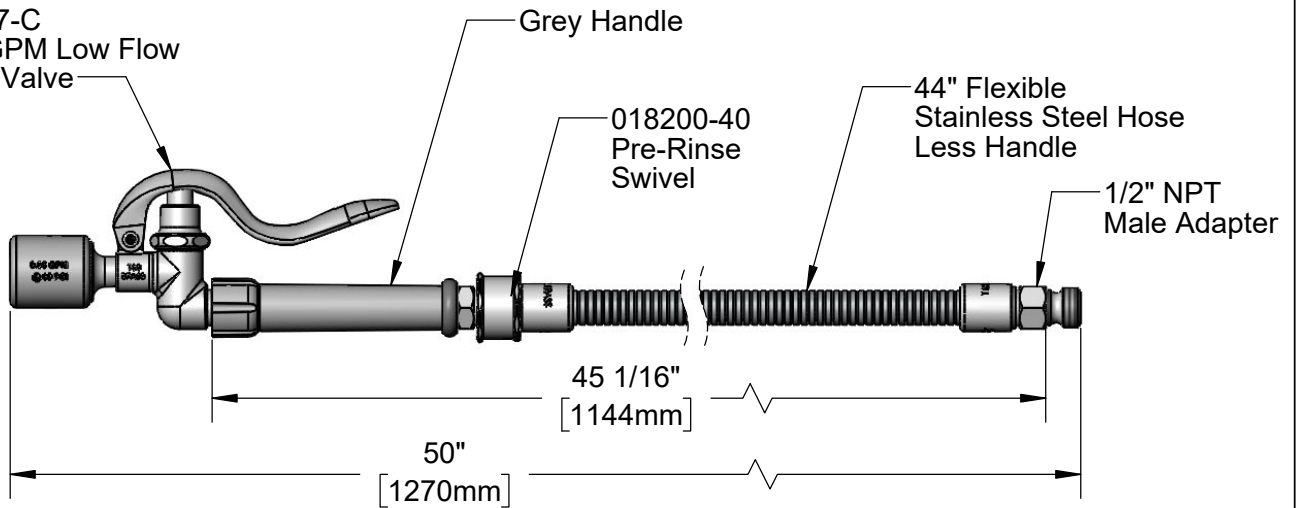
B-0107-C  
0.65 GPM Low Flow  
Spray Valve

Grey Handle

018200-40  
Pre-Rinse  
Swivel

44" Flexible  
Stainless Steel Hose  
Less Handle

1/2" NPT  
Male Adapter



Product Specifications:

Pre-Rinse Unit Accessory  
 0.65 GPM Low Flow Spray Valve w/ 44" Flexible Stainless Steel Hose &  
 Pre-Rinse Swivel

Product Compliance:

ASME A112.18.1 / CSA B125.1  
 NSF 61 - Section 9  
 NSF 372 (Low Lead Content)  
 2019 DOE PRSV - Class I

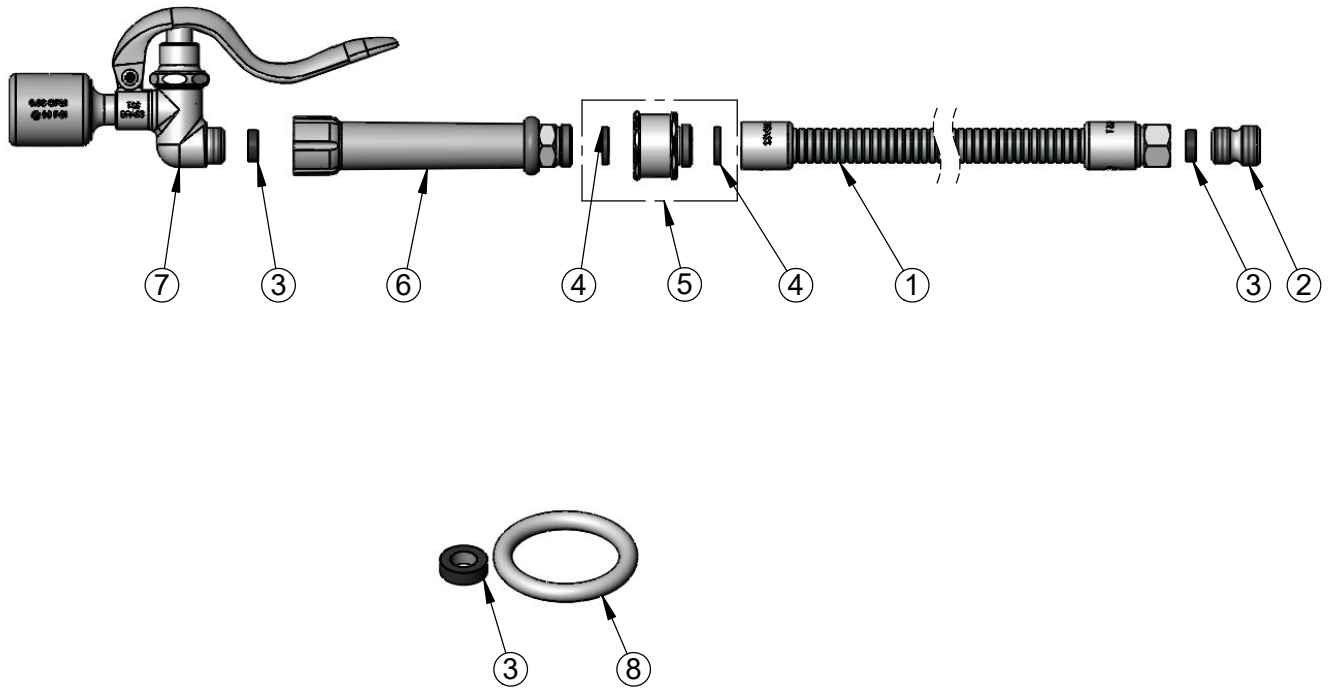


**T&S BRASS AND BRONZE WORKS, INC.**  
 2 Saddleback Cove / P.O. Box 1088  
 Travelers Rest, SC 29690

Model No.  
**B-0100-C-SWV**  
 Item No.

Travelers Rest, SC: 800-476-4103 • Simi Valley, CA: 800-423-0150 • Fax: 864-834-3518 • www.tsbrass.com

ITEM NO.	SALES NO.	DESCRIPTION
1	B-0044-H2A	44" Flexible Stainless Steel Hose
2	055A	Adapter
3	010476-45	#27 Washer
4	001014-45	Washer, B-0100 Hose Barrel
5	018200-40	Pre-Rinse Swivel
6	002987-40	Grey Handle
7	B-0107-C	0.65 GPM Low Flow Spray Valve
8	000907-45	Spray Valve Hold Down Ring



Product Specifications:  
 Pre-Rinse Unit Accessory  
 0.65 GPM Low Flow Spray Valve w/ 44" Flexible Stainless Steel Hose &  
 Pre-Rinse Swivel

Product Compliance:  
 ASME A112.18.1 / CSA B125.1  
 NSF 61 - Section 9  
 NSF 372 (Low Lead Content)  
 2019 DOE PRSV - Class I