



**T&S BRASS AND BRONZE WORKS, INC.**  
 2 Saddleback Cove / P.O. Box 1088  
 Travelers Rest, SC 29690

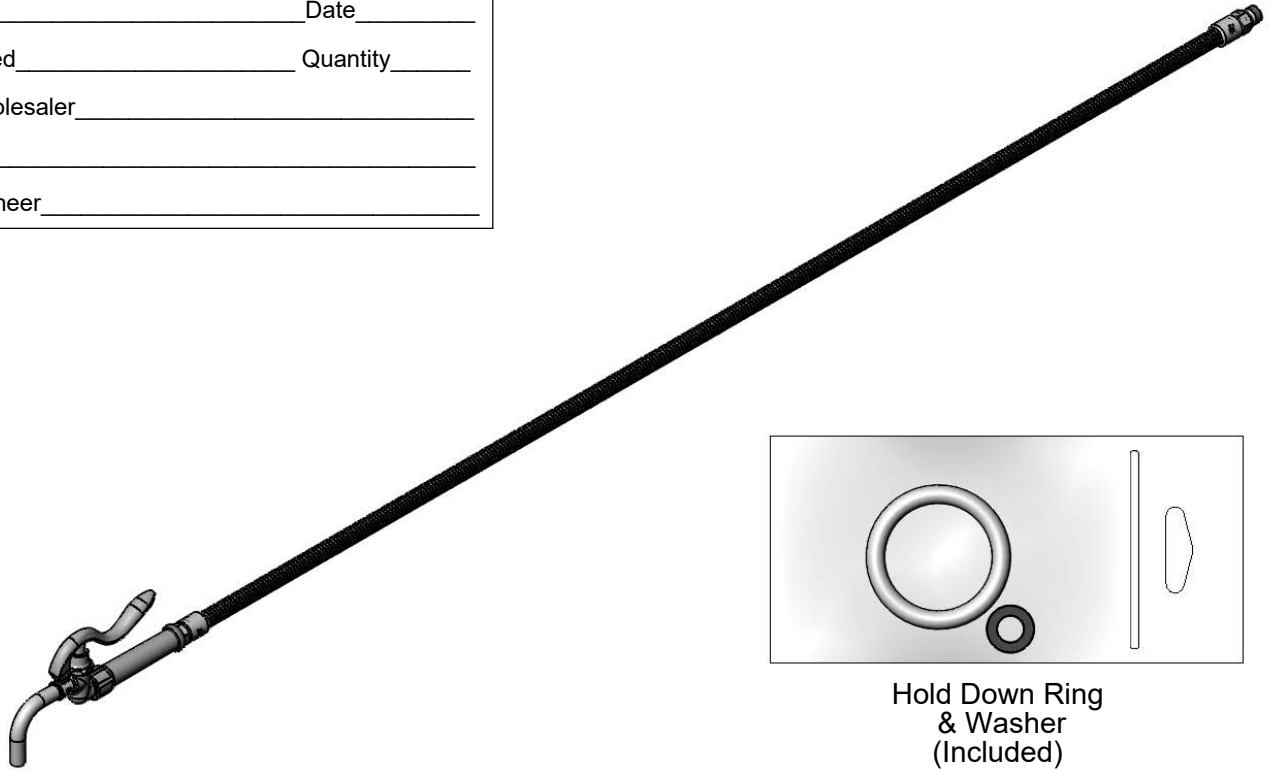
Model No.  
**B-0102**

Item No.

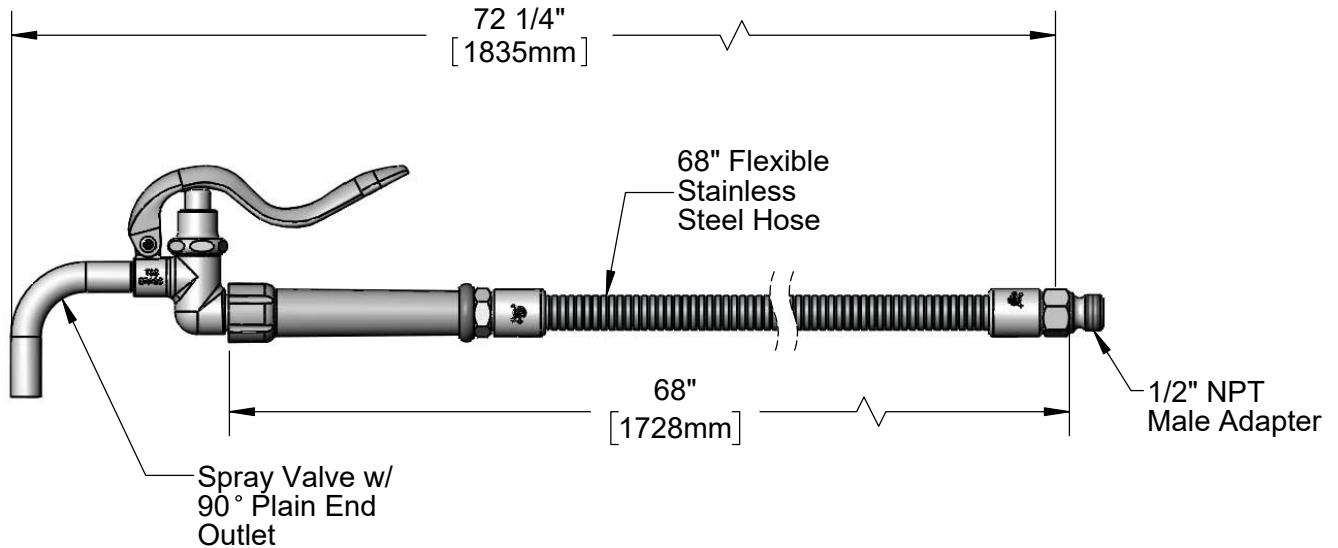
Travelers Rest, SC: 800-476-4103 • Simi Valley, CA: 800-423-0150 • Fax: 864-834-3518 • www.tsbrass.com

This Space for Architect/Engineer Approval

Job Name \_\_\_\_\_ Date \_\_\_\_\_  
 Model Specified \_\_\_\_\_ Quantity \_\_\_\_\_  
 Customer/Wholesaler \_\_\_\_\_  
 Contractor \_\_\_\_\_  
 Architect/Engineer \_\_\_\_\_



Hold Down Ring  
& Washer  
(Included)



Product Specifications:  
**Spray Valve w/ 90° Plain End Outlet & 68" Flexible Stainless Steel Hose w/ Adapter**

Product Compliance:  
 ASME A112.18.1 / CSA B125.1  
 NSF 61 - Section 9  
 NSF 372 (Low Lead Content)  
 2019 DOE PRSV Non-Compliant  
 Product Not Designed/Intended for Commercial Warewashing in North America



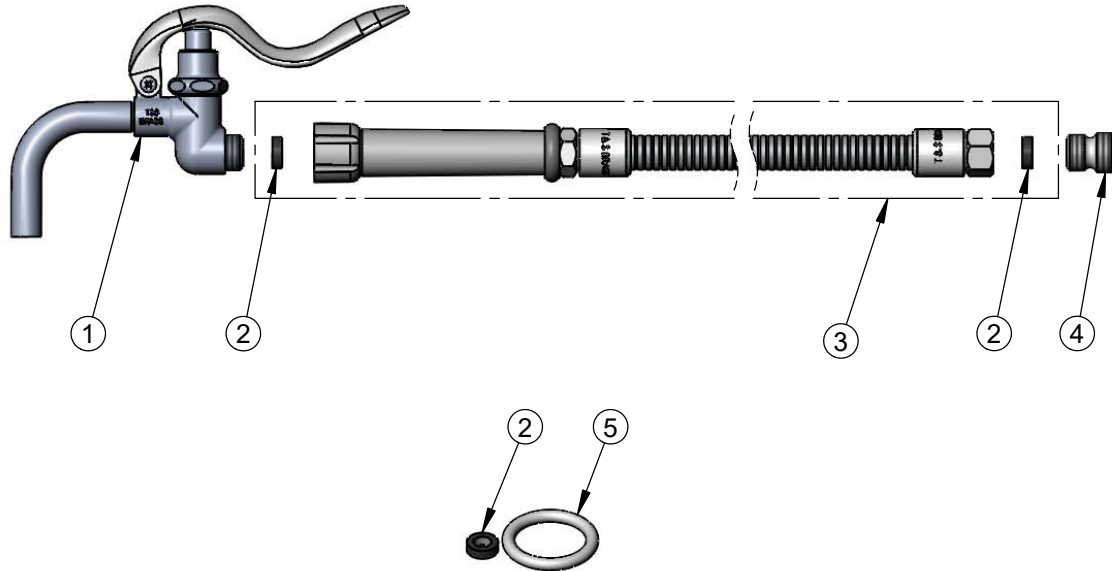
**T&S BRASS AND BRONZE WORKS, INC.**  
 2 Saddleback Cove / P.O. Box 1088  
 Travelers Rest, SC 29690

Model No.  
**B-0102**

Item No.

Travelers Rest, SC: 800-476-4103 • Simi Valley, CA: 800-423-0150 • Fax: 864-834-3518 • www.tsbrass.com

ITEM NO.	SALES NO.	DESCRIPTION
1	002866-40	Spray Valve w/ 90° Plain End Outlet
2	010476-45	#27 Washer
3	B-0068-H	68" Flexible Stainless Steel Hose
4	055A	Adapter, 1/2 NPT Male
5	000907-45	Spray Valve Hold Down Ring



Product Specifications:  
 Spray Valve w/ 90° Plain End Outlet & 68" Flexible  
 Stainless Steel Hose w/ Adapter

Product Compliance:  
 ASME A112.18.1 / CSA B125.1  
 NSF 61 - Section 9  
 NSF 372 (Low Lead Content)  
 2019 DOE PRSV Non-Compliant  
 Product Not Designed/Intended for  
 Commercial Warewashing in North America