



T&S BRASS AND BRONZE WORKS, INC.
 2 Saddleback Cove / P.O. Box 1088
 Travelers Rest, SC 29690

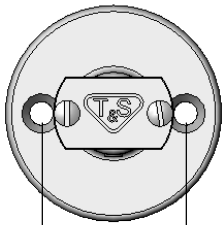
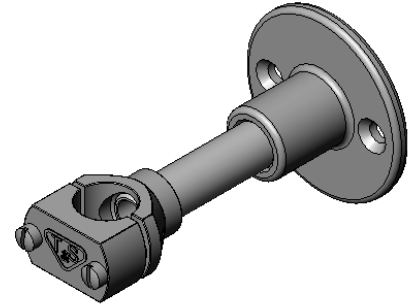
Model No.
B-0109-06

Item No.

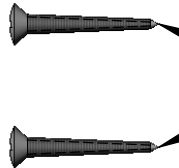
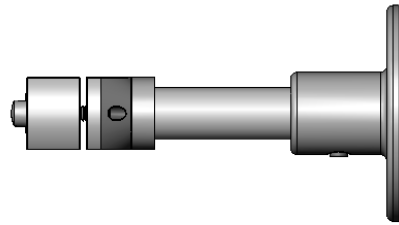
Travelers Rest, SC: 800-476-4103 • Simi Valley, CA: 800-423-0150 • Fax: 864-834-3518 • www.tsbrass.com

This Space for Architect/Engineer Approval

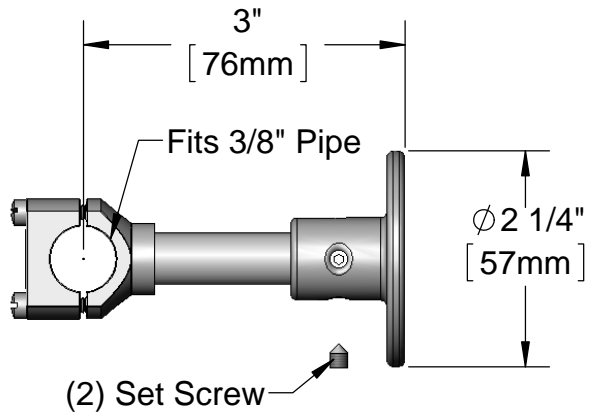
Job Name _____ Date _____
 Model Specified _____ Quantity _____
 Customer/Wholesaler _____
 Contractor _____
 Architect/Engineer _____



1 1/2"
 [38mm]



Chrome Plated Brass Wood Screws
 for Wall Mounting (Included)



Product Specifications:
 3" Wall Bracket Assembly for 3/8" Pipe
 w/ Mounting Hardware

Drawn JRM	Checked KJG	Approved JHB
Scale: 1:2		Date: 06/02/14