



T&S BRASS AND BRONZE WORKS, INC.

2 Saddleback Cove / P.O. Box 1088
Travelers Rest, SC 29690

Model No.

B-0141

Item No.

Travelers Rest, SC: 800-476-4103 • Simi Valley, CA: 800-423-0150 • Fax: 864-834-3518 • www.tsbrass.com

This Space for Architect/Engineer Approval

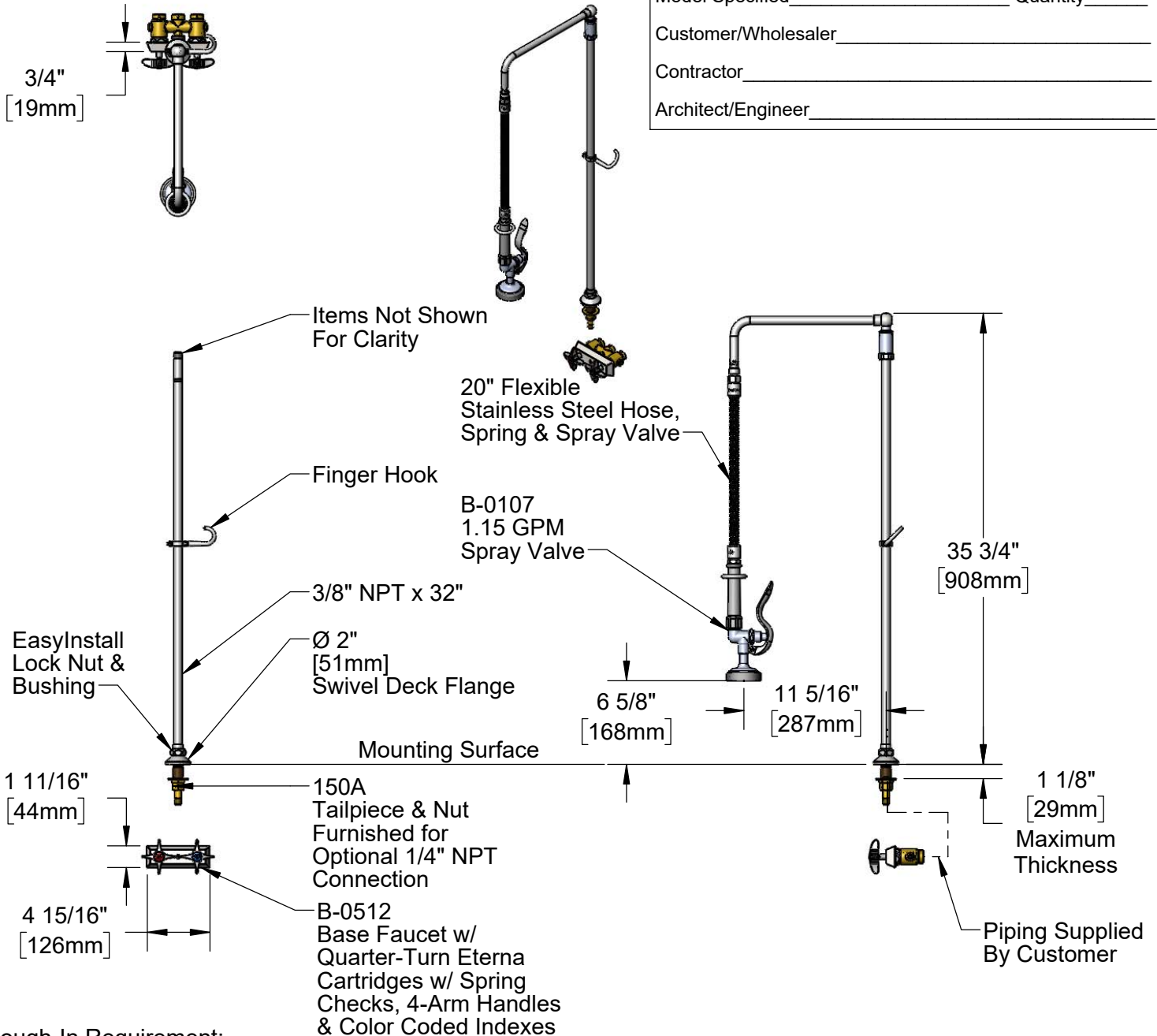
Job Name _____ Date _____

Model Specified _____ Quantity _____

Customer/Wholesaler _____

Contractor _____

Architect/Engineer _____



Rough-In Requirement:
 Ø 1" [25mm] Mounting Hole
 (2) Ø 1 9/16" [40mm] Faucet Mounting Holes
 Ø 1/4" [6mm] Center Mounting Screw

Product Specifications:
 Pre-Rinse Unit: Single Hole Deck Mount Dummy Pre-Rinse and Remote Control Valve, Quarter-Turn Eterna Cartridges w/ Spring Checks, 4-Arm Handles, 1.15 GPM Spray Valve, 32" Riser, 12" Overhead Swivel Arm & 3/8" NPT Female Inlets

Product Compliance:
 ASME A112.18.1 / CSA B125.1
 NSF 61 - Section 9
 NSF 372 (Low Lead Content)
 2019 DOE PRSV - Class II



T&S BRASS AND BRONZE WORKS, INC.

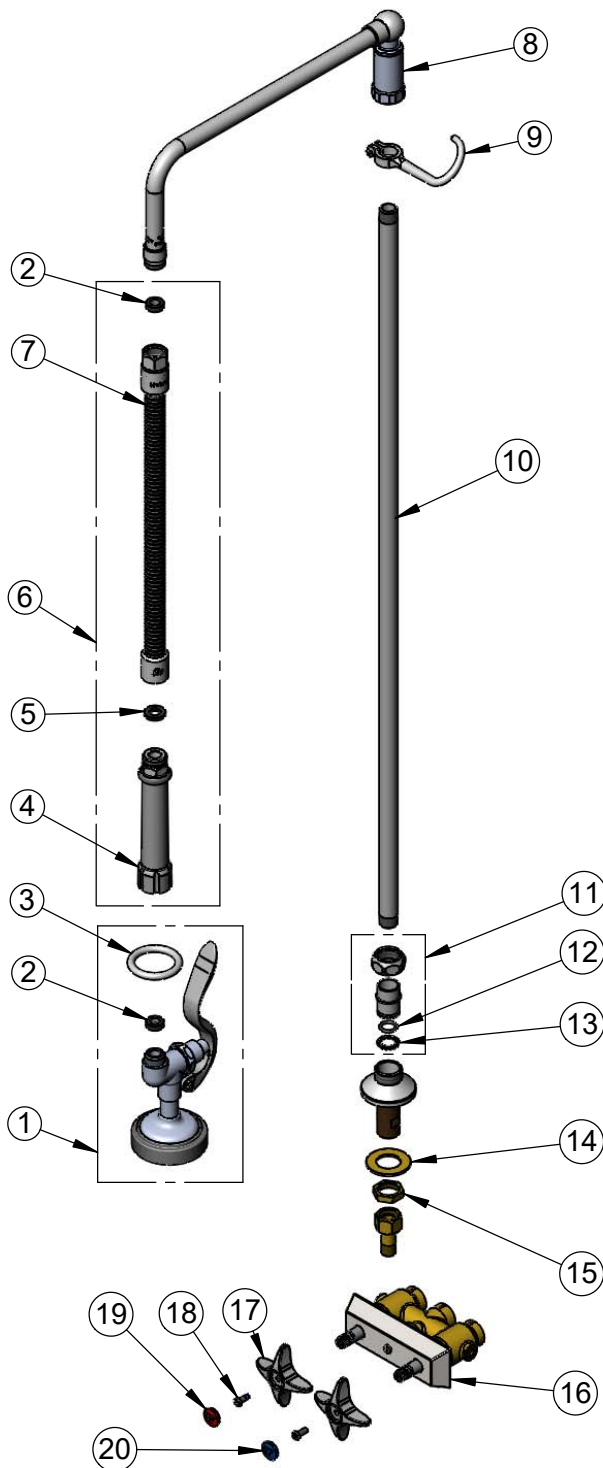
2 Saddleback Cove / P.O. Box 1088
Travelers Rest, SC 29690

Model No.

B-0141

Item No.

Travelers Rest, SC: 800-476-4103 • Simi Valley, CA: 800-423-0150 • Fax: 864-834-3518 • www.tsbrass.com



ITEM NO.	SALES NO.	DESCRIPTION
1	B-0107	1.15 GPM Spray Valve
2	010476-45	#27 Washer
3	000907-45	Spray Valve Hold Down Ring
4	002987-40	Grip Handle
5	001014-45	Washer, B-0100 Hose Barrel
6	B-0020-H	20" Flexible Stainless Steel Hose
7	B-0020-H2A	20" Flexible Stainless Steel Hose, Less Handle
8	002882-40	12" Swivel L-Tube
9	004R	Finger Hook
10	000376-40	3/8" NPT x 32" Riser
11	EZ-K	EasyInstall Kit
12	001065-45	O-Ring
13	014200-45	Star Washer, Anti-Rotation
14	000999-45	Brass Lock Washer
15	002954-45	Shank Lock Nut
16	B-0512	Concealed Mixing Valve
17	002521-45NS	4-Arm Handle (New Style)
18	000925-45	Lab Handle Screw
19	001193-19NS	Red Button Index, Press-in
20	018506-19NS	Blue Button Index, Press-in

Product Specifications:

Pre-Rinse Unit: Single Hole Deck Mount Dummy Pre-Rinse and Remote Control Valve, Quarter-Turn Eterna Cartridges w/ Spring Checks, 4-Arm Handles, 1.15 GPM Spray Valve, 32" Riser, 12" Overhead Swivel Arm & 3/8" NPT Female Inlets

Product Compliance:

ASME A112.18.1 / CSA B125.1
NSF 61 - Section 9
NSF 372 (Low Lead Content)
2019 DOE PRSV - Class II