



T&S BRASS AND BRONZE WORKS, INC.
 2 Saddleback Cove / P.O. Box 1088
 Travelers Rest, SC 29690

Model No.
B-0173-BR
 Item No.

Travelers Rest, SC: 800-476-4103 • Simi Valley, CA: 800-423-0150 • Fax: 864-834-3518 • www.tsbrass.com

This Space for Architect/Engineer Approval

Job Name _____ Date _____
 Model Specified _____ Quantity _____
 Customer/Wholesaler _____
 Contractor _____
 Architect/Engineer _____



44" PVC Hose w/
 Overhead Spring
 & Spray Valve

Items Not Shown
 for Clarity

Finger Hook

B-0107
 1.15 GPM
 Spray Valve

B-0109-01
 6" Wall
 Bracket

42 9/16"
 [1081mm]

3/8" NPT x 24" Riser

EasyInstall
 Lock Nut &
 Bushing

Quarter-Turn Eterna
 Cartridge w/ Spring
 Check & Lever Handle
 w/ Color Coded Index

12 3/8"
 [314mm]

14 1/8"
 [359mm]

Mounting
 Surface

1 5/8"
 [41mm]
 Maximum
 Thickness

Ø2"
 [51mm]
 Flange

Temperature Mixing Valve
 w/ Integral Check Valves

18" Flexible Stainless
 Steel Supply Hoses

Compression Fittings
 for 5/8" O.D. Copper Tubing
 (Remove Compression Nut
 for 1/2" NPSM Male)

Rough-In Requirement:
 Ø1" [25mm] Mounting Hole

Product Specifications:

Pre-Rinse Unit: Single Hole, Single Temperature Deck Mount Faucet, Quarter-Turn Eterna Cartridge w/ Spring Check, 24" Riser, Overhead Spring, 44" PVC Hose, 1.15 GPM Spray Valve, Temperature Control Mixing Valve w/ Integral Check Valves, 6" Wall Bracket & 18" Flexible Stainless Steel Supply Hoses w/ 1/2" NPSM Male Inlets

Product Compliance:

ASME A112.18.1 / CSA B125.1
 NSF 61 - Section 9
 NSF 372 (Low Lead Content)
 2019 DOE PRSV - Class II



T&S BRASS AND BRONZE WORKS, INC.

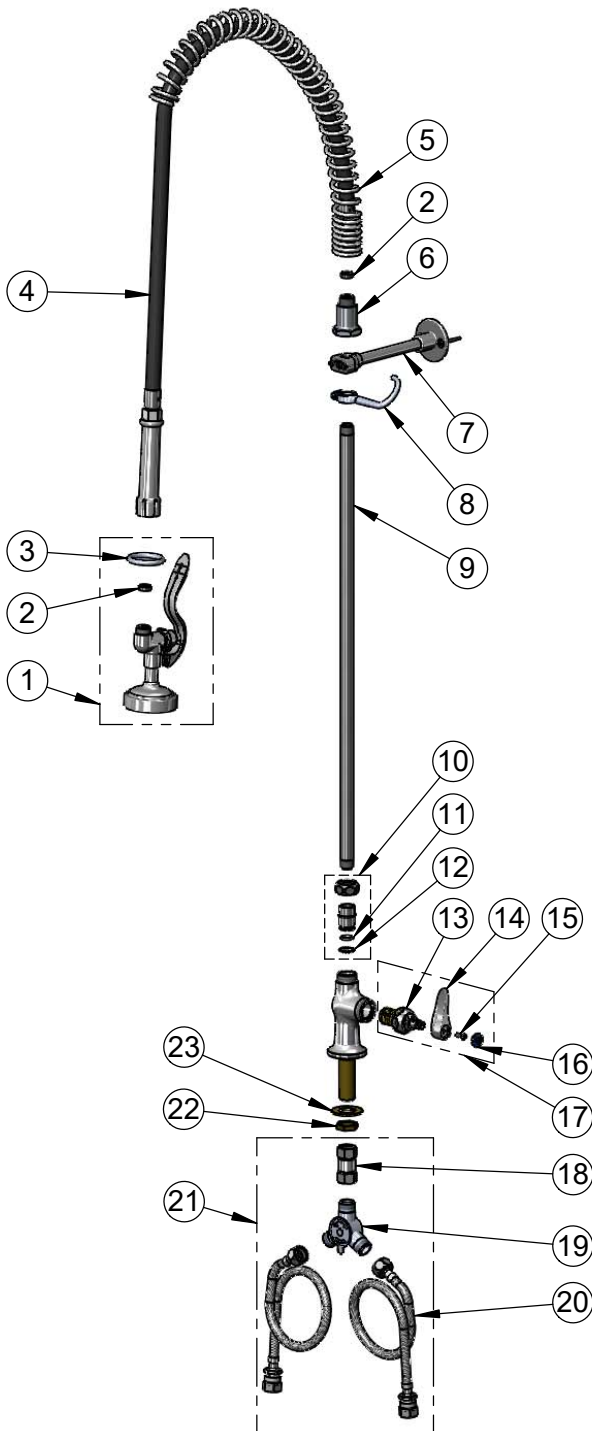
2 Saddleback Cove / P.O. Box 1088
Travelers Rest, SC 29690

Model No.

B-0173-BR

Item No.

Travelers Rest, SC: 800-476-4103 • Simi Valley, CA: 800-423-0150 • Fax: 864-834-3518 • www.tsbrass.com



ITEM NO.	SALES NO.	DESCRIPTION
1	B-0107	1.15 GPM Spray Valve
2	010476-45	#27 Washer
3	000907-45	Spray Valve Hold Down Ring
4	B-0044-R	44" PVC Hose w/ Grip Handle
5	000888-45	EasyInstall Overhead Spring
6	000821-40	Spring Body
7	B-0109-01	6" Wall Bracket
8	004R	Finger Hook
9	000372-40	3/8" NPT x 24" Riser
10	EZ-K	EasyInstall Kit
11	001065-45	O-Ring
12	014200-45	Star Washer, Anti-Rotation
13	012443-40NS	Quarter-Turn Eterna Cartridge w/ Spring Check, RTC
14	001638-45NS	Lever Handle (New Style)
15	000925-45	Lab Handle Screw
16	018506-19NS	Blue Button Index, Press-in
17	019639-40	Quarter-Turn Eterna Cartridge RTC w/ Spring Check, Handle, Blue Index & Screw
18	017506-45	1/2" NPSM Swivel Coupling
19	5EF-0006	Mechanical Mixing Valve
20	019192-45	Flexible Connector Hose (2)
21	019321-40	Temperature Control Mixing Valve w/ Flexible 1/2" NPSM Male Inlets
22	002954-45	Shank Lock Nut
23	000999-45	Brass Lock Washer

Product Specifications:

Pre-Rinse Unit: Single Hole, Single Temperature Deck Mount Faucet, Quarter-Turn Eterna Cartridge w/ Spring Check, 24" Riser, Overhead Spring, 44" PVC Hose, 1.15 GPM Spray Valve, Temperature Control Mixing Valve w/ Integral Check Valves, 6" Wall Bracket & 18" Flexible Stainless Steel Supply Hoses w/ 1/2" NPSM Male Inlets

Product Compliance:

ASME A112.18.1 / CSA B125.1
NSF 61 - Section 9
NSF 372 (Low Lead Content)
2019 DOE PRSV - Class II