



T&S BRASS AND BRONZE WORKS, INC.

2 Saddleback Cove / P.O. Box 1088
Travelers Rest, SC 29690

Model No.

B-0175

Item No.

Travelers Rest, SC: 800-476-4103 • Simi Valley, CA: 800-423-0150 • Fax: 864-834-3518 • www.tsbrass.com

This Space for Architect/Engineer Approval

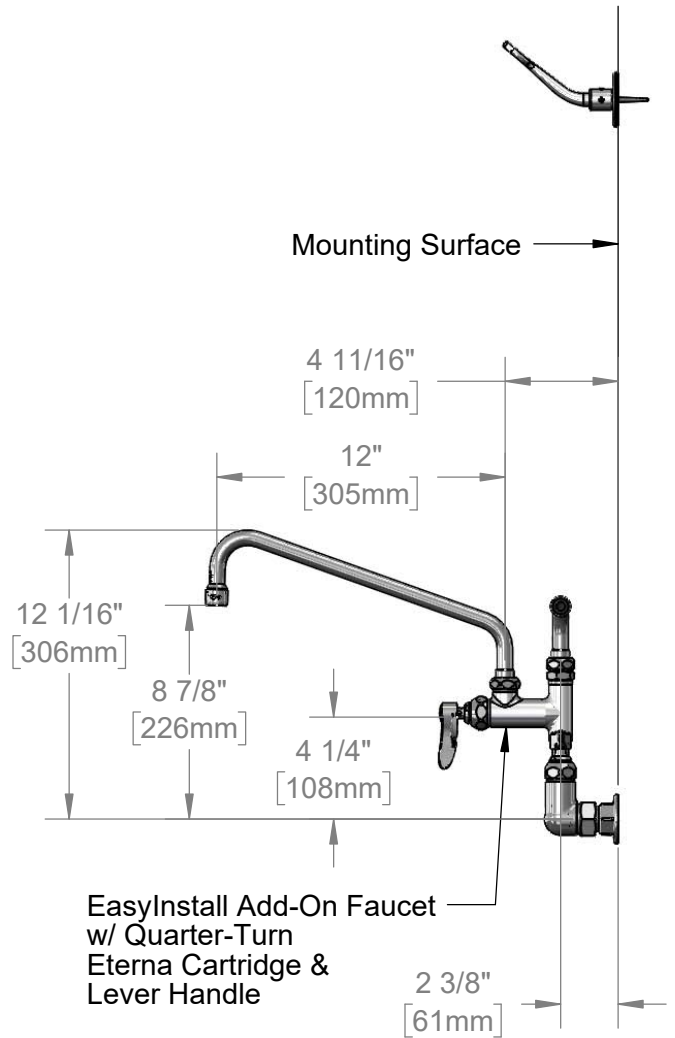
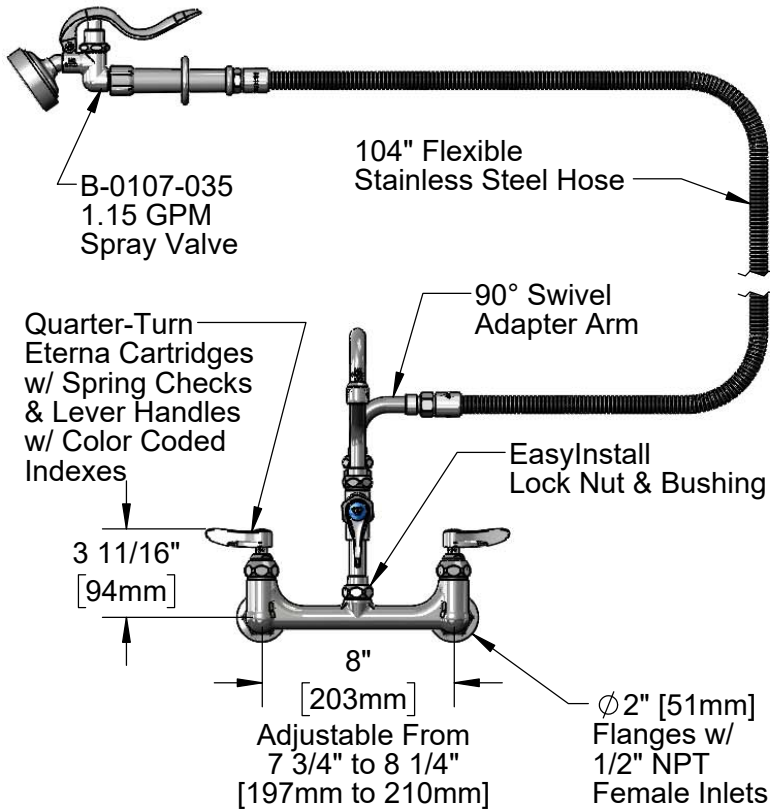
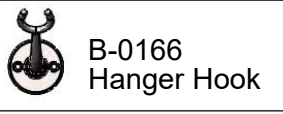
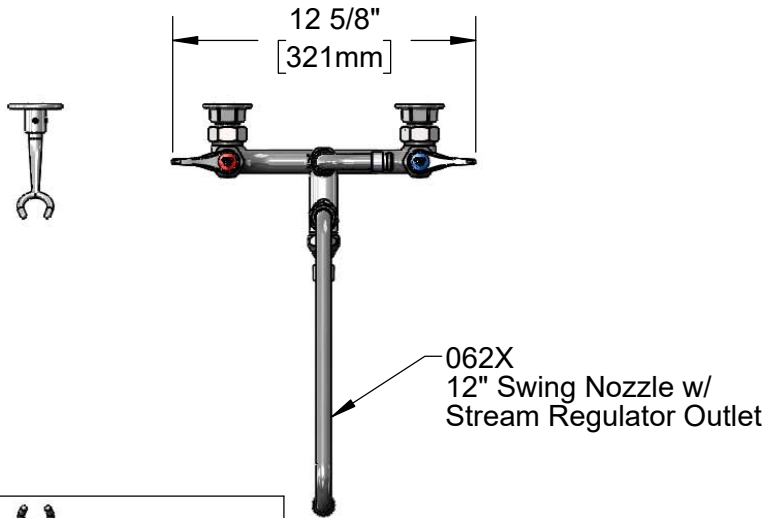
Job Name _____ Date _____

Model Specified _____ Quantity _____

Customer/Wholesaler _____

Contractor _____

Architect/Engineer _____



Product Specifications:

8" Wall Mount Mixing Faucet, Quarter-Turn Eterna Cartridges w/ Spring Checks, Lever Handles, 104" Flexible Stainless Steel Hose, 1.15 GPM Angled Spray Valve, Add-On Faucet w/ 12" Swing Nozzle, 90° Swivel Adapter Arm, Wall Hook & 1/2" NPT Female Inlets

Product Compliance:

ASME A112.18.1 / CSA B125.1
NSF 61 - Section 9
NSF 372 (Low Lead Content)
2019 DOE PRSV - Class II



T&S BRASS AND BRONZE WORKS, INC.

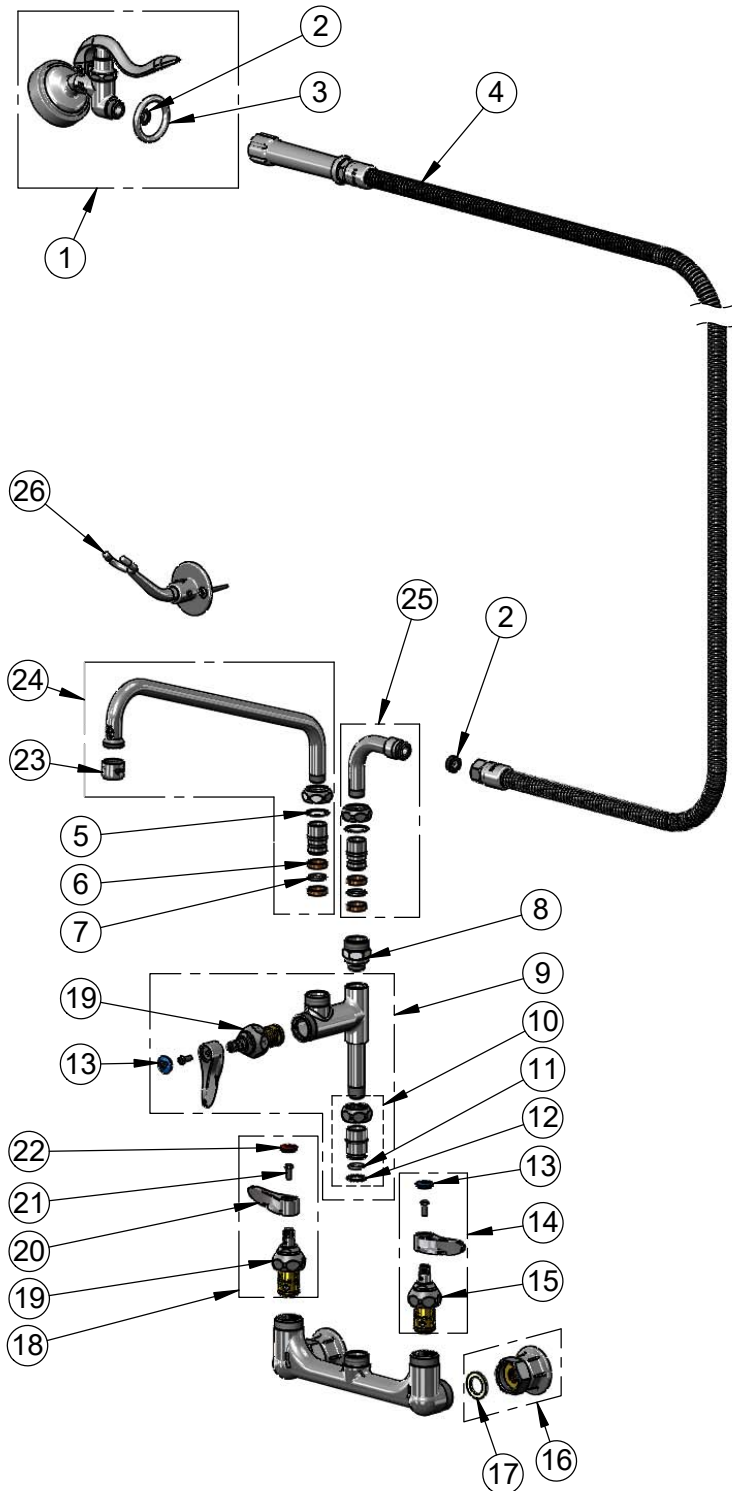
2 Saddleback Cove / P.O. Box 1088
Travelers Rest, SC 29690

Model No.

B-0175

Item No.

Travelers Rest, SC: 800-476-4103 • Simi Valley, CA: 800-423-0150 • Fax: 864-834-3518 • www.tsbrass.com



| ITEM NO. | SALES NO. | DESCRIPTION |
|----------|-------------|--|
| 1 | B-0107-035 | 1.15 GPM Angled Spray Valve |
| 2 | 010476-45 | #27 Washer |
| 3 | 000907-45 | Spray Valve Hold Down Ring |
| 4 | B-0104-H | 104" Flexible Stainless Steel Hose |
| 5 | 009538-45 | Swivel Washer |
| 6 | 011429-45 | Swivel Sleeves (2) |
| 7 | 001074-45 | O-Ring |
| 8 | B-0412 | Rigid to Swivel Adapter |
| 9 | B-0155-LNEZ | EasyInstall Add-On Faucet -Less Nozzle |
| 10 | EZ-K | EasyInstall Kit |
| 11 | 001065-45 | O-Ring |
| 12 | 014200-45 | Star Washer, Anti-Rotation |
| 13 | 018506-19NS | Blue Button Index, Press-in |
| 14 | 002711-40NS | Quarter-Turn Eterna Cartridge w/ Spring Check, Handle, Blue Index & Screw, LTC |
| 15 | 012442-40NS | Quarter-Turn Eterna Cartridge w/ Spring Check, LTC |
| 16 | 00AA | 1/2" NPT Female Eccentric Flange |
| 17 | 001019-45 | Coupling Nut Washer |
| 18 | 002712-40NS | Quarter-Turn Eterna Cartridge w/ Spring Check, Handle, Red Index & Screw, RTC |
| 19 | 012443-40NS | Quarter-Turn Eterna Cartridge w/ Spring Check, RTC |
| 20 | 001638-45NS | Lever Handle (New Style) |
| 21 | 000925-45 | Lab Handle Screw |
| 22 | 001193-19NS | Red Button Index, Press-in |
| 23 | B-PT | Full Flow Stream Regulator, 55/64-27 |
| 24 | 062X | 12" Swing Nozzle |
| 25 | 034A | 90° Swivel Adapter Arm |
| 26 | B-0166 | Wall Hook |

Product Specifications:

8" Wall Mount Mixing Faucet, Quarter-Turn Eterna Cartridges w/ Spring Checks, Lever Handles, 104" Flexible Stainless Steel Hose, 1.15 GPM Angled Spray Valve, Add-On Faucet w/ 12" Swing Nozzle, 90° Swivel Adapter Arm, Wall Hook & 1/2" NPT Female Inlets

Product Compliance:

ASME A112.18.1 / CSA B125.1
NSF 61 - Section 9
NSF 372 (Low Lead Content)
2019 DOE PRSV - Class II