



T&S BRASS AND BRONZE WORKS, INC.
 2 Saddleback Cove / P.O. Box 1088
 Travelers Rest, SC 29690

Model No.
B-0200-BRASS

Item No.

Travelers Rest, SC: 800-476-4103 • Simi Valley, CA: 800-423-0150 • Fax: 864-834-3518 • www.tsbrass.com



ADA Compliant

This Space for Architect/Engineer Approval

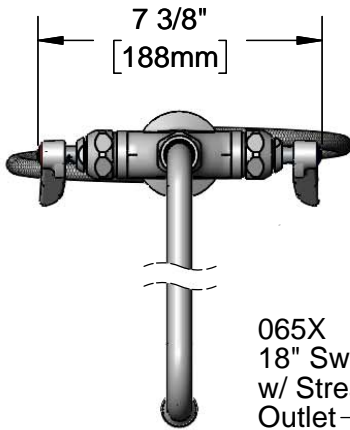
Job Name _____ Date _____

Model Specified _____ Quantity _____

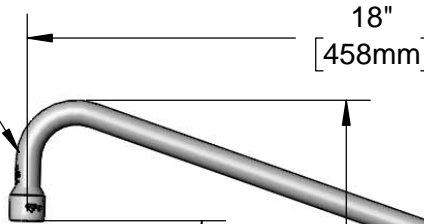
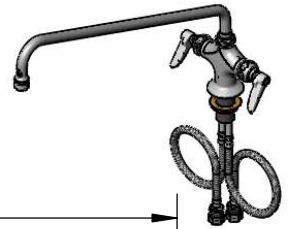
Customer/Wholesaler _____

Contractor _____

Architect/Engineer _____



065X
 18" Swing Nozzle
 w/ Stream Regulator
 Outlet



Quarter-Turn
 Eterna Cartridges
 w/ Spring Checks
 & Chrome Plated
 Brass Lever
 Handles w/ Color
 Coded Indexes

Swivel Joint

2 5/16"
 [58mm]

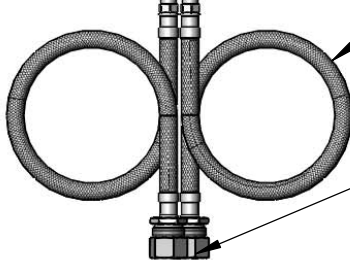
9 1/8"
 [231mm]

12 1/4"
 [311mm]

Mounting Surface

Ø 2 1/4" [57mm] Flange w/
 Ø 1 1/8" [29mm] Shank

1"
 [25mm]
 Maximum
 Thickness



18" Flexible
 Stainless Steel
 Supply Hoses

Compression Fittings
 for 5/8" O.D. Copper Tubing
 (Remove Compression Nut
 for 1/2" NPSM Male)

Rough-In Requirement:
 Ø 1 1/2" [38mm] Mounting Hole

Product Specifications:

Single Hole Deck Mount Mixing Faucet, Quarter-Turn Eterna Cartridges w/ Spring Checks, Chrome Plated Brass Lever Handles, 18" Swing Nozzle & 18" Flexible Stainless Steel Supply Hoses w/ 1/2" NPSM Male Inlets

Product Compliance:

ASME A112.18.1 / CSA B125.1
 NSF 61 - Section 9
 NSF 372 (Low Lead Content)
 ANSI A117.1 (ADA)

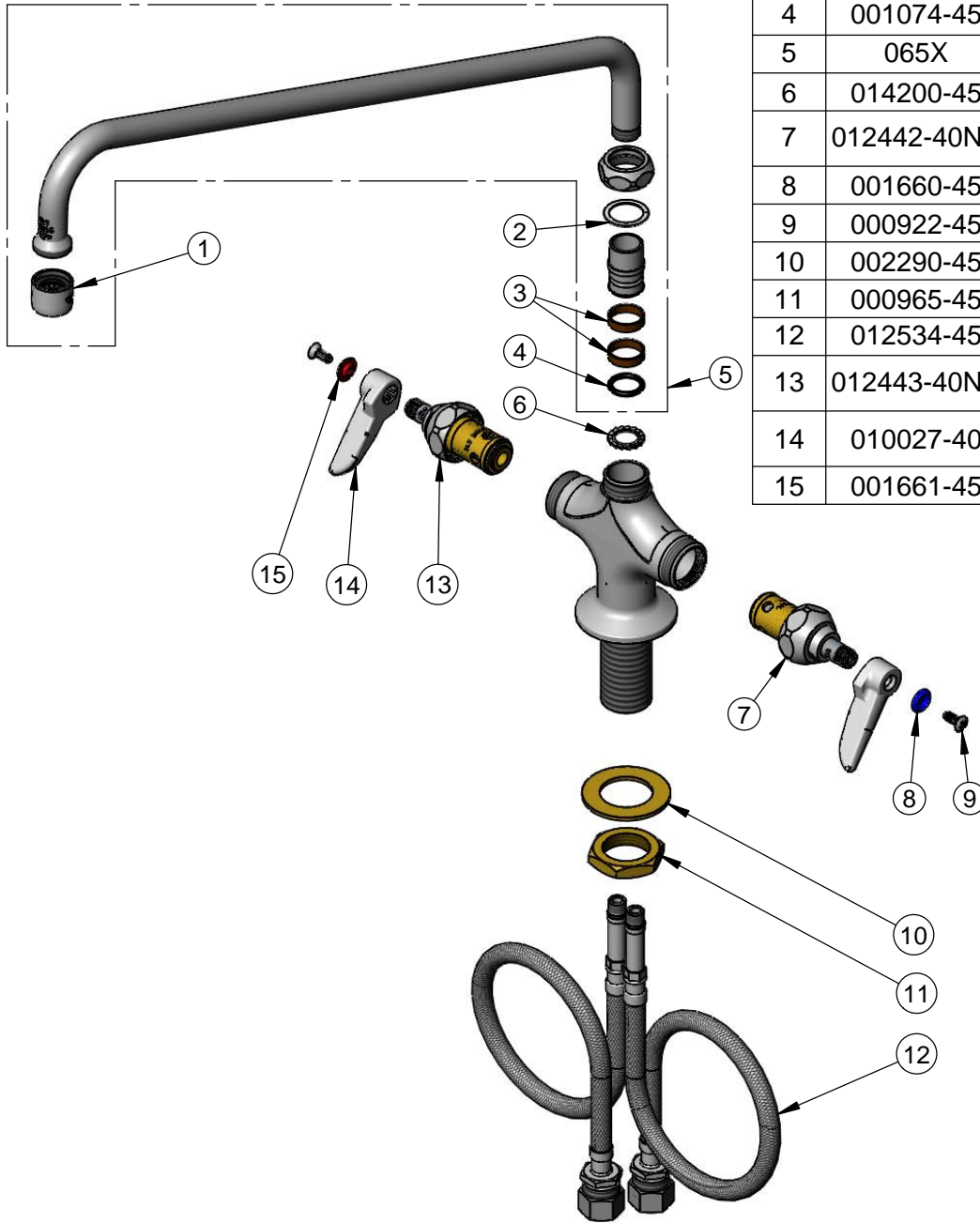


T&S BRASS AND BRONZE WORKS, INC.
 2 Saddleback Cove / P.O. Box 1088
 Travelers Rest, SC 29690

Model No.
B-0200-BRASS
 Item No.

Travelers Rest, SC: 800-476-4103 • Simi Valley, CA: 800-423-0150 • Fax: 864-834-3518 • www.tsbrass.com

ITEM NO.	SALES NO.	DESCRIPTION
1	B-PT	Full Flow Stream Regulator Outlet
2	009538-45	Swivel Washer
3	011429-45	Swivel Sleeves (2)
4	001074-45	O-Ring
5	065X	18" Swing Nozzle
6	014200-45	Star Washer, Anti-Rotation
7	012442-40NS	Quarter-Turn Eterna Cartridge w/ Spring Check, LTC
8	001660-45	Blue Index-CW
9	000922-45	Lever Handle Screw
10	002290-45	Lock Washer
11	000965-45	Lock Nut
12	012534-45	18" Flexible Supply Hose (2)
13	012443-40NS	Quarter-Turn Eterna Cartridge w/ Spring Check, RTC
14	010027-40	Solid Brass Chrome Plated Lever Handle
15	001661-45	Red Index-HW



Product Specifications:

Single Hole Deck Mount Mixing Faucet, Quarter-Turn Eterna Cartridges w/ Spring Checks, Chrome Plated Brass Lever Handles, 18" Swing Nozzle & 18" Flexible Stainless Steel Supply Hoses w/ 1/2" NPSM Male Inlets

Product Compliance:

ASME A112.18.1 / CSA B125.1
 NSF 61 - Section 9
 NSF 372 (Low Lead Content)
 ANSI A117.1 (ADA)