



# T&S BRASS AND BRONZE WORKS, INC.

2 Saddleback Cove / P.O. Box 1088  
Travelers Rest, SC 29690

Model No.

**B-0267-BST**

Item No.

Travelers Rest, SC: 800-476-4103 • Simi Valley, CA: 800-423-0150 • Fax: 864-834-3518 • www.tsbrass.com



**ADA Compliant**

This Space for Architect/Engineer Approval

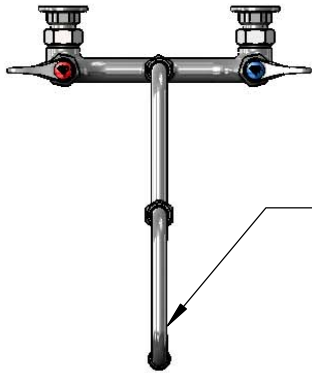
Job Name \_\_\_\_\_ Date \_\_\_\_\_

Model Specified \_\_\_\_\_ Quantity \_\_\_\_\_

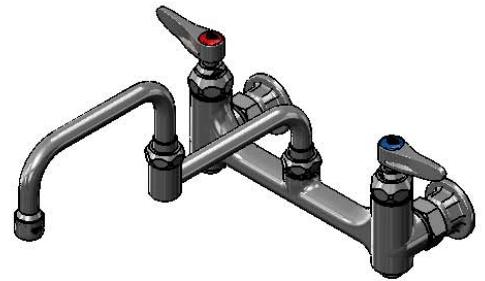
Customer/Wholesaler \_\_\_\_\_

Contractor \_\_\_\_\_

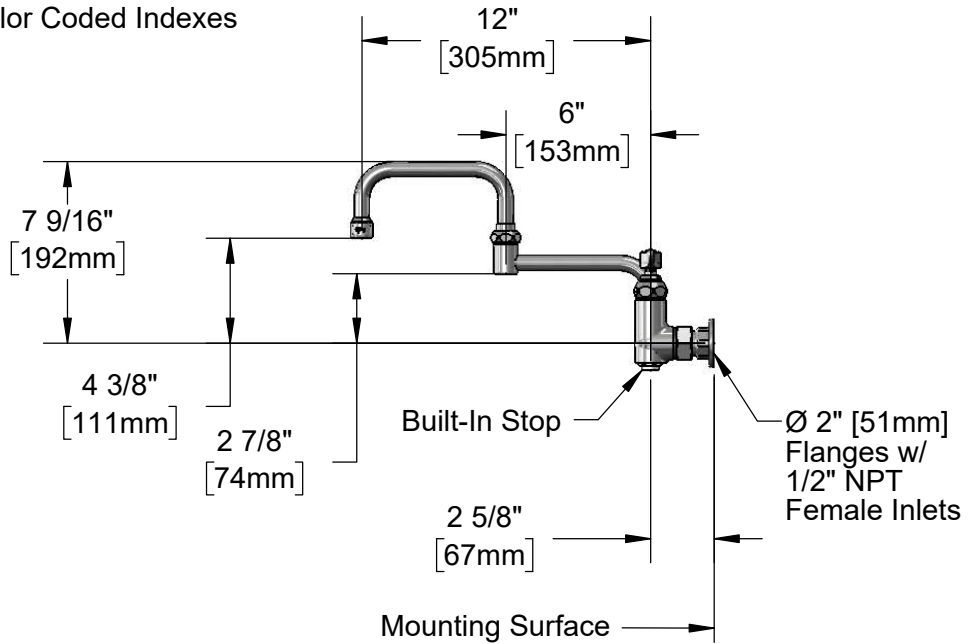
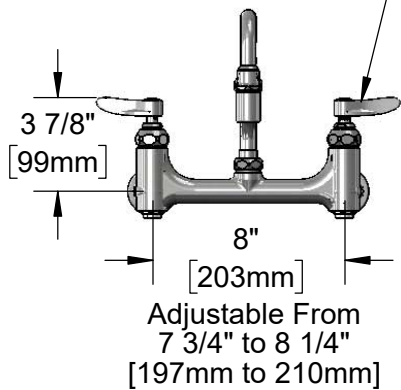
Architect/Engineer \_\_\_\_\_



066X  
12" Double Joint  
Swing Nozzle w/  
Stream Regulator Outlet.  
Rigid Conversion Requires  
014200-45 Lock Washer  
(Included)



Quarter-Turn  
Eterna Cartridges w/  
Spring Checks &  
Lever Handles w/  
Color Coded Indexes



**Product Specifications:**

8" Wall Mount Mixing Faucet, Quarter-Turn Eterna Cartridges w/ Spring Checks, Lever Handles, 12" Double Joint Swing Nozzle, Built-In Stops & 1/2" NPT Female Inlets

**Product Compliance:**

ASME A112.18.1 / CSA B125.1  
NSF 61 - Section 9  
NSF 372 (Low Lead Content)  
ANSI A117.1 (ADA)



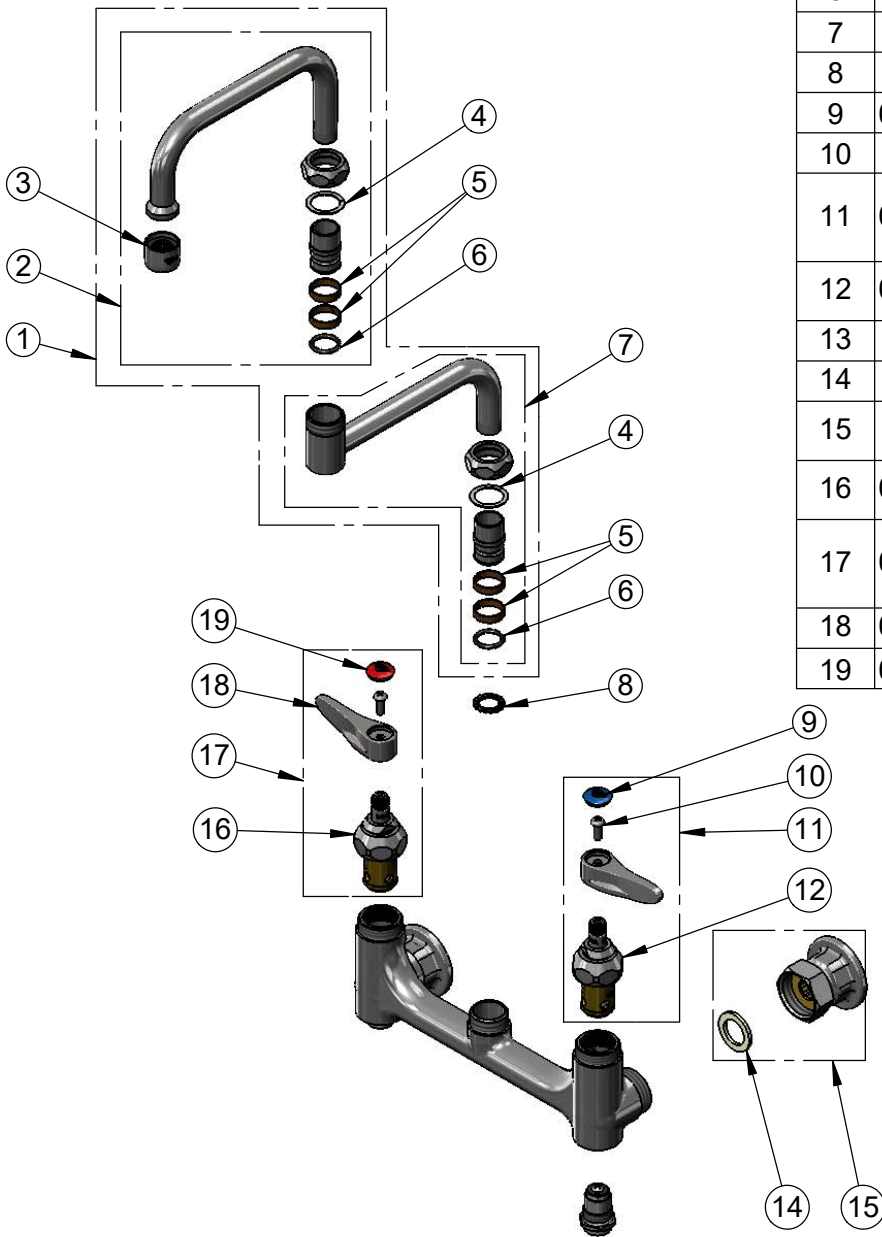
**T&S BRASS AND BRONZE WORKS, INC.**  
 2 Saddleback Cove / P.O. Box 1088  
 Travelers Rest, SC 29690

Model No.  
**B-0267-BST**

Item No.

Travelers Rest, SC: 800-476-4103 • Simi Valley, CA: 800-423-0150 • Fax: 864-834-3518 • www.tsbrass.com

| ITEM NO. | SALES NO.   | DESCRIPTION  |
|----------|-------------|--|
| 1        | 066X        | 12" Double Joint Swing Nozzle  |
| 2        | 153X        | 6" Front Section   |
| 3        | B-PT        | Full Flow Stream Regulator, 55/64-27   |
| 4        | 009538-45   | Swivel Washer  |
| 5        | 011429-45   | Swivel Sleeves (2)   |
| 6        | 001074-45   | O-Ring   |
| 7        | 151X        | 6" Back Section  |
| 8        | 014200-45   | Star Washer, Anti-Rotation   |
| 9        | 018506-19NS | Blue Button Index, Press-in  |
| 10       | 000925-45   | Lab Handle Screw   |
| 11       | 002711-40NS | Quarter-Turn Eterna Cartridge w/ Spring Check, Handle, Blue Index & Screw, LTC |
| 12       | 012442-40NS | Quarter-Turn Eterna Cartridge w/ Spring Check, LTC                             |
| 13       | 163A        | Built-in Service Stop  |
| 14       | 001019-45   | Coupling Nut Washer  |
| 15       | 00AA        | 1/2" NPT Female Eccentric Flange   |
| 16       | 012443-40NS | Quarter-Turn Eterna Cartridge w/ Spring Check, RTC                             |
| 17       | 002712-40NS | Quarter-Turn Eterna Cartridge w/ Spring Check, Handle, Red Index & Screw, RTC  |
| 18       | 001638-45NS | Lever Handle (New Style)   |
| 19       | 001193-19NS | Red Button Index, Press-in   |



**Product Specifications:**  
 8" Wall Mount Mixing Faucet, Quarter-Turn Eterna Cartridges w/ Spring Checks, Lever Handles, 12" Double Joint Swing Nozzle, Built-In Stops & 1/2" NPT Female Inlets

**Product Compliance:**  
 ASME A112.18.1 / CSA B125.1  
 NSF 61 - Section 9  
 NSF 372 (Low Lead Content)  
 ANSI A117.1 (ADA)