



T&S BRASS AND BRONZE WORKS, INC.
 2 Saddleback Cove / P.O. Box 1088
 Travelers Rest, SC 29690

Model No.
B-0293

Item No.

Travelers Rest, SC: 800-476-4103 • Simi Valley, CA: 800-423-0150 • Fax: 864-834-3518 • www.tsbrass.com



ADA Compliant

This Space for Architect/Engineer Approval

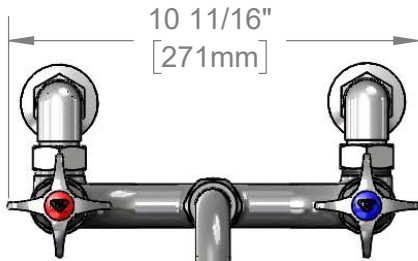
Job Name _____ Date _____

Model Specified _____ Quantity _____

Customer/Wholesaler _____

Contractor _____

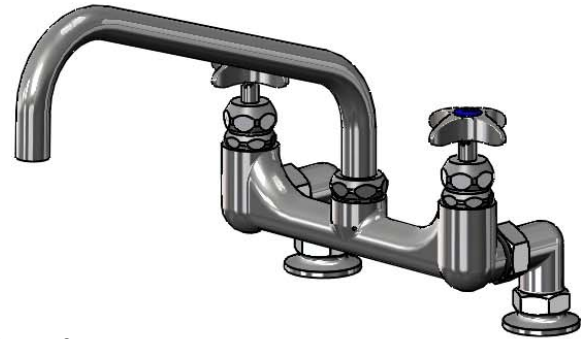
Architect/Engineer _____



10 11/16"
[271mm]

114X
12" Big-Flo Swing Nozzle
w/ Plain End Outlet.
Converts to Rigid w/
016807-45
Lock Washer (Included)

Big-Flo Cartridges &
4-Arm Handles w/
Color Coded Indexes



Swivel Joint

6 3/8"
[162mm]

8 1/16"
[205mm]

4 7/16"
[112mm]

2 1/4"
[57mm]

Mounting Surface

8"
[203mm]

Ø 2" [51mm]
Flanges w/
3/4" NPT
Female Inlets

2 11/16"
[68mm]

Product Specifications:

8" Deck Mount Big-Flo Mixing Faucet, Big-Flo Cartridges, 4-Arm Handles, 12" Big-Flo Swing Nozzle, & 3/4" NPT Female Inlets

Product Compliance:

ASME A112.18.1 / CSA B125.1
 NSF 61 - Section 9
 NSF 372 (Low Lead Content)
 ANSI A117.1 (ADA)



T&S BRASS AND BRONZE WORKS, INC.

2 Saddleback Cove / P.O. Box 1088
Travelers Rest, SC 29690

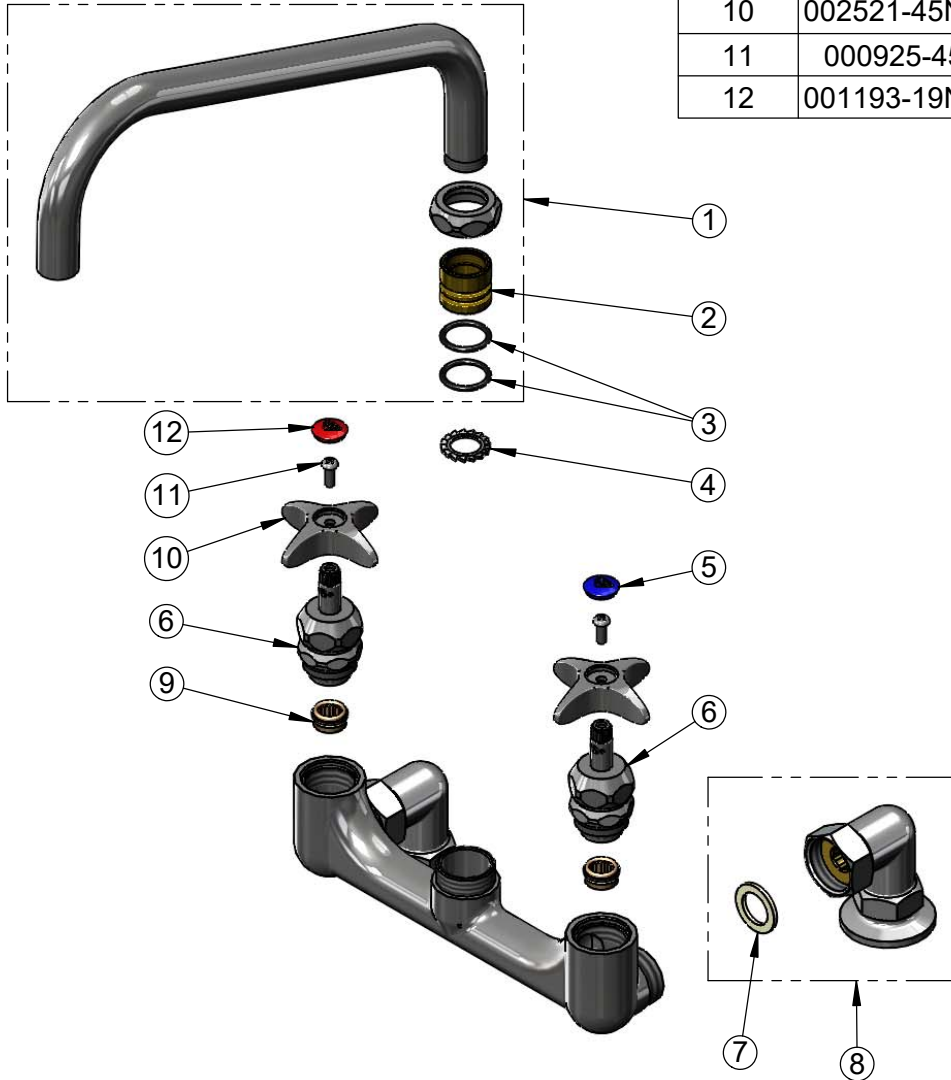
Model No.

B-0293

Item No.

Travelers Rest, SC: 800-476-4103 • Simi Valley, CA: 800-423-0150 • Fax: 864-834-3518 • www.tsbrass.com

ITEM NO.	SALES NO.	DESCRIPTION
1	114X	12" Big-Flo Swing Nozzle
2	000847-20	Big-Flo Swivel Piece
3	001068-45	O-ring
4	016807-45	Serrated Lock Washer
5	018506-19NS	Blue Button Index, Press-in
6	006482-40NS	Big-Flo Cartridge, RTC
7	001019-45	Coupling Nut Washer
8	00YY	3/4" NPT Female Elbow Flange
9	000764-20	Seat, Big-Flo
10	002521-45NS	4-Arm Handle (New Style)
11	000925-45	Lab Handle Screw
12	001193-19NS	Red Button Index, Press-in



Product Specifications:

8" Deck Mount Big-Flo Mixing Faucet, Big-Flo Cartridges, 4-Arm Handles, 12" Big-Flo Swing Nozzle, & 3/4" NPT Female Inlets

Product Compliance:

ASME A112.18.1 / CSA B125.1
NSF 61 - Section 9
NSF 372 (Low Lead Content)
ANSI A117.1 (ADA)