



T&S BRASS AND BRONZE WORKS, INC.

2 Saddleback Cove / P.O. Box 1088
Travelers Rest, SC 29690

Model No.

B-0295

Item No.

Travelers Rest, SC: 800-476-4103 • Simi Valley, CA: 800-423-0150 • Fax: 864-834-3518 • www.tsbrass.com

This Space for Architect/Engineer Approval

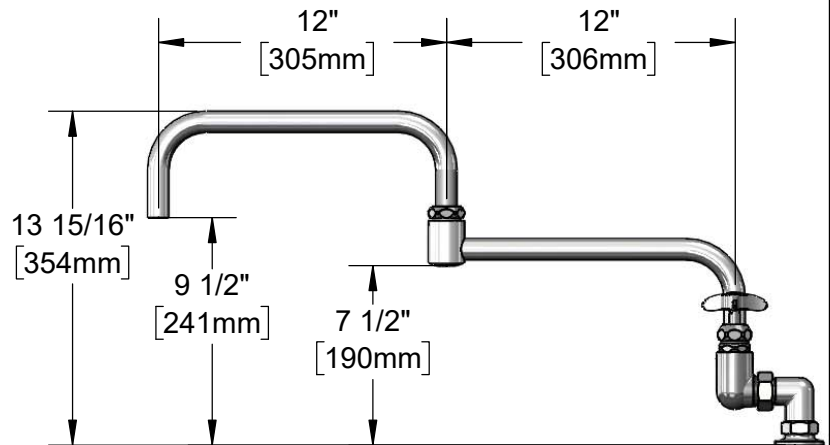
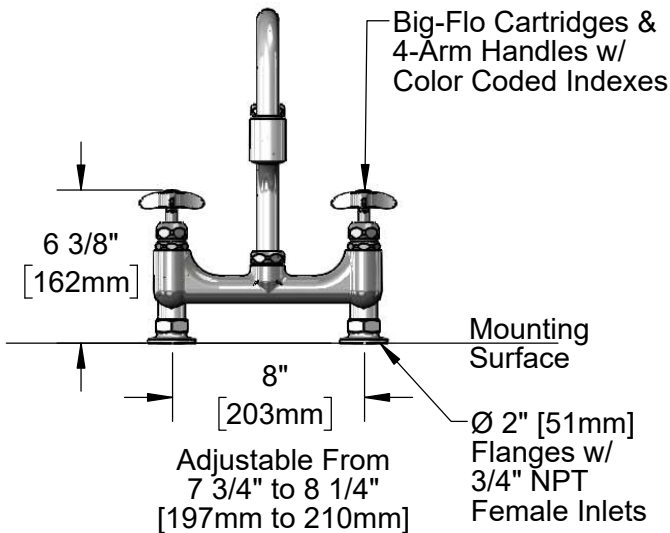
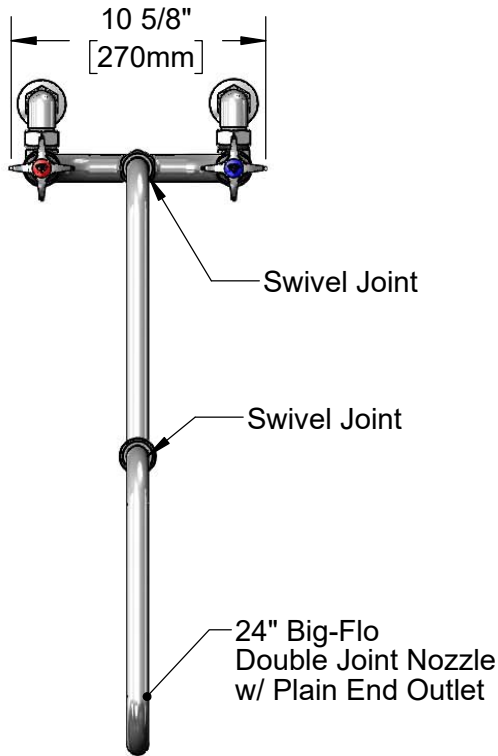
Job Name _____ Date _____

Model Specified _____ Quantity _____

Customer/Wholesaler _____

Contractor _____

Architect/Engineer _____



Product Specifications:

8" Deck Mount Big-Flo Mixing Faucet, Big-Flo Cartridges, 4-Arm Handles, 24" Double Joint Big-Flo Swing Nozzle & 3/4" NPT Female Inlets

Product Compliance:

ASME A112.18.1 / CSA B125.1
NSF 61 - Section 9
NSF 372 (Low Lead Content)
ANSI A117.1 (ADA)



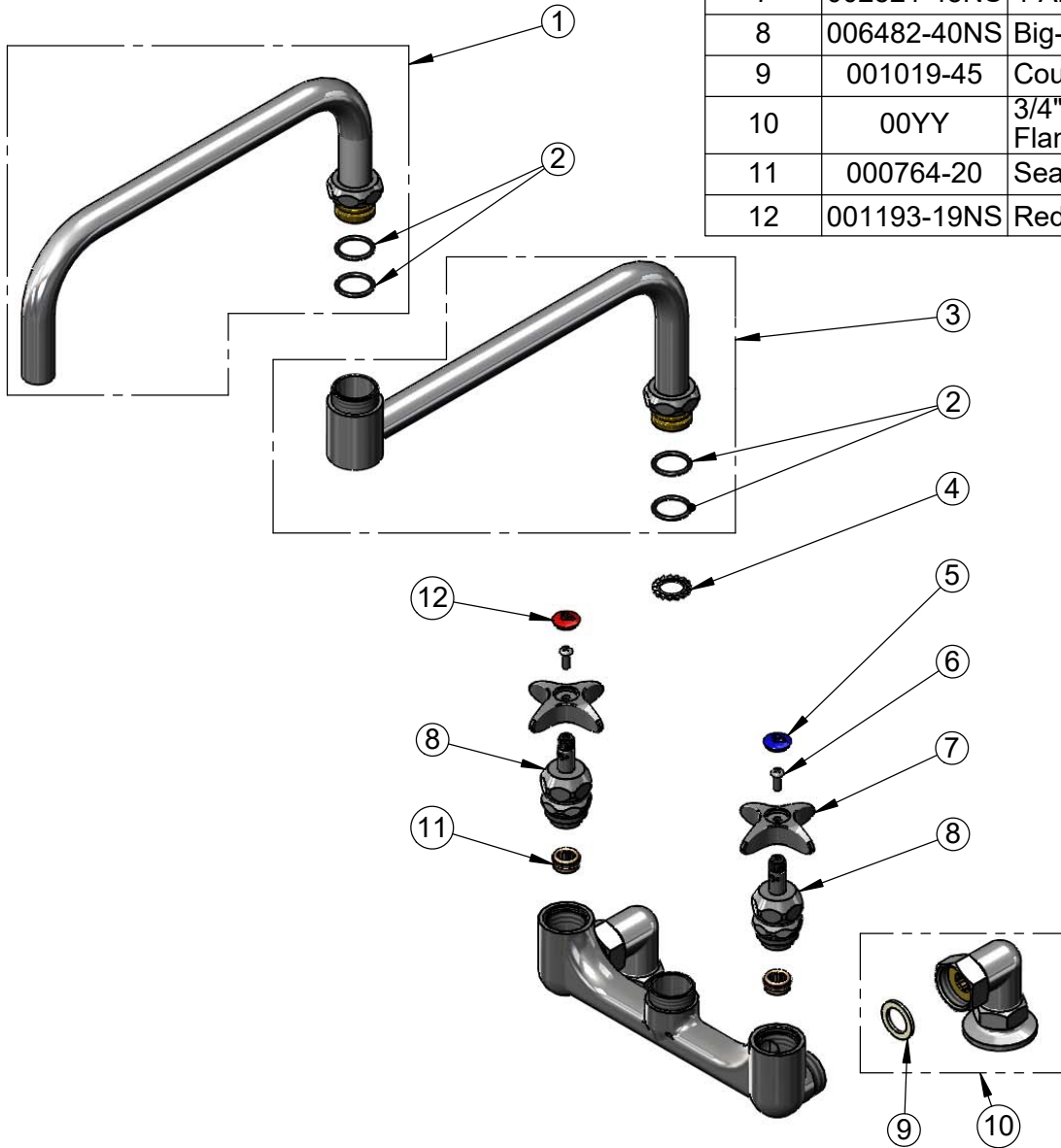
T&S BRASS AND BRONZE WORKS, INC.
 2 Saddleback Cove / P.O. Box 1088
 Travelers Rest, SC 29690

Model No.
B-0295

Item No.

Travelers Rest, SC: 800-476-4103 • Simi Valley, CA: 800-423-0150 • Fax: 864-834-3518 • www.tsbrass.com

ITEM NO.	SALES NO.	DESCRIPTION
1	117X	12" Big-Flo Front Section
2	001068-45	O-ring
3	118X	12" Big-Flo Back Section
4	016807-45	Serrated Lock Washer
5	018506-19NS	Blue Button Index, Press-in
6	000925-45	Lab Handle Screw
7	002521-45NS	4-Arm Handle (New Style)
8	006482-40NS	Big-Flo Cartridge, RTC
9	001019-45	Coupling Nut Washer
10	00YY	3/4" NPT Female Elbow Flange
11	000764-20	Seat, Big-Flo
12	001193-19NS	Red Button Index, Press-in



Product Specifications:
 8" Deck Mount Big-Flo Mixing Faucet, Big-Flo Cartridges, 4-Arm
 Handles, 24" Double Joint Big-Flo Swing Nozzle & 3/4" NPT
 Female Inlets

Product Compliance:
 ASME A112.18.1 / CSA B125.1
 NSF 61 - Section 9
 NSF 372 (Low Lead Content)
 ANSI A117.1 (ADA)