



T&S BRASS AND BRONZE WORKS, INC.
 2 Saddleback Cove / P.O. Box 1088
 Travelers Rest, SC 29690

Model No.
B-0296

Item No.

Travelers Rest, SC: 800-476-4103 • Simi Valley, CA: 800-423-0150 • Fax: 864-834-3518 • www.tsbrass.com



ADA Compliant

This Space for Architect/Engineer Approval

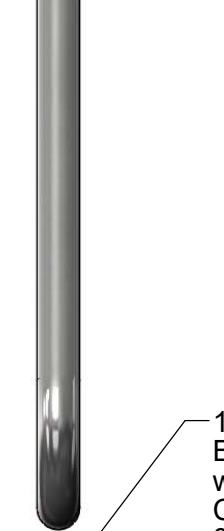
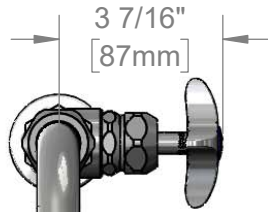
Job Name _____ Date _____

Model Specified _____ Quantity _____

Customer/Wholesaler _____

Contractor _____

Architect/Engineer _____



114X
 Big-Flo 12" Swing Nozzle
 w/ Plain End Outlet.
 Converts to Rigid w/
 016807-45
 Lock Washer (Included)



Swivel
 Joint

Big-Flo Cartridges &
 4-Arm Handle w/
 Blue Color Coded
 Index

1 7/16"
 [37mm]

2 7/16"
 [61mm]

12"
 [305mm]

8 5/16"
 [212mm]

Mounting Surface

5/8"
 [16mm]
 Maximum
 Thickness

Ø 2" [51mm]
 Flange w/
 1/2" NPT
 Male Inlet

Rough-In Requirement:
 Ø 1" [25mm] Mounting Hole

Product Specifications:
 Single Hole Single Temperature Big-Flo Faucet, 4-Arm Handle, Big-Flo 12"
 Swing Nozzle & 1/2" NPT Supply Nipple Kit

Product Compliance:
 ASME A112.18.1 / CSA B125.1
 NSF 61 - Section 9
 NSF 372 (Low Lead Content)
 ANSI A117.1 (ADA)



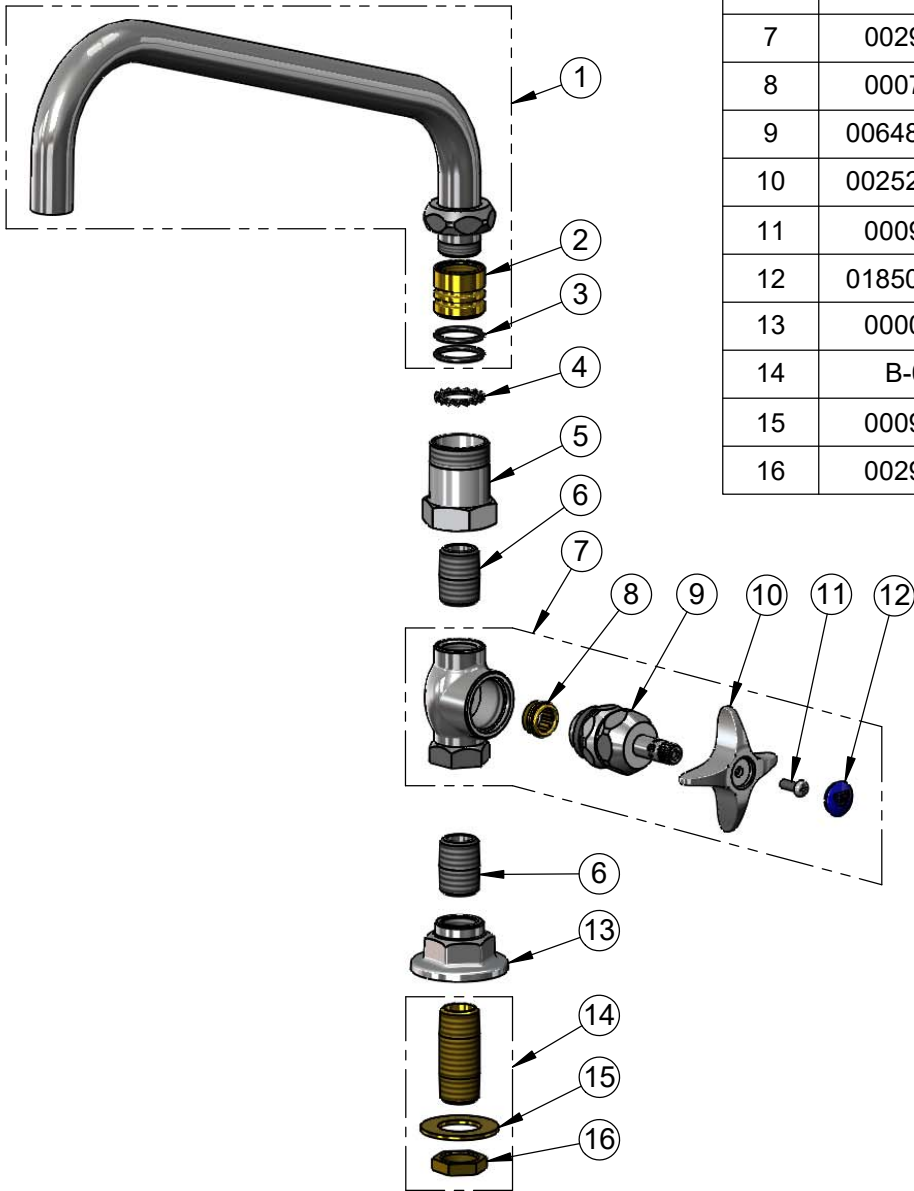
T&S BRASS AND BRONZE WORKS, INC.
 2 Saddleback Cove / P.O. Box 1088
 Travelers Rest, SC 29690

Model No.
B-0296

Item No.

Travelers Rest, SC: 800-476-4103 • Simi Valley, CA: 800-423-0150 • Fax: 864-834-3518 • www.tsbrass.com

ITEM NO.	SALES NO.	DESCRIPTION
1	114X	12" Big-Flo Swing Nozzle
2	000847-20	Big-Flo Swivel Piece
3	001068-45	O-ring
4	016807-45	Serrated Lock Washer
5	000594-25	Swivel Body x 1/2-14 NPT
6	002534-25	Close Nipple, 1/2" NPT
7	002900-40	Valve Assembly w/ 4-Arm Handle
8	000764-20	Seat, Big-Flo
9	006482-40NS	Big-Flo Cartridge, RTC
10	002521-45NS	4-Arm Handle (New Style)
11	000925-45	Lab Handle Screw
12	018506-19NS	Blue Button Index, Press-in
13	000013-40	Flange, 1/2" NPT Wall Mount
14	B-0425	1/2" NPT Supply Nipple Kit
15	000999-45	Brass Lock Washer
16	002954-45	Shank Lock Nut



Product Specifications:
 Single Hole Single Temperature Big-Flo Faucet, 4-Arm Handle, Big-Flo 12" Swing Nozzle & 1/2" NPT Supply Nipple Kit

Product Compliance:
 ASME A112.18.1 / CSA B125.1
 NSF 61 - Section 9
 NSF 372 (Low Lead Content)
 ANSI A117.1 (ADA)