



**T&S BRASS AND BRONZE WORKS, INC.**  
 2 Saddleback Cove / P.O. Box 1088  
 Travelers Rest, SC 29690

Model No.  
**B-0298**

Item No.

Travelers Rest, SC: 800-476-4103 • Simi Valley, CA: 800-423-0150 • Fax: 864-834-3518 • www.tsbrass.com



**ADA Compliant**

This Space for Architect/Engineer Approval

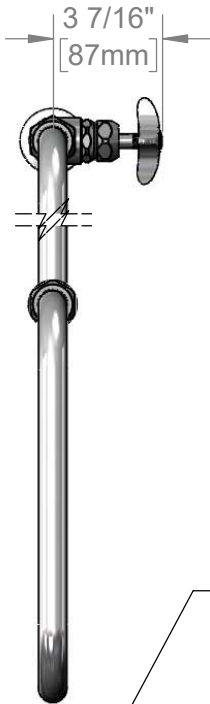
Job Name \_\_\_\_\_ Date \_\_\_\_\_

Model Specified \_\_\_\_\_ Quantity \_\_\_\_\_

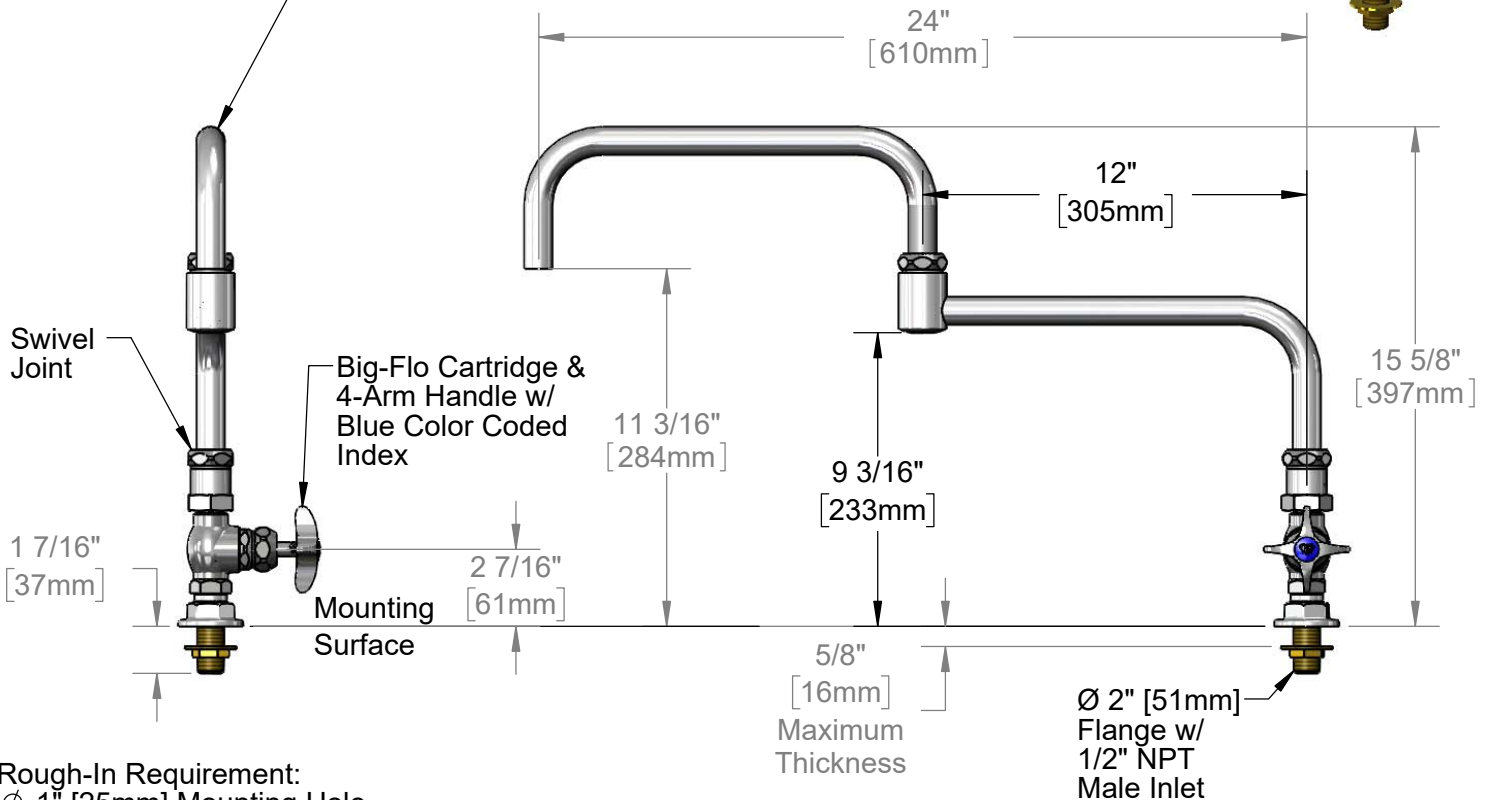
Customer/Wholesaler \_\_\_\_\_

Contractor \_\_\_\_\_

Architect/Engineer \_\_\_\_\_



116X  
 Big-Flo 24" Double Joint  
 Swing Nozzle w/  
 Plain End Outlet



Rough-In Requirement:  
 Ø 1" [25mm] Mounting Hole

Product Specifications:  
 Single Hole Single Temperature Big-Flo Faucet, 4-Arm Handle, Big-Flo 24" Double Joint Swing Nozzle & 1/2" NPT Supply Nipple Kit

Product Compliance:  
 ASME A112.18.1 / CSA B125.1  
 NSF 61 - Section 9  
 NSF 372 (Low Lead Content)  
 ANSI A117.1 (ADA)



# T&S BRASS AND BRONZE WORKS, INC.

2 Saddleback Cove / P.O. Box 1088  
Travelers Rest, SC 29690

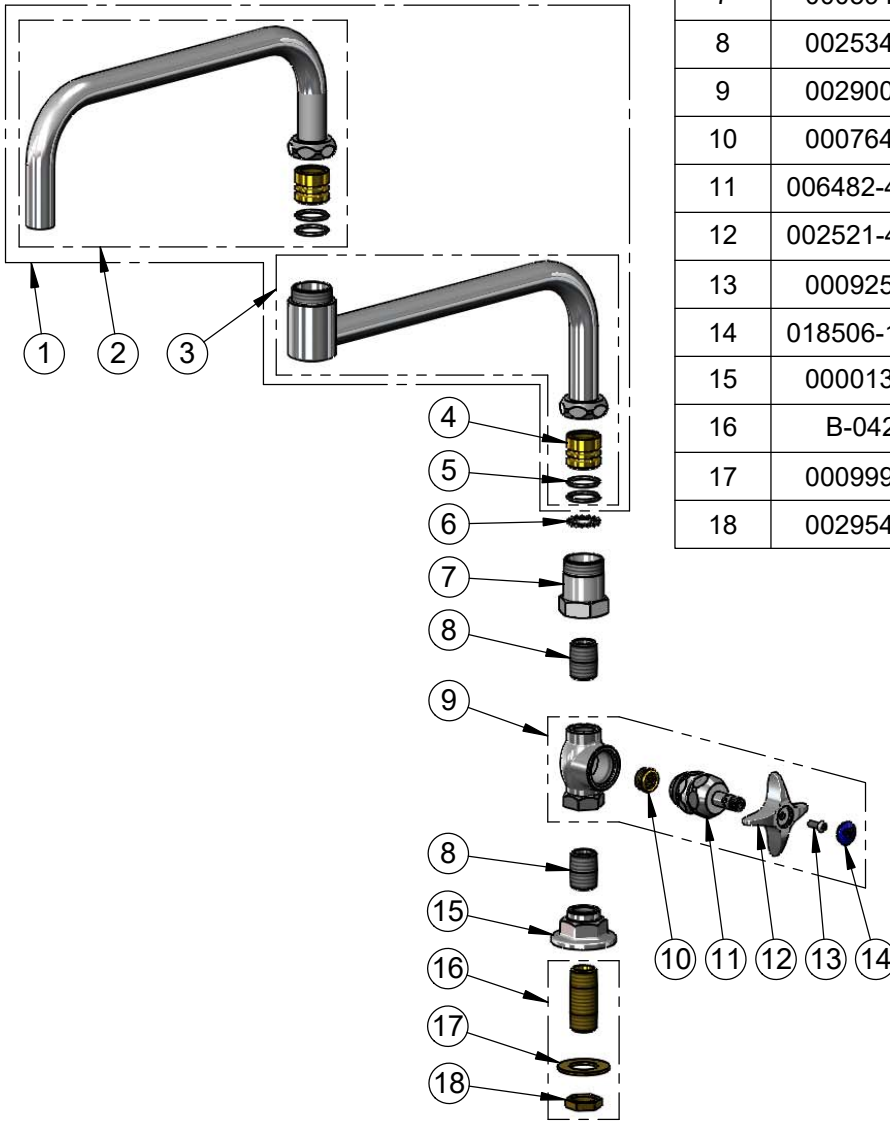
Model No.

**B-0298**

Item No.

Travelers Rest, SC: 800-476-4103 • Simi Valley, CA: 800-423-0150 • Fax: 864-834-3518 • www.tsbrass.com

ITEM NO.	SALES NO.	DESCRIPTION
1	116X	24" Big-Flo Double Joint Swing Nozzle
2	117X	12" Big-Flo Front Section
3	118X	12" Big-Flo Back Section
4	000847-20	Big-Flo Swivel Piece
5	001068-45	O-ring
6	016807-45	Serrated Lock Washer
7	000594-25	Swivel Body x 1/2-14 NPT
8	002534-25	Close Nipple, 1/2" NPT
9	002900-40	Valve Assembly w/ 4-Arm Handle
10	000764-20	Seat, Big-Flo
11	006482-40NS	Big-Flo Cartridge, RTC
12	002521-45NS	4-Arm Handle (New Style)
13	000925-45	Lab Handle Screw
14	018506-19NS	Blue Button Index, Press-in
15	000013-40	Flange, 1/2" NPT Wall Mount
16	B-0425	1/2" NPT Supply Nipple Kit
17	000999-45	Brass Lock Washer
18	002954-45	Shank Lock Nut



**Product Specifications:**

Single Hole Single Temperature Big-Flo Faucet, 4-Arm Handle, Big-Flo 24" Double Joint Swing Nozzle & 1/2" NPT Supply Nipple Kit

**Product Compliance:**

ASME A112.18.1 / CSA B125.1  
NSF 61 - Section 9  
NSF 372 (Low Lead Content)  
ANSI A117.1 (ADA)