



**T&S BRASS AND BRONZE WORKS, INC.**  
 2 Saddleback Cove / P.O. Box 1088  
 Travelers Rest, SC 29690

Model No.  
**B-0455**

Item No.

Travelers Rest, SC: 800-476-4103 • Simi Valley, CA: 800-423-0150 • Fax: 864-834-3518 • www.tsbrass.com

This Space for Architect/Engineer Approval

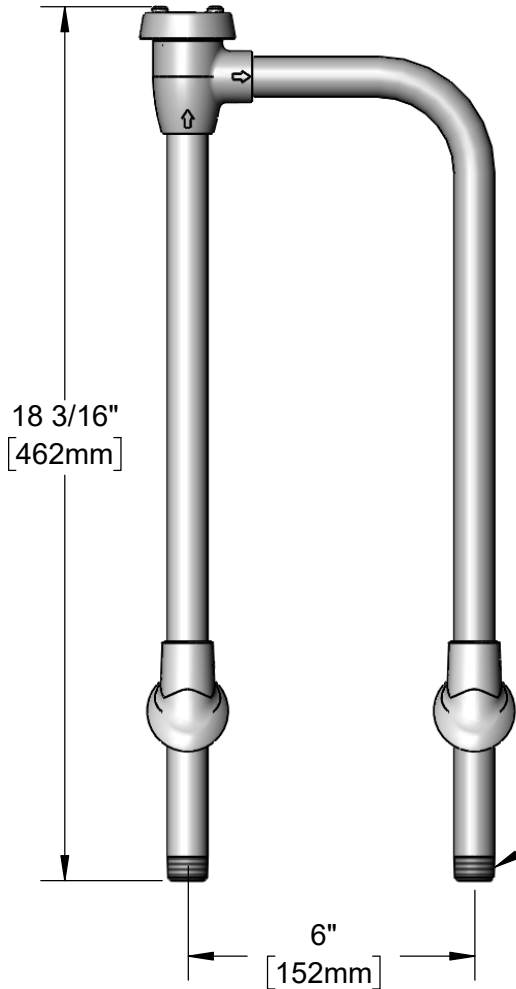
Job Name \_\_\_\_\_ Date \_\_\_\_\_

Model Specified \_\_\_\_\_ Quantity \_\_\_\_\_

Customer/Wholesaler \_\_\_\_\_

Contractor \_\_\_\_\_

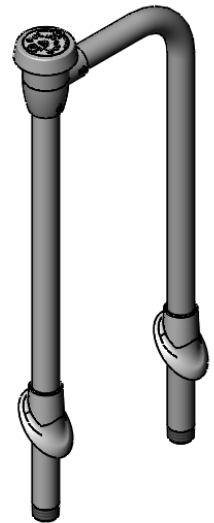
Architect/Engineer \_\_\_\_\_



B-0969  
 1/2" NPT  
 Vacuum  
 Breaker

Set Screw

1/2" NPT  
 Male Thread  
 TYP



**Rough-In Requirement:**  
 (2) Ø1 1/4" [32mm]  
 Hole in Center of 45°  
 Mounting Surface to Slip  
 1/2" Pipe Through

**Note:**  
 Pipe Must be Held Rigid Under Sink  
 by Connection Fittings, Brace, Etc.

**Product Specifications:**  
 1/2" NPT Vacuum Breaker Unit, 6" c/c

**Product Compliance:**  
 ASME A112.18.1 / CSA B125.1  
 NSF 61 - Section 9  
 NSF 372 (Low Lead Content)  
 ASSE 1001