



T&S BRASS AND BRONZE WORKS, INC.
 2 Saddleback Cove / P.O. Box 1088
 Travelers Rest, SC 29690

Model No.
B-0456-04

Item No.

Travelers Rest, SC: 800-476-4103 • Simi Valley, CA: 800-423-0150 • Fax: 864-834-3518 • www.tsbrass.com

This Space for Architect/Engineer Approval

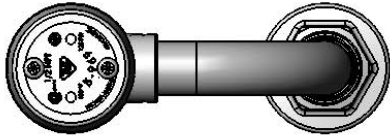
Job Name _____ Date _____

Model Specified _____ Quantity _____

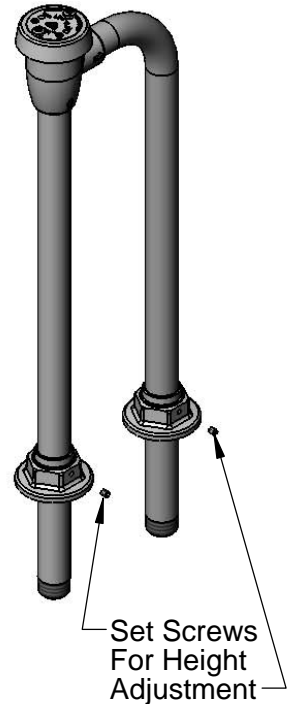
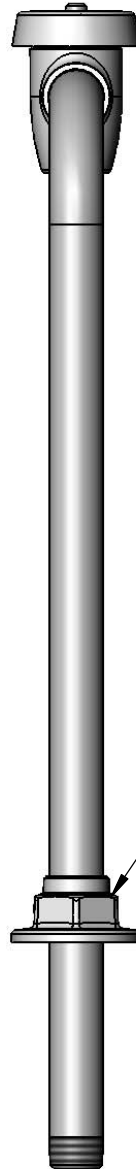
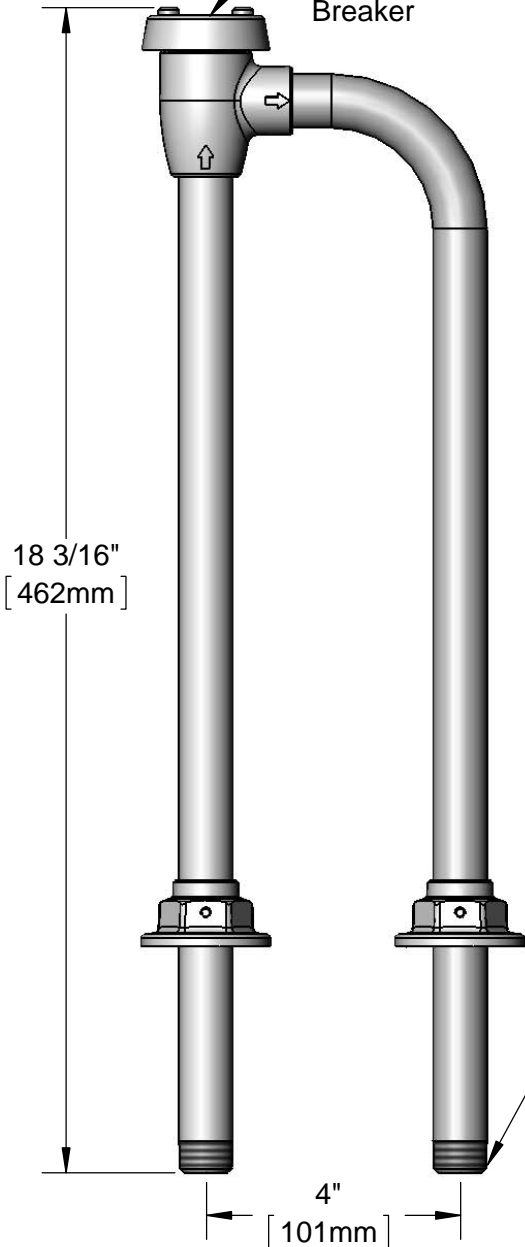
Customer/Wholesaler _____

Contractor _____

Architect/Engineer _____



B-0969
 1/2" NPT
 Vacuum
 Breaker



1/2" NPT
 Male Thread
 TYP.

Note:
 Pipe Must be Held
 Rigid Under Sink by
 Connection Fittings,
 Brace, Etc.

Rough-In Requirement:
 (2) Ø1 1/4" [32mm]
 Mounting Holes

Product Specifications:
 1/2" NPT Vacuum Breaker Unit, 4" c/c

Product Compliance:
 ASME A112.18.1 / CSA B125.1
 NSF 61 - Section 9
 NSF 372 (Low Lead Content)
 ASSE 1001