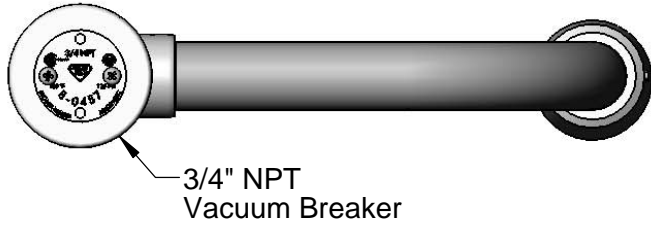


**T&S BRASS AND BRONZE WORKS, INC.**  
 2 Saddleback Cove / P.O. Box 1088  
 Travelers Rest, SC 29690

Model No.  
**B-0457**

Item No.

Travelers Rest, SC: 800-476-4103 • Simi Valley, CA: 800-423-0150 • Fax: 864-834-3518 • www.tsbrass.com



3/4" NPT  
 Vacuum Breaker

This Space for Architect/Engineer Approval

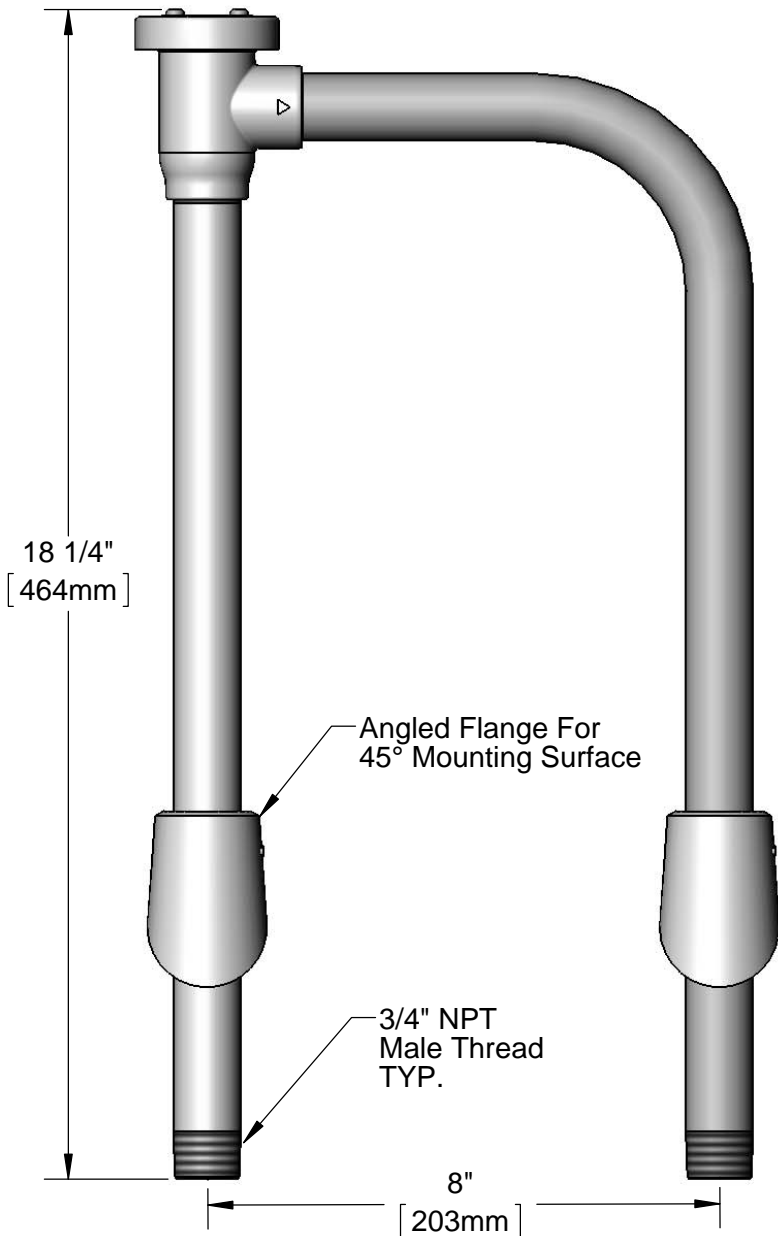
Job Name \_\_\_\_\_ Date \_\_\_\_\_

Model Specified \_\_\_\_\_ Quantity \_\_\_\_\_

Customer/Wholesaler \_\_\_\_\_

Contractor \_\_\_\_\_

Architect/Engineer \_\_\_\_\_

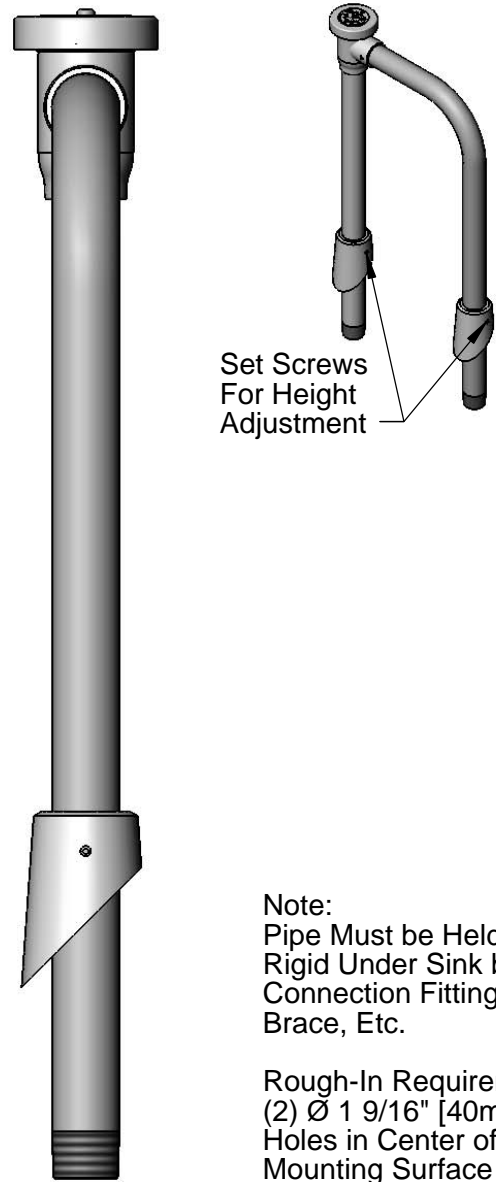


18 1/4"  
 [464mm]

Angled Flange For  
 45° Mounting Surface

3/4" NPT  
 Male Thread  
 TYP.

8"  
 [203mm]



Set Screws  
 For Height  
 Adjustment

Note:  
 Pipe Must be Held  
 Rigid Under Sink by  
 Connection Fittings,  
 Brace, Etc.

Rough-In Requirement:  
 (2) Ø 1 9/16" [40mm]  
 Holes in Center of 45°  
 Mounting Surface to  
 Slip 3/4" Pipe Through.

Product Specifications:  
 3/4" NPT Vacuum Breaker Unit, 8" c/c

Product Compliance:  
 ASME A112.18.1 / CSA B125.1  
 NSF 61 - Section 9  
 NSF 372 (Low Lead Content)  
 ASSE 1001