



T&S BRASS AND BRONZE WORKS, INC.

2 Saddleback Cove / P.O. Box 1088
Travelers Rest, SC 29690

Model No.

B-0473

Item No.

Travelers Rest, SC: 800-476-4103 • Simi Valley, CA: 800-423-0150 • Fax: 864-834-3518 • www.tsbrass.com

This Space for Architect/Engineer Approval

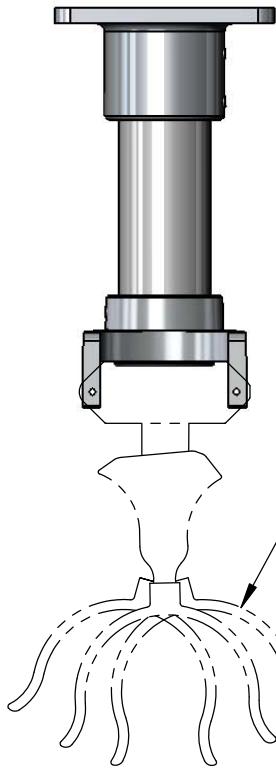
Job Name _____ Date _____

Model Specified _____ Quantity _____

Customer/Wholesaler _____

Contractor _____

Architect/Engineer _____



Note: Positions of Stirrup when Knee Valve (B-0475) is used.

Front of Basin

3 1/4" [83mm]
Stirrup
Extension

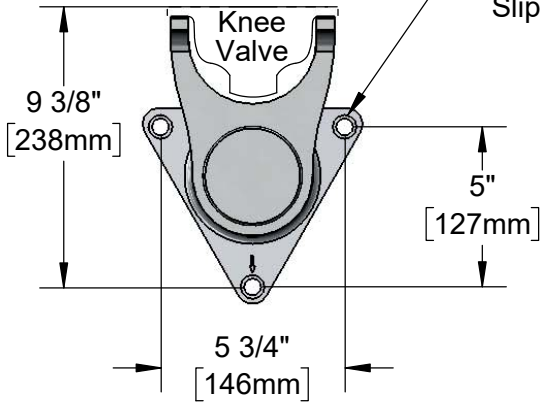
Ø 1/2" [13mm]
Slip Holes

20"
[508mm]
Basin Depth

12"
[305mm]
(Dimension "A")

B-0475
Knee Valve
(Sold
Separately)

Set Screws



Set Screws

Aluminum Pipe
(Field Adjustable)

Mounting Surface

Note:
1. Dimension "A" is based on 20" Basin Depth.

Product Specifications:
Knee Valve Wall Support

Product Compliance: