



T&S BRASS AND BRONZE WORKS, INC.

2 Saddleback Cove / P.O. Box 1088
Travelers Rest, SC 29690

Model No.

B-0504-01

Item No.

Travelers Rest, SC: 800-476-4103 • Simi Valley, CA: 800-423-0150 • Fax: 864-834-3518 • www.tsbrass.com

This Space for Architect/Engineer Approval

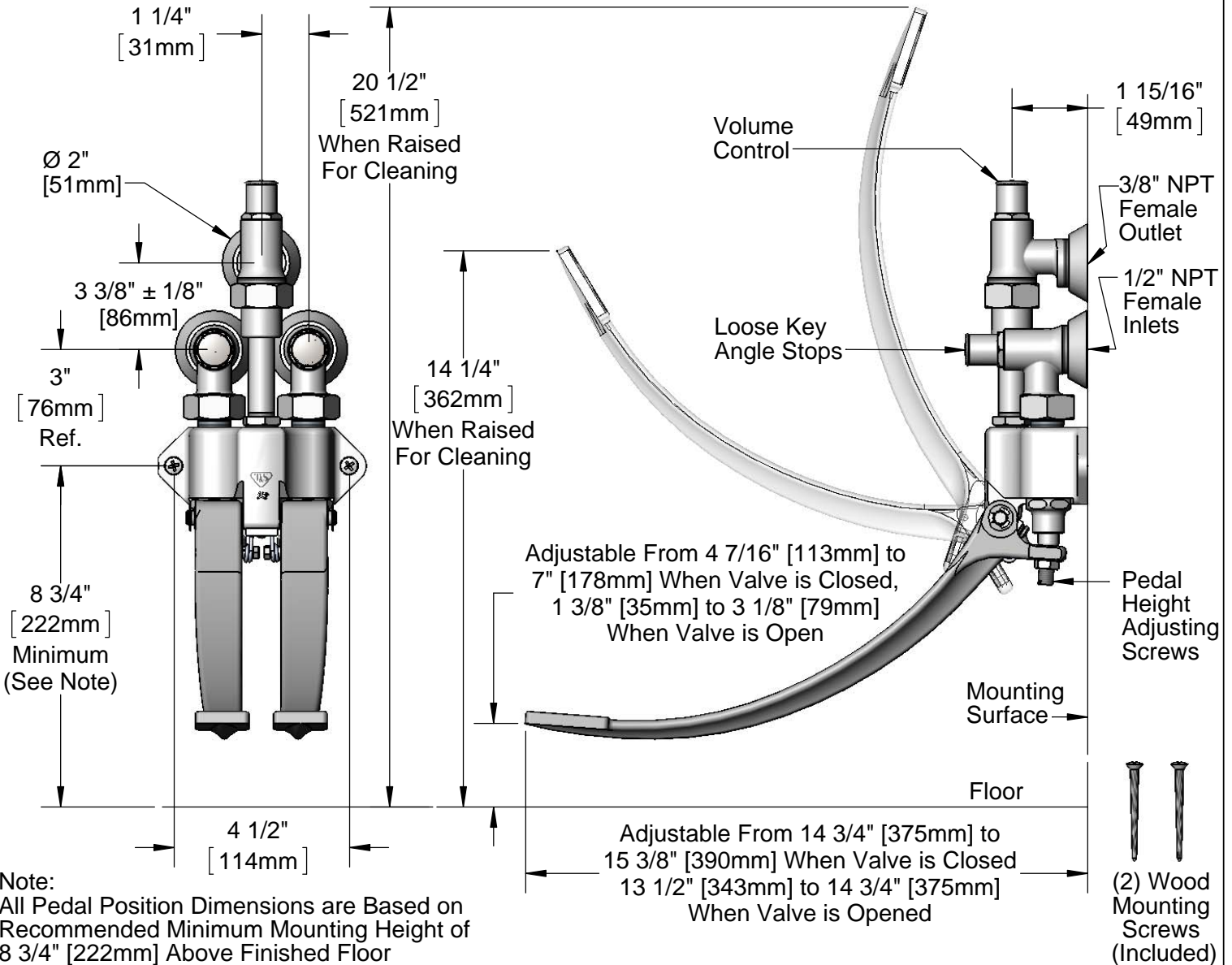
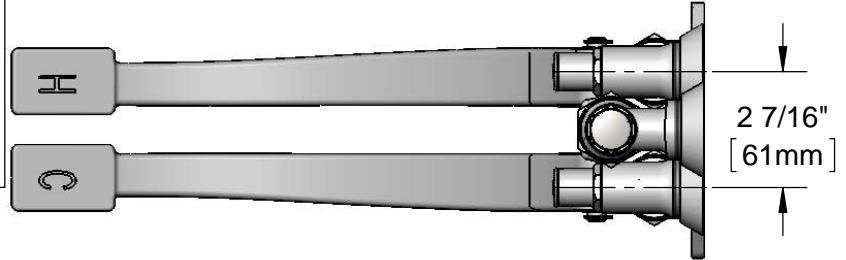
Job Name _____ Date _____

Model Specified _____ Quantity _____

Customer/Wholesaler _____

Contractor _____

Architect/Engineer _____



Product Specifications:
Double Pedal Valve w/ Loose Key Angle Stops & Angle Volume Control

Product Compliance:
ASME A112.18.1 / CSA B125.1
NSF 61 - Section 9
NSF 372 (Low Lead Content)



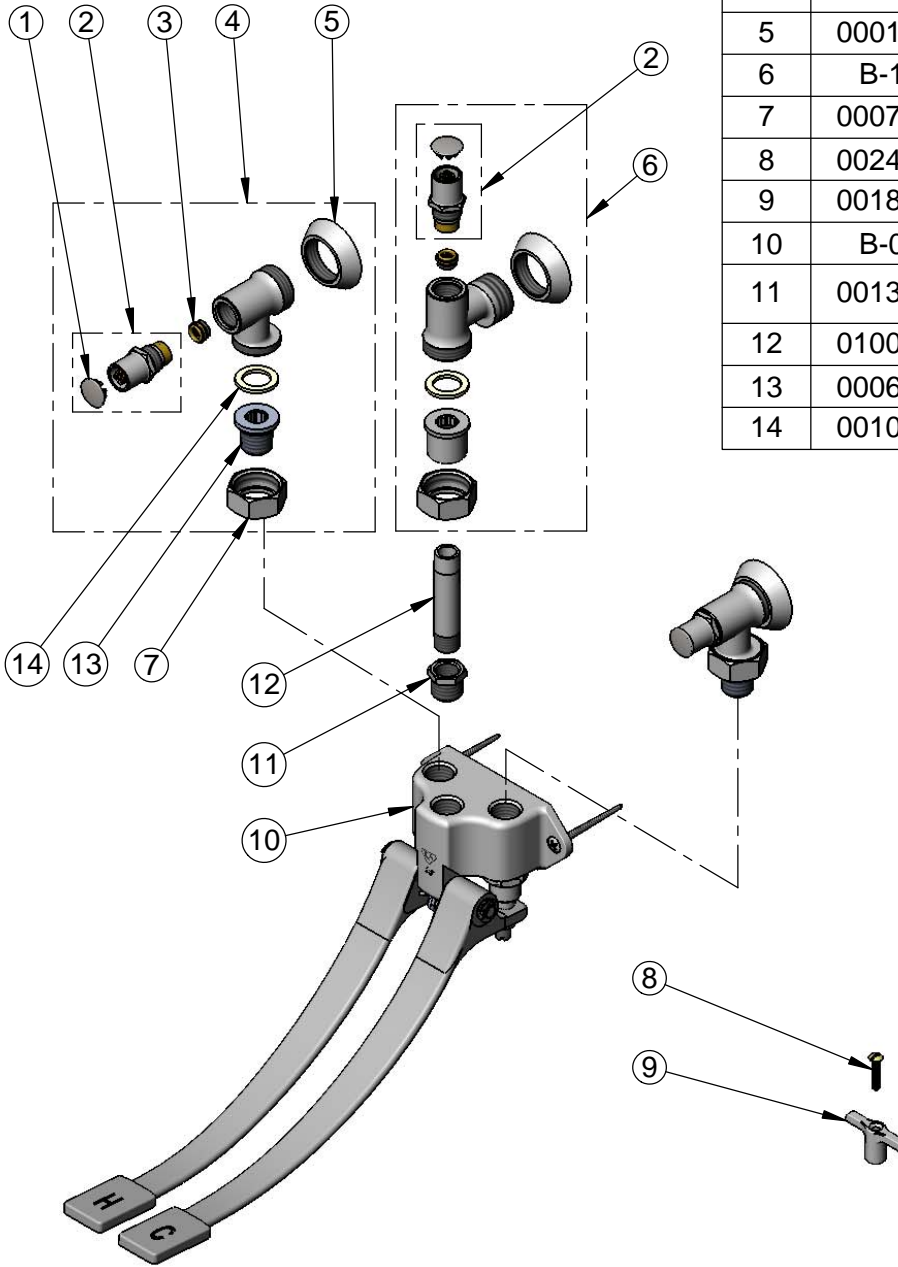
T&S BRASS AND BRONZE WORKS, INC.
 2 Saddleback Cove / P.O. Box 1088
 Travelers Rest, SC 29690

Model No.
B-0504-01

Item No.

Travelers Rest, SC: 800-476-4103 • Simi Valley, CA: 800-423-0150 • Fax: 864-834-3518 • www.tsbrass.com

ITEM NO.	SALES NO.	DESCRIPTION
1	001605-45	Cap
2	166A	Service Stop w/ Cap, T-Handle & Screw
3	000763-20	Seat
4	B-1350	Loose Key Angle Stop 1/2" NPT
5	000101-40	Flange
6	B-1355	Loose Key Angle Stop 3/8" NPT
7	000721-25	Flange Coupling Nut
8	002432-45	Screw, Tee Handle
9	001802-45	Handle, Supply Stop "T"
10	B-0504	Double Pedal Valve, Wall Mount
11	001359-40	Hex Bushing, 1/2" NPT Male x 3/8" NPT Female
12	010092-40	Nipple, 3/8" NPT x 4 1/4" Long
13	000688-25	Insert, 1/2 NPT Male Union
14	001019-45	Coupling Nut Washer



Product Specifications:
Double Pedal Valve w/ Loose Key Angle Stops & Angle Volume Control

Product Compliance:
 ASME A112.18.1 / CSA B125.1
 NSF 61 - Section 9
 NSF 372 (Low Lead Content)