



**T&S BRASS AND BRONZE WORKS, INC.**  
 2 Saddleback Cove / P.O. Box 1088  
 Travelers Rest, SC 29690

Model No.  
**B-0585**

Item No.

Travelers Rest, SC: 800-476-4103 • Simi Valley, CA: 800-423-0150 • Fax: 864-834-3518 • www.tsbrass.com

This Space for Architect/Engineer Approval

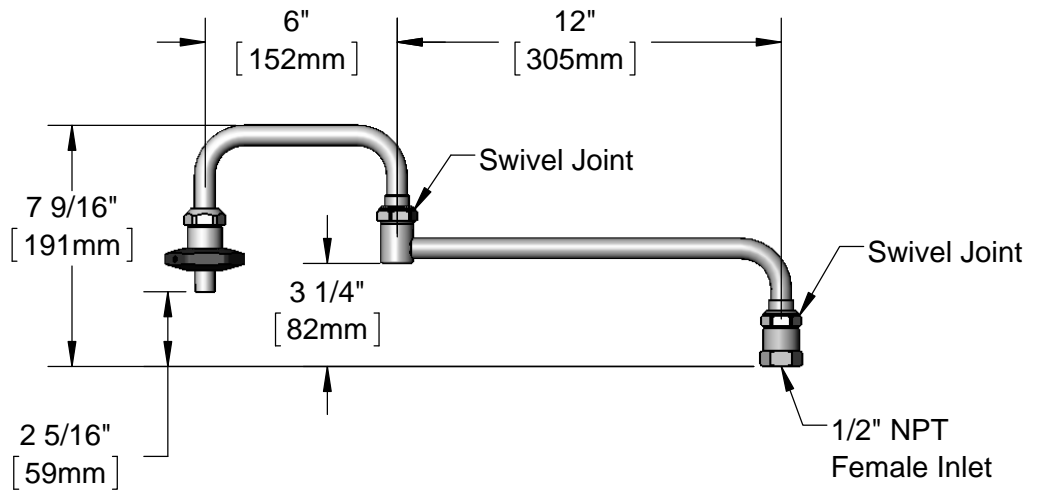
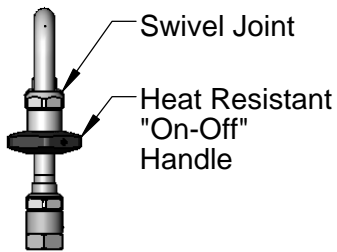
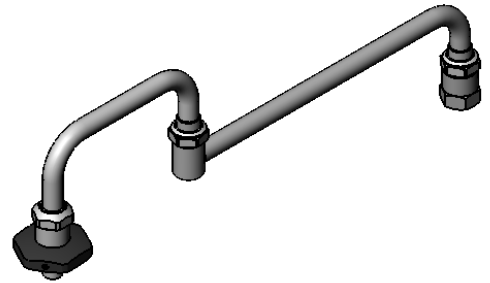
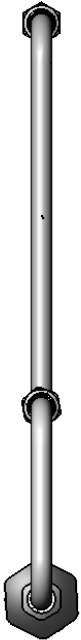
Job Name \_\_\_\_\_ Date \_\_\_\_\_

Model Specified \_\_\_\_\_ Quantity \_\_\_\_\_

Customer/Wholesaler \_\_\_\_\_

Contractor \_\_\_\_\_

Architect/Engineer \_\_\_\_\_



Product Specifications:  
 18" Swing Nozzle w/ Heat Resistant Handle, 12" Back Section, 6" Front Section & Swivel Body

Product Compliance:  
 ASME A112.18.1 / CSA B125.1  
 NSF 61 - Section 9  
 NSF 372 (Low Lead Content)



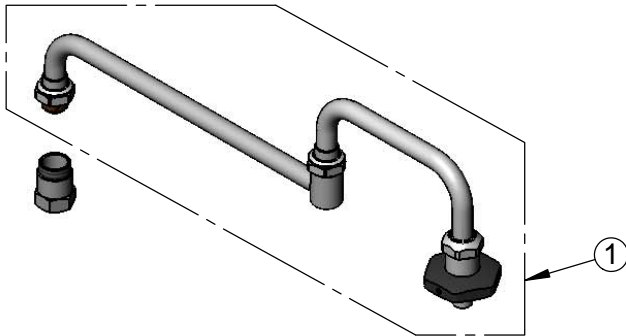
**T&S BRASS AND BRONZE WORKS, INC.**  
 2 Saddleback Cove / P.O. Box 1088  
 Travelers Rest, SC 29690

Model No.  
**B-0585**

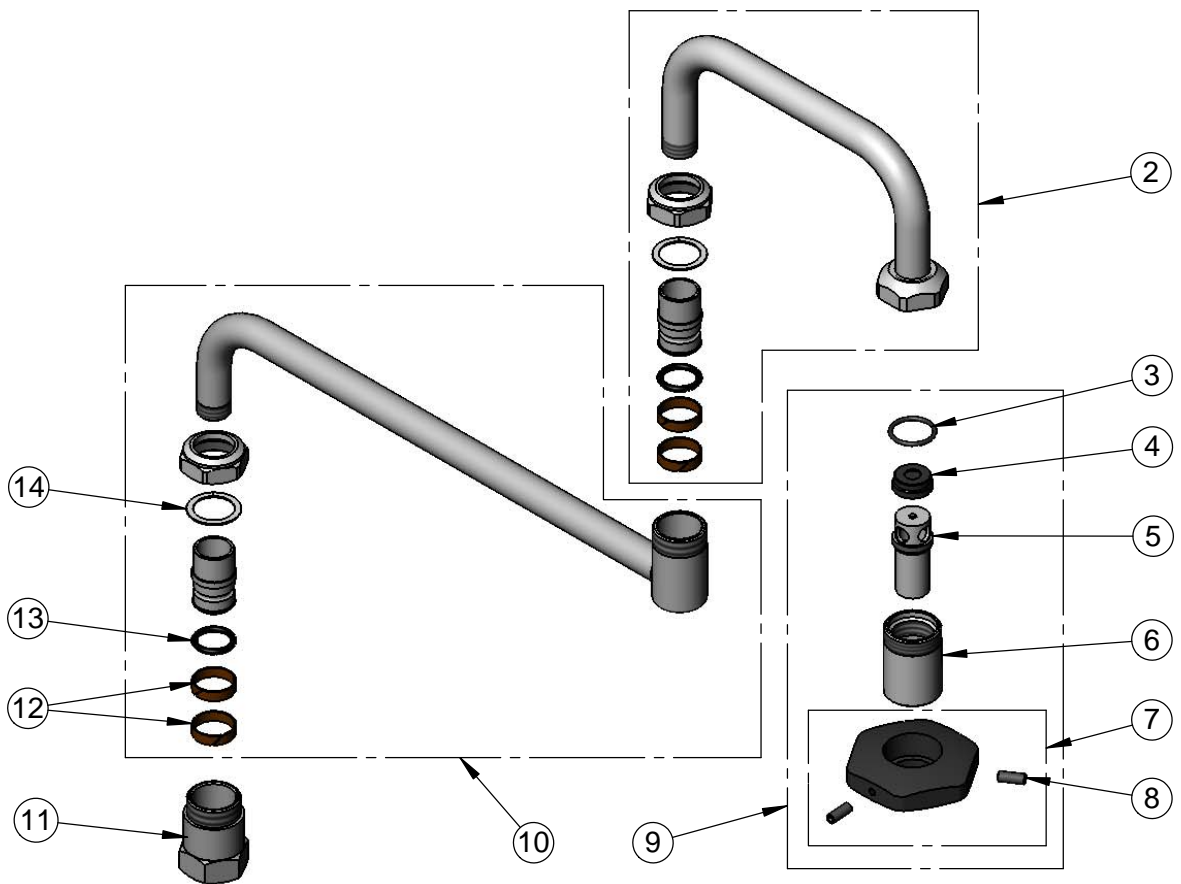
Item No.

Travelers Rest, SC: 800-476-4103 • Simi Valley, CA: 800-423-0150 • Fax: 864-834-3518 • www.tsbrass.com

| ITEM NO. | SALES NO. | DESCRIPTION              |
|----------|-----------|--------------------------|
| 1        | 002848-40 | 18" Double Joint Nozzle  |
| 2        | 002870-40 | 6" Front Section         |
| 3        | 003426-45 | O-Ring                   |
| 4        | 001089-45 | Seal                     |
| 5        | 001498-25 | Spout                    |
| 6        | 000587-25 | Spout Body               |
| 7        | 001126-20 | Handle w/ (2) Set Screws |
| 8        | 000936-45 | Handle Set Screw         |
| 9        | 035A      | Outlet                   |
| 10       | 002871-40 | 12" Back Section         |
| 11       | 000590-25 | Swivel Body              |
| 12       | 011429-45 | Swivel Sleeves (2)       |
| 13       | 001074-45 | O-Ring                   |
| 14       | 009538-45 | Swivel Washer            |



Additional View for Bill of Material Clarification



Product Specifications:  
 18" Swing Nozzle w/ Heat Resistant Handle, 12" Back Section, 6" Front Section & Swivel Body

Product Compliance:  
 ASME A112.18.1 / CSA B125.1  
 NSF 61 - Section 9  
 NSF 372 (Low Lead Content)