



T&S BRASS AND BRONZE WORKS, INC.
 2 Saddleback Cove / P.O. Box 1088
 Travelers Rest, SC 29690

Model No.
B-0594

Item No.

Travelers Rest, SC: 800-476-4103 • Simi Valley, CA: 800-423-0150 • Fax: 864-834-3518 • www.tsbrass.com

This Space for Architect/Engineer Approval

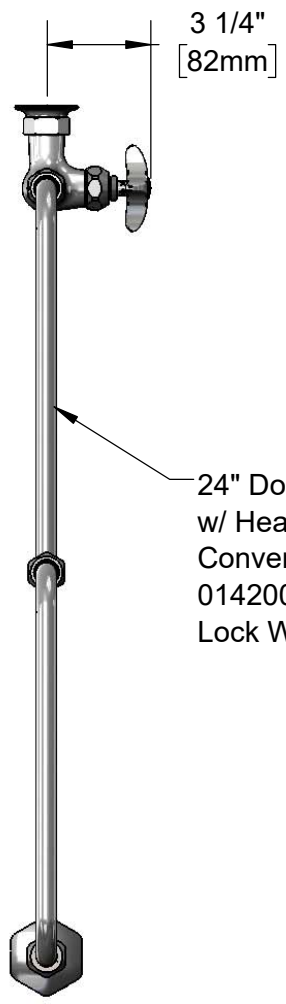
Job Name _____ Date _____

Model Specified _____ Quantity _____

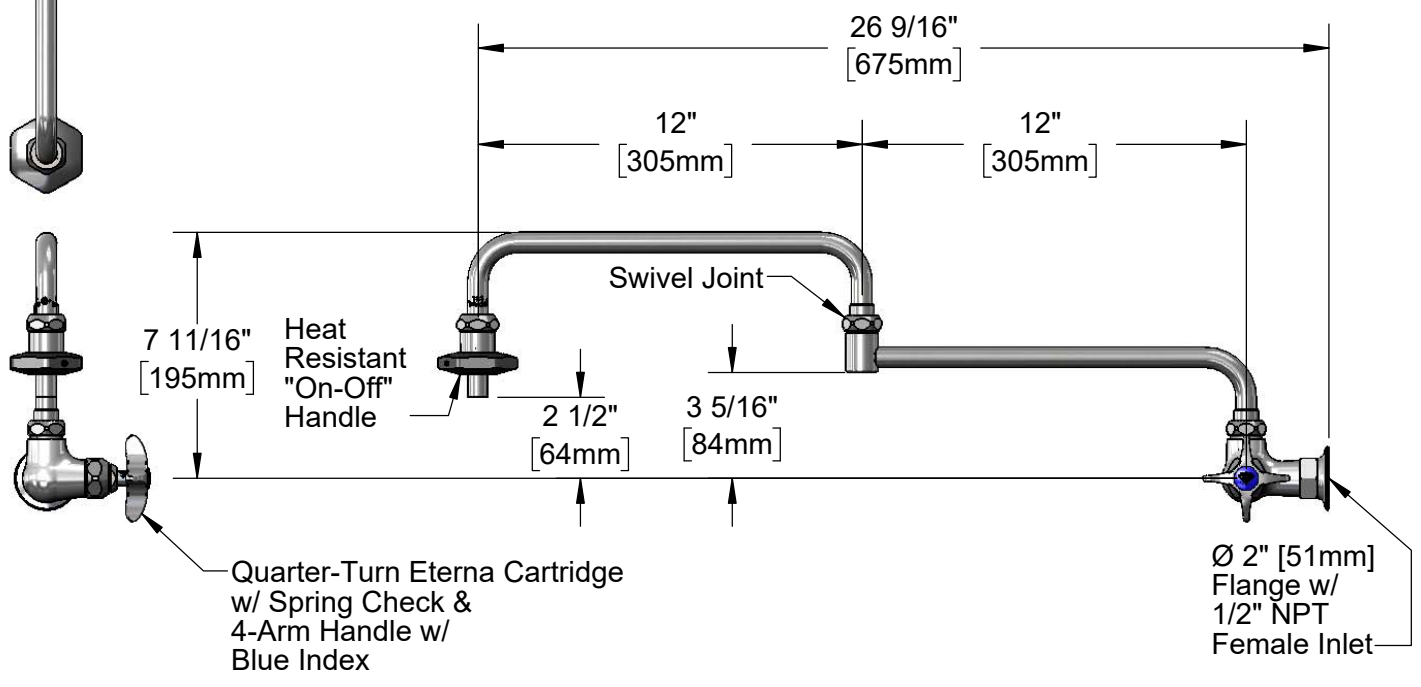
Customer/Wholesaler _____

Contractor _____

Architect/Engineer _____



24" Double Joint Swing Nozzle
 w/ Heat Resistant
 Handle.
 Converts to Rigid w/
 014200-45
 Lock Washer (Included)



Product Specifications:
 Pot Filler Faucet, Quarter-Turn Eterna Cartridge w/ Spring Check, 4-Arm Handle & Blue (CW) Index, 24" Double Joint Swing Nozzle, Heat Resistant Handle & 1/2" NPT Female Inlet

Product Compliance:
 ASME A112.18.1 / CSA B125.1
 NSF 61 - Section 9
 NSF 372 (Low Lead Content)



T&S BRASS AND BRONZE WORKS, INC.

2 Saddleback Cove / P.O. Box 1088
Travelers Rest, SC 29690

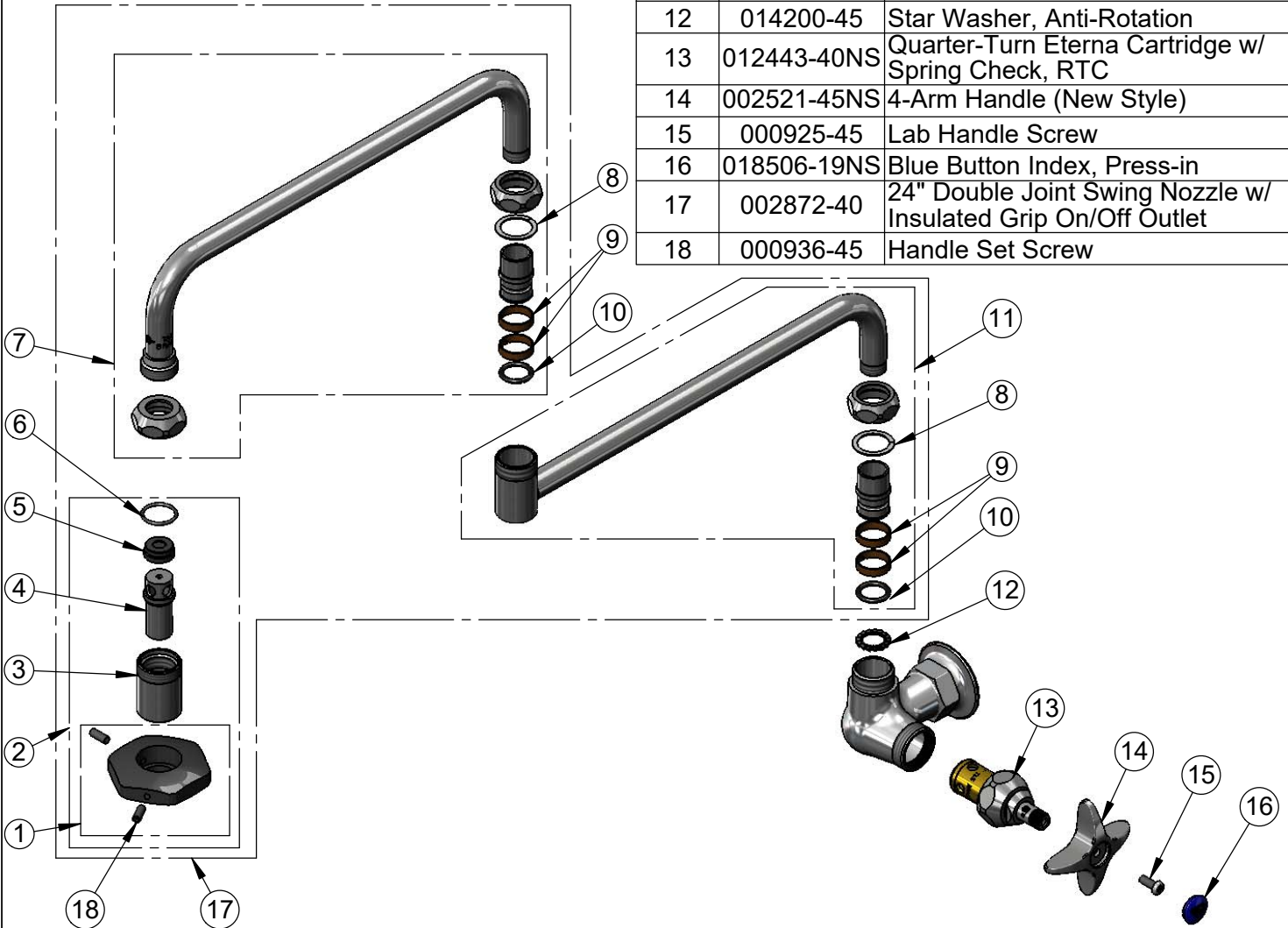
Model No.

B-0594

Item No.

Travelers Rest, SC: 800-476-4103 • Simi Valley, CA: 800-423-0150 • Fax: 864-834-3518 • www.tsbrass.com

ITEM NO.	SALES NO.	DESCRIPTION
1	001126-20	Handle w/ (2) Set Screws
2	035A	Outlet
3	000587-25	Spout Body
4	001498-25	Spout
5	001089-45	Seal
6	003426-45	O-Ring
7	002869-40	24" Double Joint Swing Nozzle, 12" Front Section
8	009538-45	Swivel Washer
9	011429-45	Swivel Sleeves (2)
10	001074-45	O-Ring
11	002871-40	24" Double Joint Swing Nozzle, 12" Back Section
12	014200-45	Star Washer, Anti-Rotation
13	012443-40NS	Quarter-Turn Eterna Cartridge w/ Spring Check, RTC
14	002521-45NS	4-Arm Handle (New Style)
15	000925-45	Lab Handle Screw
16	018506-19NS	Blue Button Index, Press-in
17	002872-40	24" Double Joint Swing Nozzle w/ Insulated Grip On/Off Outlet
18	000936-45	Handle Set Screw



Product Specifications:

Pot Filler Faucet, Quarter-Turn Eterna Cartridge w/ Spring Check, 4-Arm Handle & Blue (CW) Index, 24" Double Joint Swing Nozzle, Heat Resistant Handle & 1/2" NPT Female Inlet

Product Compliance:

ASME A112.18.1 / CSA B125.1
NSF 61 - Section 9
NSF 372 (Low Lead Content)