



T&S BRASS AND BRONZE WORKS, INC.
 2 Saddleback Cove / P.O. Box 1088
 Travelers Rest, SC 29690

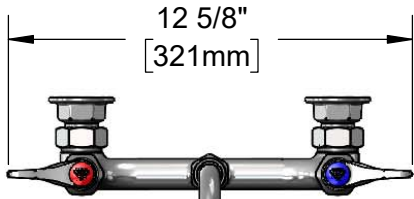
Model No.
B-0597

Item No.

Travelers Rest, SC: 800-476-4103 • Simi Valley, CA: 800-423-0150 • Fax: 864-834-3518 • www.tsbrass.com

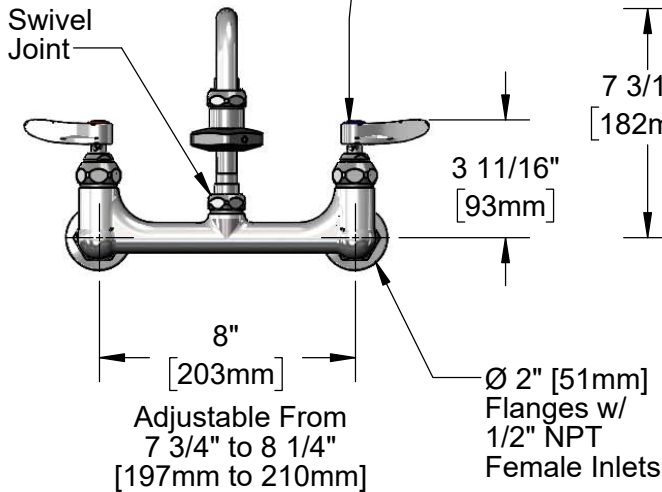
This Space for Architect/Engineer Approval

Job Name _____ Date _____
 Model Specified _____ Quantity _____
 Customer/Wholesaler _____
 Contractor _____
 Architect/Engineer _____



12 5/8"
 [321mm]

18" Double Joint
 Swing Nozzle
 w/ Heat Resistant Handle
 Converts to Rigid w/
 014200-45
 Lock Washer (Included).



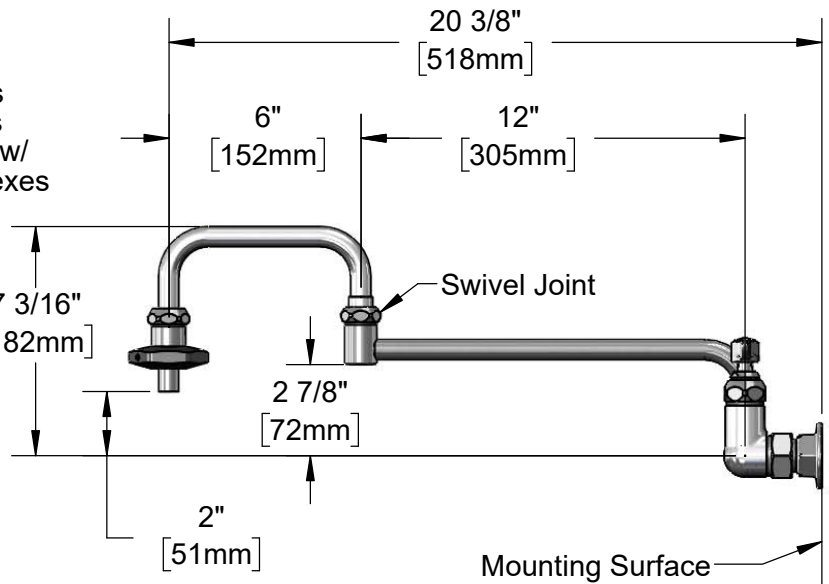
Quarter-Turn
 Eterna Cartridges
 w/ Spring Checks
 & Lever Handles w/
 Color Coded Indexes

Swivel
 Joint

3 11/16"
 [93mm]

8"
 [203mm]
 Adjustable From
 7 3/4" to 8 1/4"
 [197mm to 210mm]

Ø 2" [51mm]
 Flanges w/
 1/2" NPT
 Female Inlets



20 3/8"
 [518mm]

6"
 [152mm]

12"
 [305mm]

7 3/16"
 [182mm]

Swivel
 Joint

2 7/8"
 [72mm]

2"
 [51mm]

Mounting Surface

Product Specifications:

8" Pot Filler Mixing Faucet, Quarter-Turn Eterna Cartridges w/ Spring Checks, Lever Handles, 18" Double Joint Swing Nozzle, Heat Resistant Handle & 1/2" NPT Female Inlets

Product Compliance:

ASME A112.18.1 / CSA B125.1
 NSF 61 - Section 9
 NSF 372 (Low Lead Content)



T&S BRASS AND BRONZE WORKS, INC.

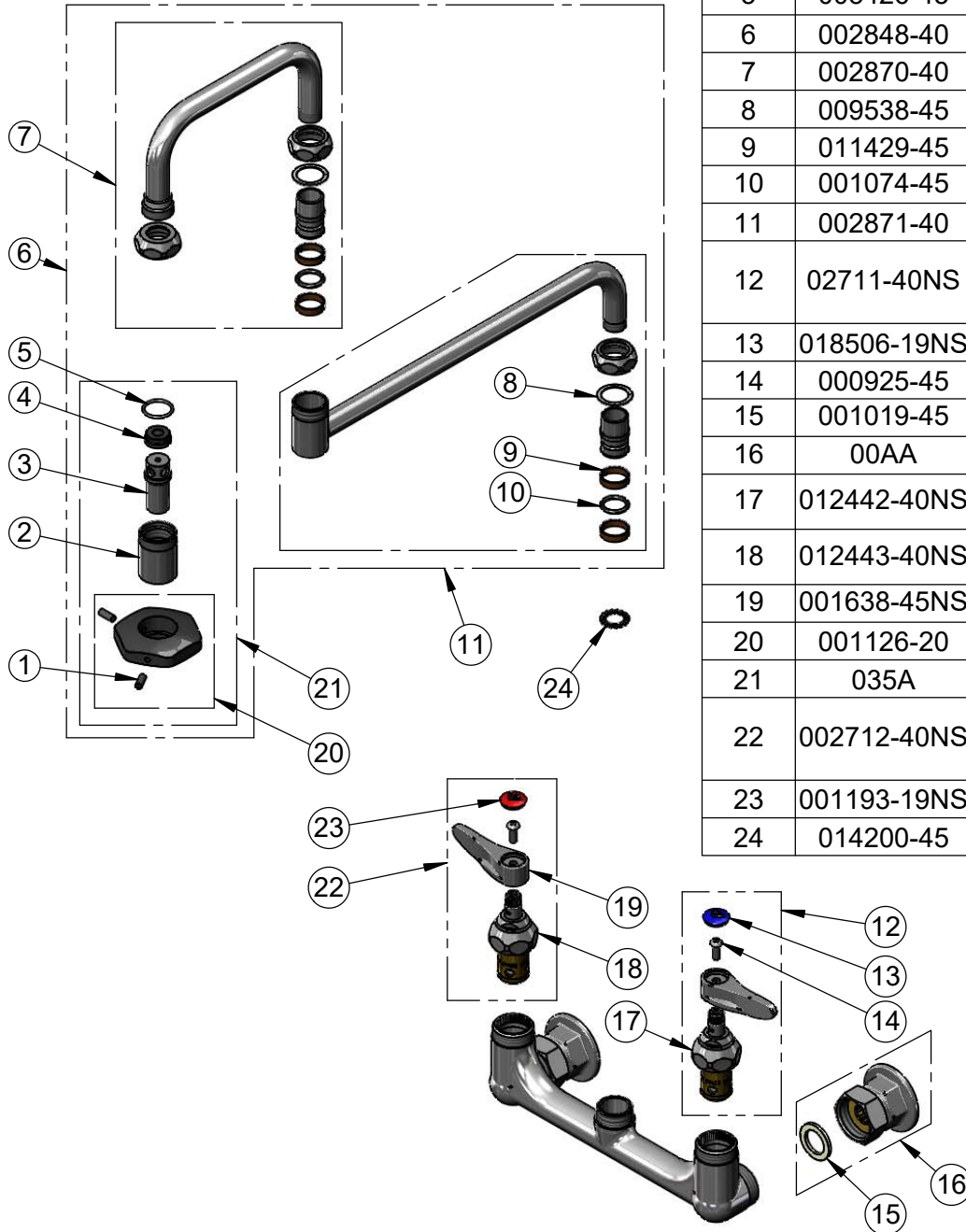
2 Saddleback Cove / P.O. Box 1088
Travelers Rest, SC 29690

Model No.

B-0597

Item No.

Travelers Rest, SC: 800-476-4103 • Simi Valley, CA: 800-423-0150 • Fax: 864-834-3518 • www.tsbrass.com



ITEM NO.	SALES NO.	DESCRIPTION
1	000936-45	Handle Set Screw
2	000587-25	Spout Body
3	001498-25	Spout
4	001089-45	Seal
5	003426-45	O-Ring
6	002848-40	18" Double Joint Nozzle
7	002870-40	6" Front Section
8	009538-45	Swivel Washer
9	011429-45	Swivel Sleeves (2)
10	001074-45	O-Ring
11	002871-40	12" Back Section
12	02711-40NS	Quarter-Turn Eterna Cartridge, LTC w/ Spring Check, Handle, Blue Index & Screw
13	018506-19NS	Blue Button Index, Press-in
14	000925-45	Lab Handle Screw
15	001019-45	Coupling Nut Washer
16	00AA	1/2" NPT Female Eccentric Flange
17	012442-40NS	Quarter-Turn Eterna Cartridge, LTC w/ Spring Check
18	012443-40NS	Quarter-Turn Eterna Cartridge, RTC w/ Spring Check
19	001638-45NS	Lever Handle (New Style)
20	001126-20	Handle w/ (2) Set Screws
21	035A	Outlet
22	002712-40NS	Quarter-Turn Eterna Cartridge, RTC w/ Spring Check, Handle, Red Index & Screw
23	001193-19NS	Red Button Index, Press-in
24	014200-45	Star Washer, Anti-Rotation

Product Specifications:

8" Pot Filler Mixing Faucet, Quarter-Turn Eterna Cartridges w/ Spring Checks, Lever Handles, 18" Double Joint Swing Nozzle, Heat Resistant Handle & 1/2" NPT Female Inlets

Product Compliance:

ASME A112.18.1 / CSA B125.1
NSF 61 - Section 9
NSF 372 (Low Lead Content)