



T&S BRASS AND BRONZE WORKS, INC.
 2 Saddleback Cove / P.O. Box 1088
 Travelers Rest, SC 29690

Model No.
B-0610-JJ

Item No.

Travelers Rest, SC: 800-476-4103 • Simi Valley, CA: 800-423-0150 • Fax: 864-834-3518 • www.tsbrass.com

This Space for Architect/Engineer Approval

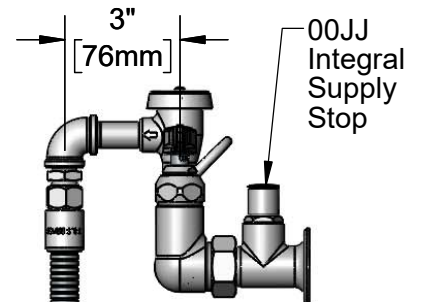
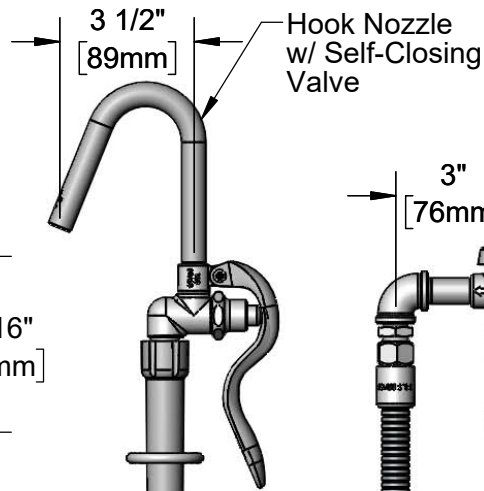
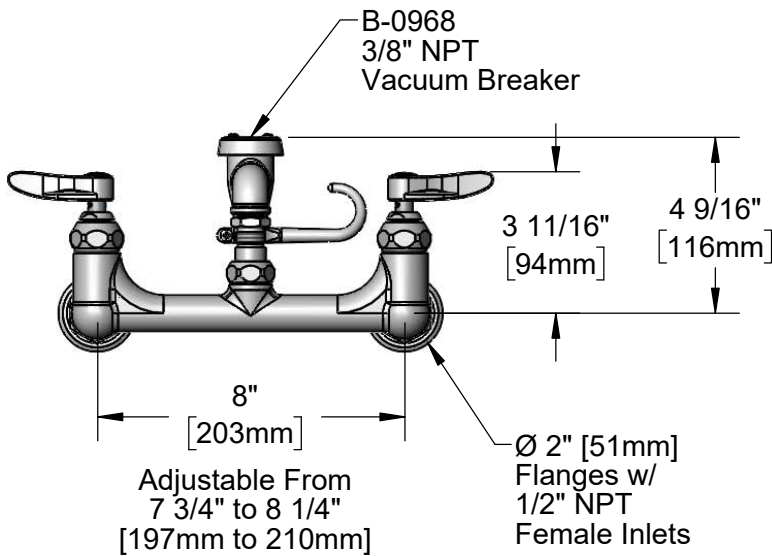
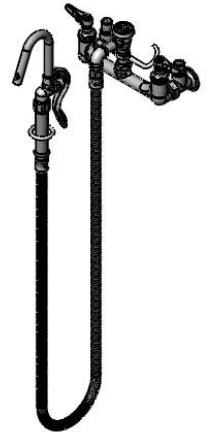
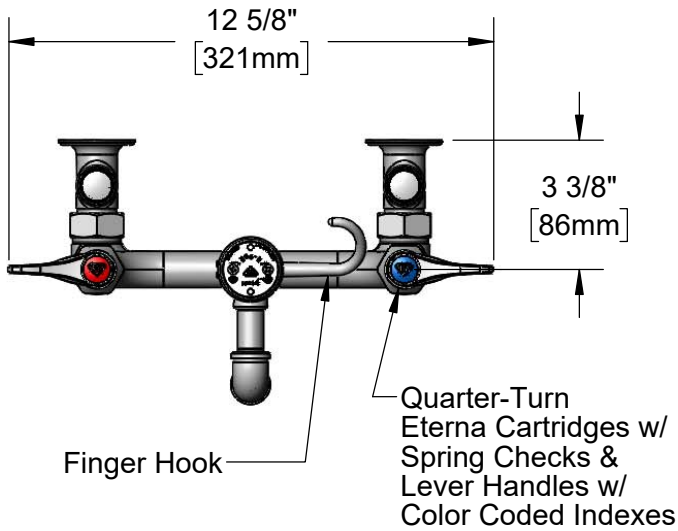
Job Name _____ Date _____

Model Specified _____ Quantity _____

Customer/Wholesaler _____

Contractor _____

Architect/Engineer _____



68" Flexible Stainless Steel Hose

Product Specifications:

Kettle & Pot Filler Wall Mount Mixing Faucet, Quarter-Turn Eterna Cartridges w/ Spring Checks, Lever Handles, 3/8" NPT Vacuum Breaker, 68" Flexible Stainless Steel Hose, Spray Valve w/ Hook Nozzle & 1/2" NPT Female Inlets w/ Integral Stops

Product Compliance:

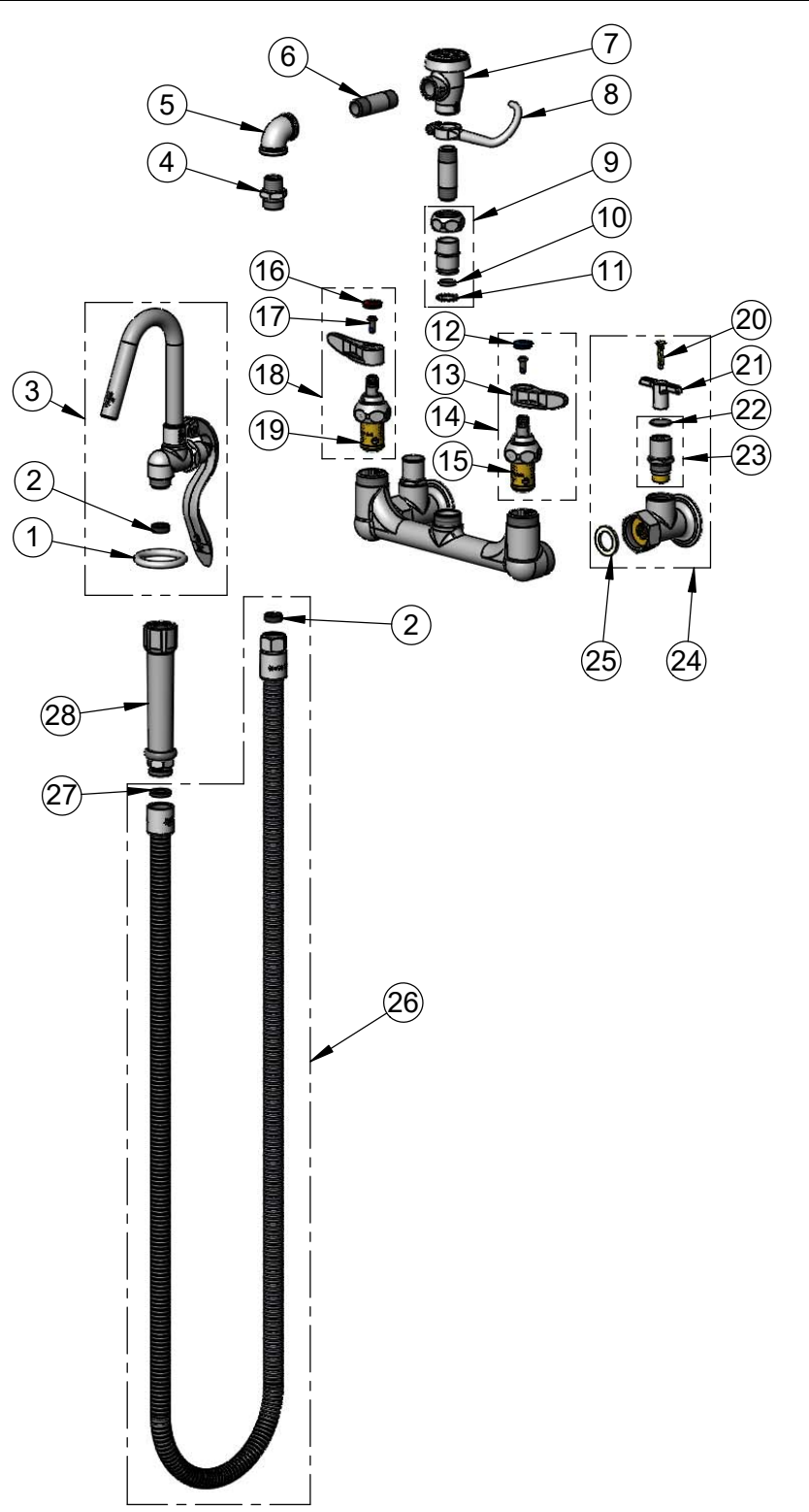
ASME A112.18.1 / CSA B125.1
 NSF 61 - Section 9
 NSF 372 (Low Lead Content)
 ASSE 1001 (VB)
 2019 DOE PRSV Non-Compliant



T&S BRASS AND BRONZE WORKS, INC.
 2 Saddleback Cove / P.O. Box 1088
 Travelers Rest, SC 29690

Model No.
B-0610-JJ
 Item No.

Travelers Rest, SC: 800-476-4103 • Simi Valley, CA: 800-423-0150 • Fax: 864-834-3518 • www.tsbrass.com



ITEM NO.	SALES NO.	DESCRIPTION
1	000907-45	Spray Valve Hold Down Ring
2	010476-45	#27 Washer
3	002851-40	Spray Valve w/ Hook Nozzle
4	053A	Adapter, 3/8" NPT x 3/4-14UN
5	001355-40	Elbow, 3/8 NPT
6	000357-40	Nipple, 3/8" NPT x 2"
7	B-0968	3/8" NPT Vacuum Breaker
8	004R	Finger Hook
9	EZ-K	EasyInstall Kit
10	001065-45	O-Ring
11	014200-45	Star Washer, Anti-Rotation
12	018506-19NS	Blue Button Index, Press-in
13	001638-45NS	Lever Handle (New Style)
14	002711-40NS	Quarter-Turn Eterna Cartridge w/ Check Valve, Handle, Blue Index & Screw, LTC
15	012442-40NS	Quarter-Turn Eterna Cartridge w/ Check Valve, LTC
16	001193-19NS	Red Button Index, Press-in
17	000925-45	Lab Handle Screw
18	002712-40NS	Quarter-Turn Eterna Cartridge w/ Check Valve, Handle, Red Index & Screw, RTC
19	012443-40NS	Quarter-Turn Eterna Cartridge w/ Check Valve, RTC
20	002432-45	Screw, Tee Handle
21	001802-45	Handle, Supply Stop "T"
22	001605-45	Cap
23	002892-40	Spindle Assembly w/ Cap
24	00JJ	1/2" NPT Female Inlet w/ Loose Key Stop
25	001019-45	Coupling Nut Washer
26	B-0068-H2A	68" Flexible Stainless Steel Hose, Less Handle
27	001014-45	Washer, B-0100 Hose Barrel
28	002987-40	Grip Handle

Product Specifications:
 Kettle & Pot Filler Wall Mount Mixing Faucet, Quarter-Turn Eterna Cartridges w/ Spring Checks, Lever Handles, 3/8" NPT Vacuum Breaker, 68" Flexible Stainless Steel Hose, Spray Valve w/ Hook Nozzle & 1/2" NPT Female Inlets w/ Integral Stops

Product Compliance:
 ASME A112.18.1 / CSA B125.1
 NSF 61 - Section 9
 NSF 372 (Low Lead Content)
 ASSE 1001 (VB)
 2019 DOE PRSV Non-Compliant